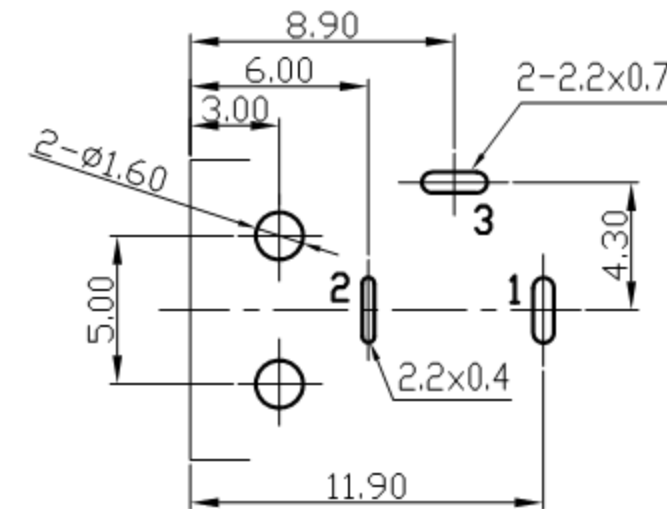
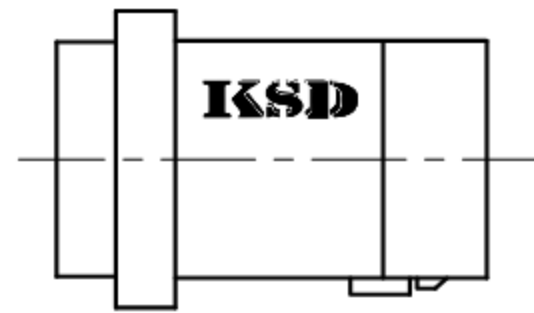
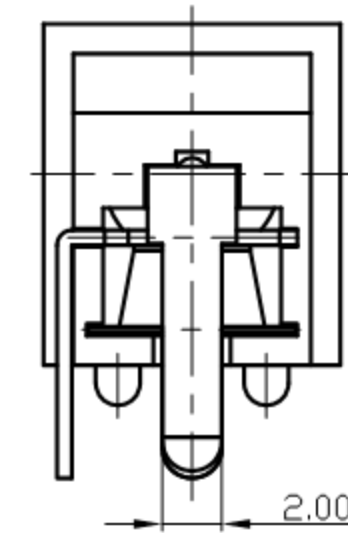
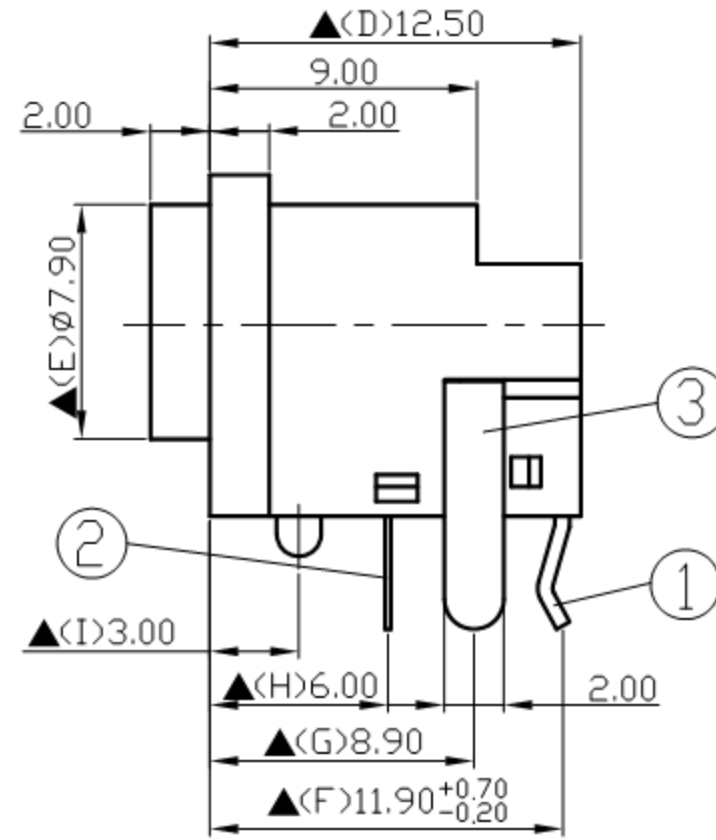
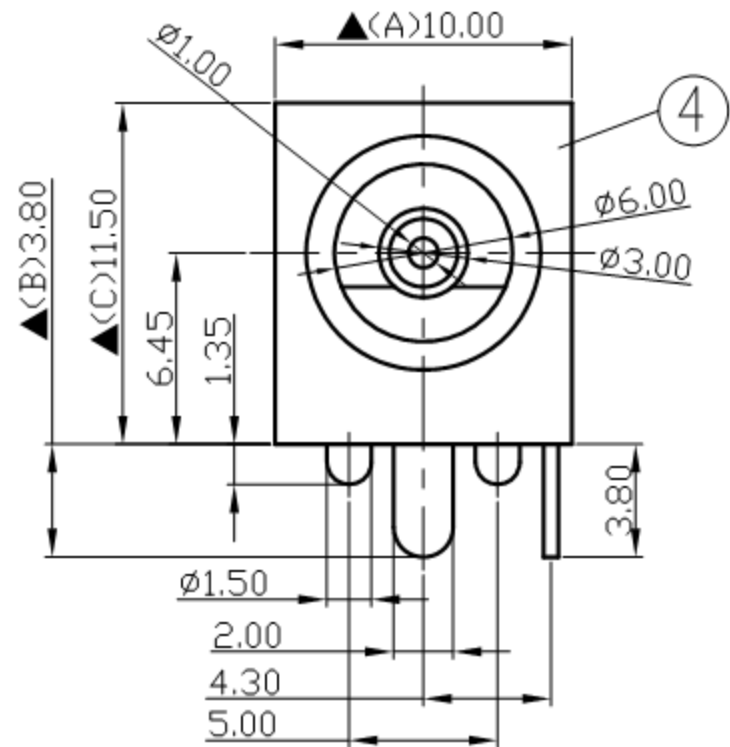


SCHEMATIC	
MODEL NO	C



Pin Hole Layout
(Jack Bottom View)

4.	Housing	PBT+15%	1	Black Color
3.	Break Terminal	0.5T Brass	1	Silver Plated
2.	Ring Spring	0.2T Phosphor Bronze	1	Silver Plated
1.	Pin Terminal	0.5T Brass	1	Silver Plated
NO.	Description	Material	Q'TY	Finish

	广东科斯达电子科技有限公司 GUANG DONG KE SI DA ELECTRONIC TECHNOLOGY CO., LTD.	DATE	DWN	CHKD	APVD	MANAGER
		10.07.2021	王平華			

PART NAME: DC POWER JACK	PART NUMBER:SCD460ECS000B00G	VERSION:6.0
TOLERANCE:±0.3mm UNLESS OTHERWISE SPECIFIED		UNIT:mm
		SCALE:1/1

SPECIFICATIONS:
 Contact Resistance :30mΩ max
 Current Rating : Max 5.0A ,24VDC
 Insulation Resistance :100MΩ min.at DC500V
 Dielectric Withstand Voltage :AC 500V for one minute
 Remark:▲ The Most Important Dimension

For Redference
僅供參考

RoHS&SVHC
Compliant