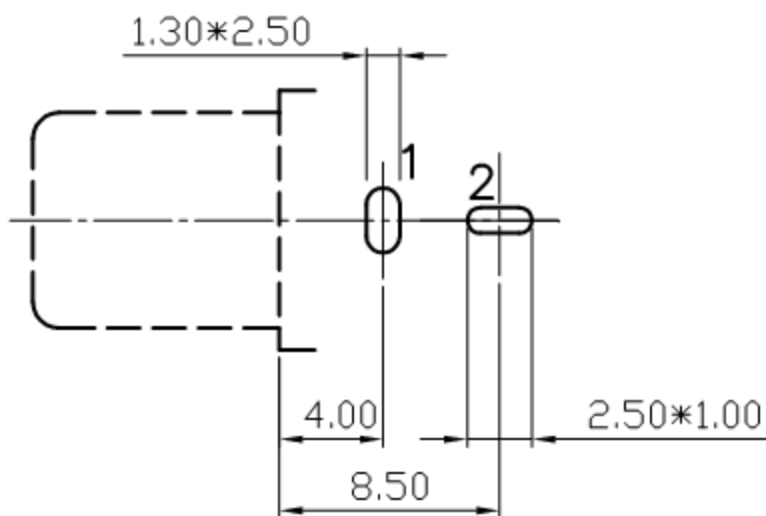
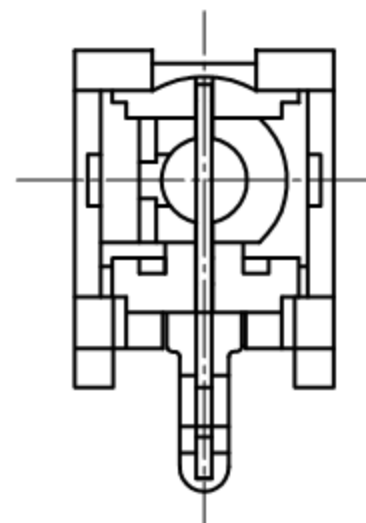
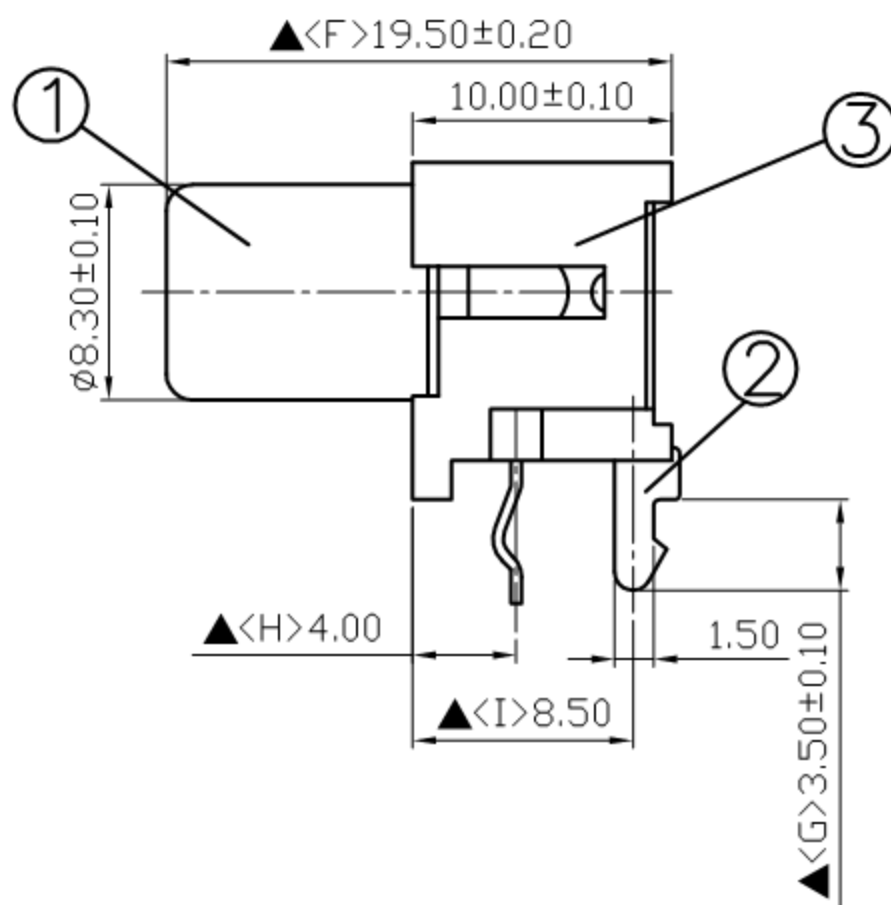
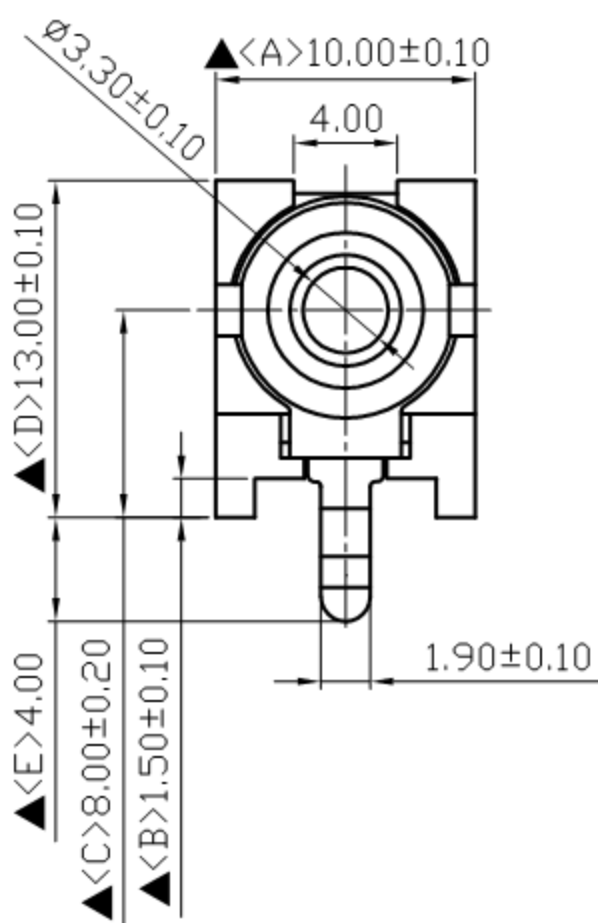
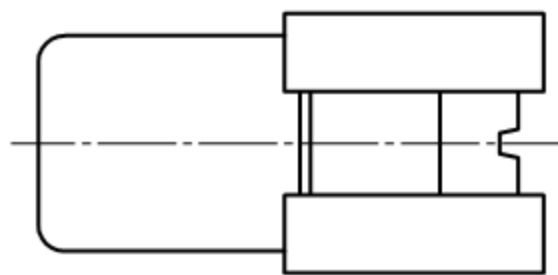


SCHEMATIC		
MODEL NO	U	



Pin Hole Layout
(Jack Bottom View)

RoHS
Compliant

For Reference
僅供參考

3.	Housing	PBT	1	Black Color
2.	Pin	0.6T Brass	1	Silver Plated
1.	Earth Terminal	0.4T Brass	1	Nickel Plated
NO.	Description	Material	Q'TY	Finish

SPECIFICATIONS:

Contact Resistance : 30mΩ max
 Insulation Resistance : 100MΩ min. at DC 500V
 Dielectric Withstanding Voltage: AC 500V for one minute
 Remark: ▲: The Most Important Dimension

	广东科斯达电子科技有限公司 GUANG DONG KE SI DA ELECTRONIC TECHNOLOGY CO., LTD.	DATE	DWN	CHKD	APVD	MANAGER
		08.11.2006				

PART NAME : PIN JACK	PART NUMBER: SCP624UNS100000G	VERSION:2.0
----------------------	-------------------------------	-------------

TOLERANCE : ±0.3mm UNLESS OTHERWISE SPECIFIED	UNIT:mm	SCALE:1/1
---	---------	-----------