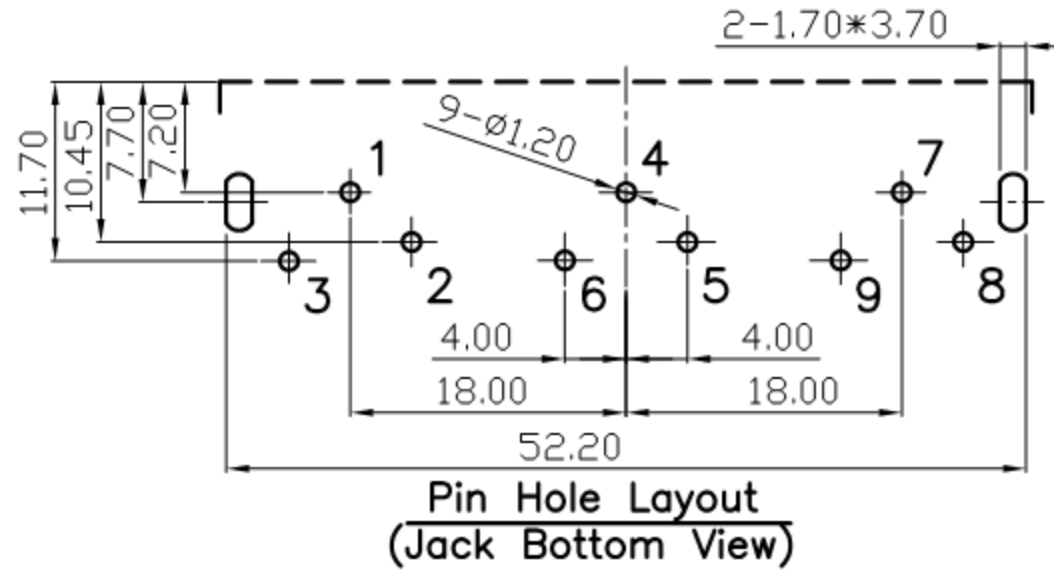


8.	Metal Plate	0.2T Brass	3	Nickel Plated
7.	Washer	PBT	3	White Color
6.	Washer	PBT	3	Red Color
5.	Cover	ABS	3	Black Color
4.	Base	ABS	1	White Color
3.	Terminal T	0.5T Brass	3	Silver Plated
2.	Terminal D	0.5T Brass	3	Silver Plated
1.	Earth Terminal(Barrel)	0.5T Brass	3	Nickel Plated
NO.	Description	Material	Q'TY	Finish



广东科斯达电子科技有限公司 GUANG DONG KE SI DA ELECTRONIC TECHNOLOGY CO., LTD.	DATE	DWN	CHKD	APVD	MANAGER
	09.06.2006				

PART NAME : PIN JACK	PART NUMBER: SCP6823NS323232G	VERSION:4.0
TOLERANCE :±0.3mm UNLESS OTHERWISE SPECIFIED	UNIT:mm	SCALE:1/1

RoHS Compliant For Reference
 僅供參考

SPECIFICATIONS:
 Contact Resistance : 30mΩ max
 Insulation Resistance : 100MΩ min. at DC 500V
 Dielectric Withstanding Voltage: AC 500V for one minute
 Remark: ▲: The Most Important Dimension