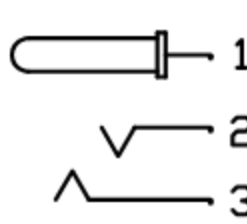
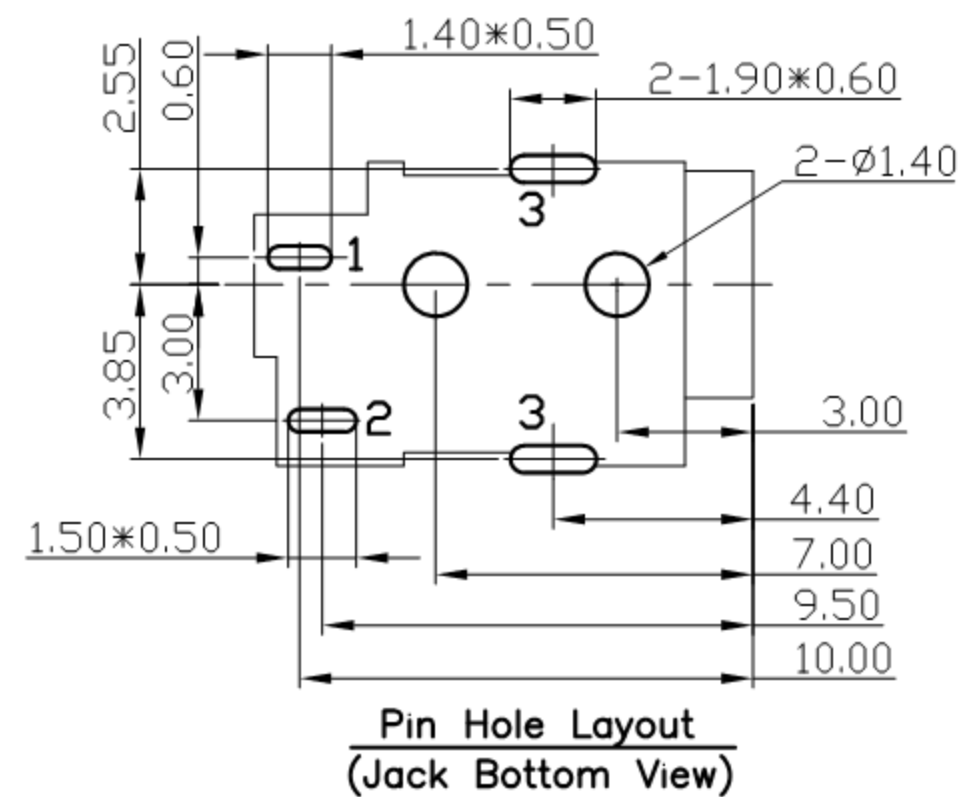
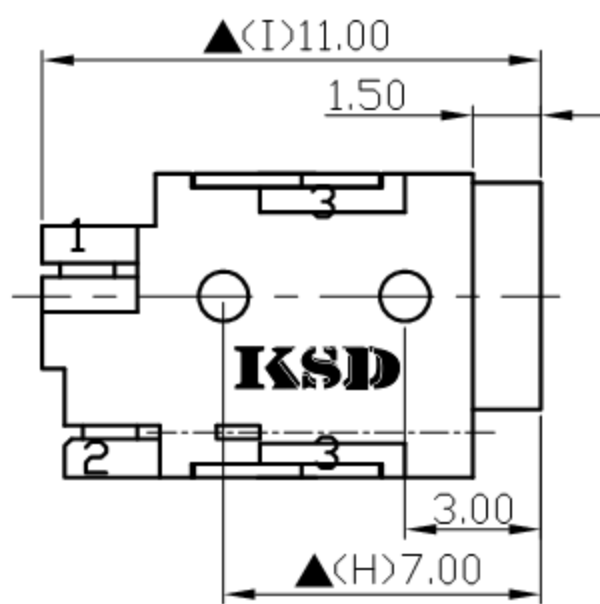
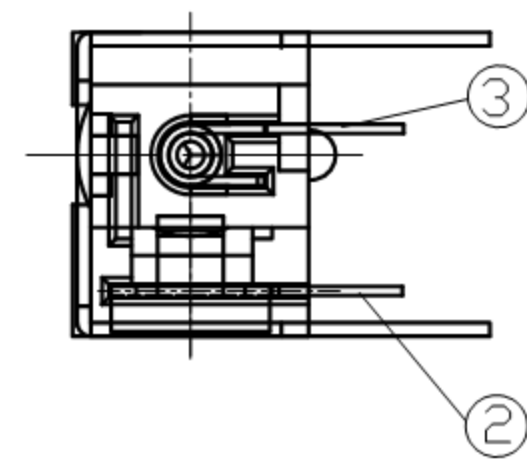
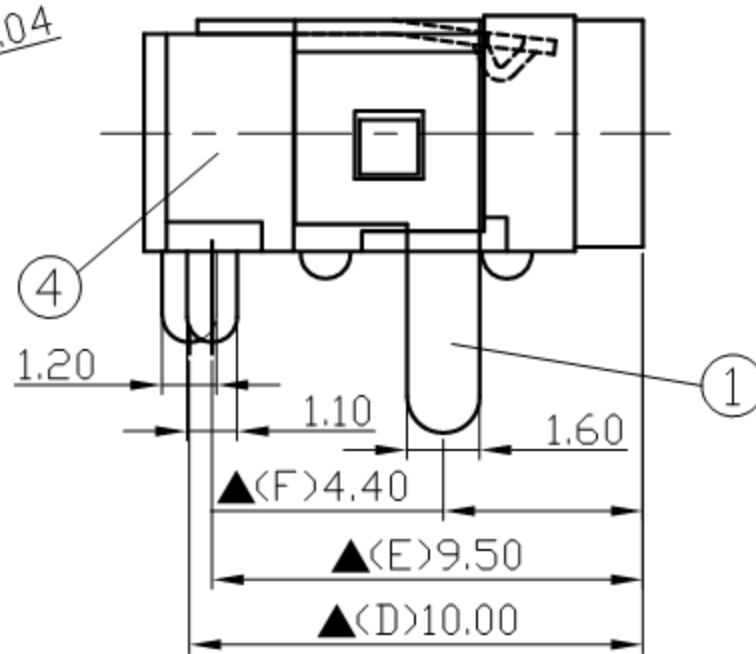
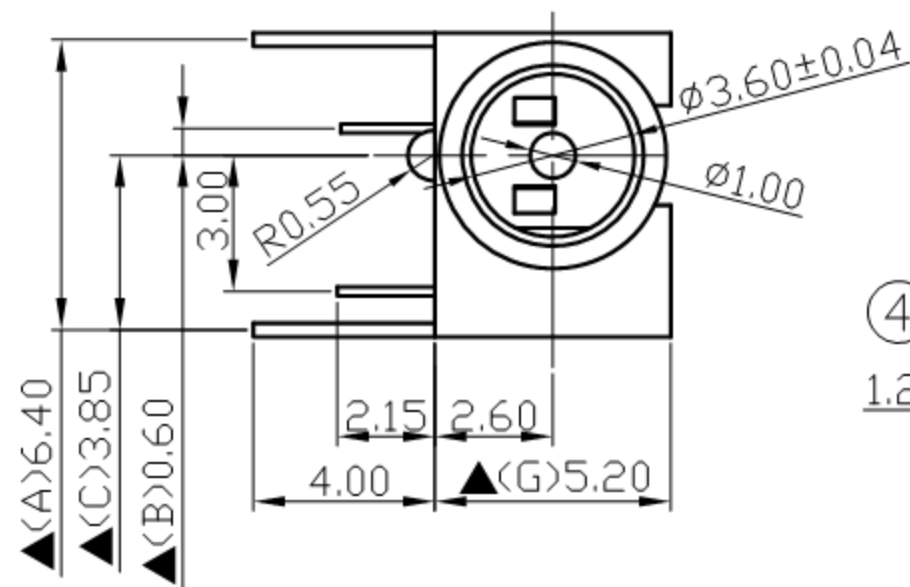



SCHEMATIC	
MODEL NO	L



4.	Housing	PBT+30%	1	Black Color
3.	Pin( $\phi 1.0$ )	0.2T Brass	1	Tin Plated
2.	Spring Terminal	0.2T Phosphor Bronze	1	Tin Plated
1.	Earth Terminal(Barrel)	0.3T Phosphor Bronze	1	Tin Plated
NO.	Description	Material	Q'TY	Finish

	广东科斯达电子科技有限公司 GUANG DONG KE SI DA ELECTRONIC TECHNOLOGY CO., LTD.	DATE	DWN	CHKD	APVD	MANAGER
		10.20.2021	王平華			

PART NAME :DC POWER JACK	PART NUMBER:SCD412ELTR00B00G	VERSION:4.0
TOLERANCE : $\pm 0.3$ mm UNLESS OTHERWISE SPECIFIED	UNIT:mm 	SCALE: /

SPECIFICATIONS:  
 Contact Resistance : 30m $\Omega$  max  
 Current Rating : Max 5A , 24V DC  
 Insulation Resistance : 100M $\Omega$  min. at DC 500V  
 Dielectric Withstand Voltage : AC 500V for one minute  
 Remark:  $\blacktriangle$  : The Most Important Dimension

For Redference  
 僅供參攷

RoHS&SVHC  
 Compliant