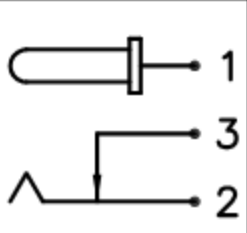
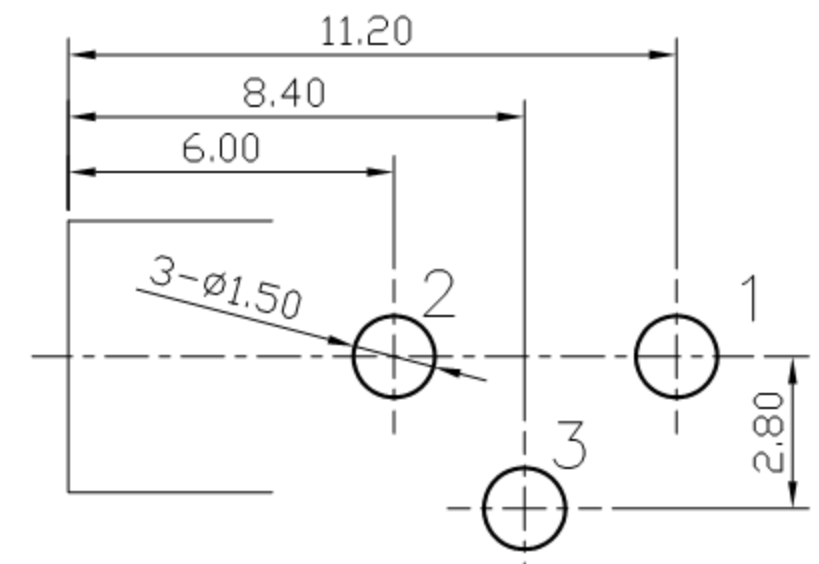
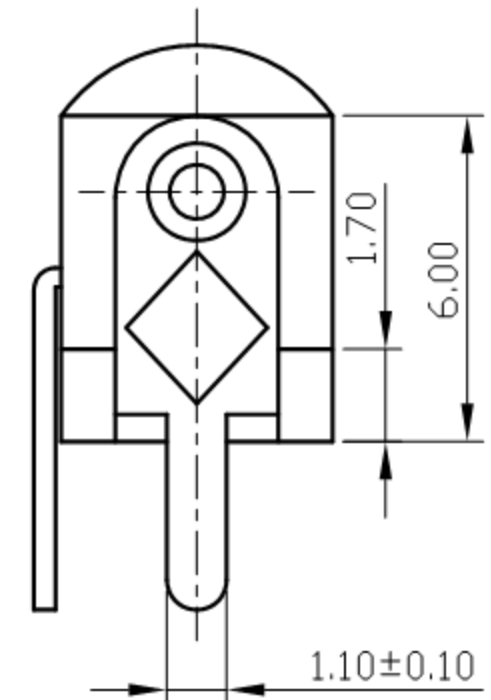
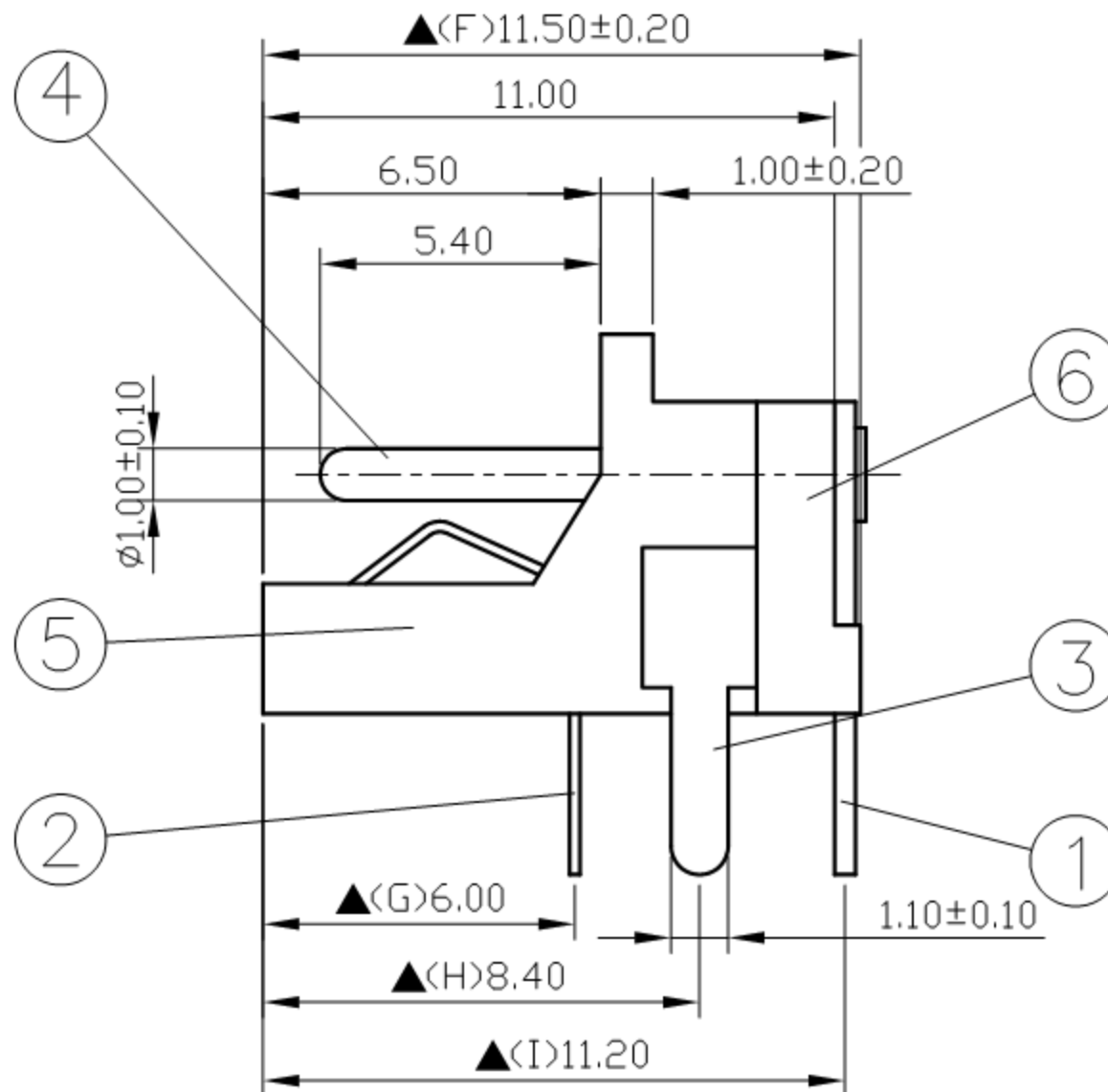
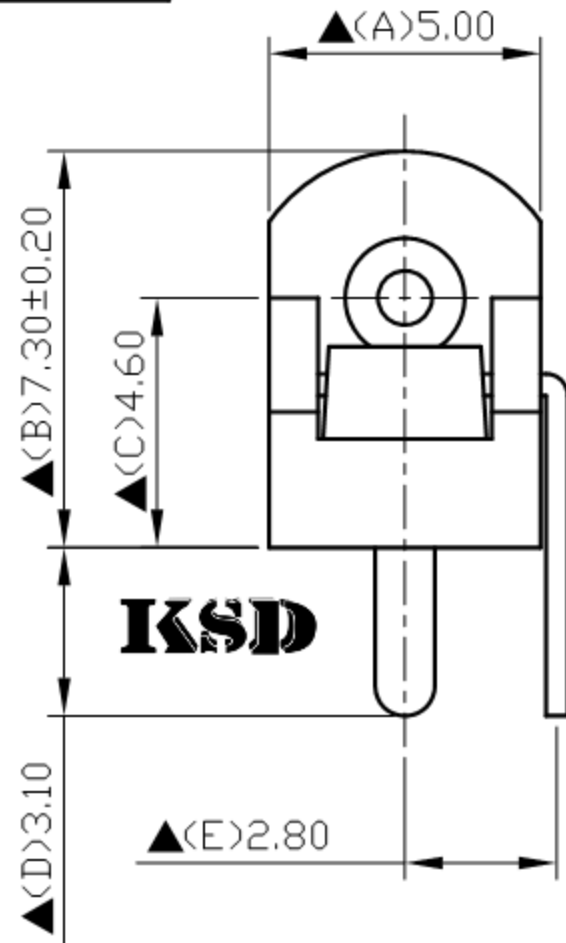


SCHEMATIC	
MODEL NO	C



Pin Hole Layout
(Jack Bottom View)

For Reference
僅供參考

RoHS&SVHC
Compliant

6.	Cover	PBT+15%	1	Black Color
5.	Housing	PBT+30%	1	Black Color
4.	Pin(1.0φ)	Copper	1	Nickel Plated
3.	Break Terminal	0.4T Brass	1	Silver Plated
2.	Sleeve Spring	0.2T Phosphor Bronze	1	Silver Plated
1.	Pin Terminal	0.4T Brass	1	Silver Plated
NO.	Description	Material	Q' TY	Finish

	广东科斯达电子科技有限公司 GUANG DONG KE SI DA ELECTRONIC TECHNOLOGY CO., LTD.	DATE	DWN	CHKD	APVD	MANAGER
		10.22.2021	王平華			

PART NAME : DC POWER JACK	PART NUMBER: SCD415ECS001B00G	VERSION: 9.0
TOLERANCE : ±0.3mm UNLESS OTHERWISE SPECIFIED		SCALE: 1/1

SPECIFICATIONS:
 Contact Resistance : 30mΩ max
 Current Rating : Max 5 A , 24V DC
 Insulation Resistance : 100MΩ min. at DC 500V
 Dielectric Withstanding Voltage: AC 500V for one minute
 Remark: ▲: The Most Important Dimension