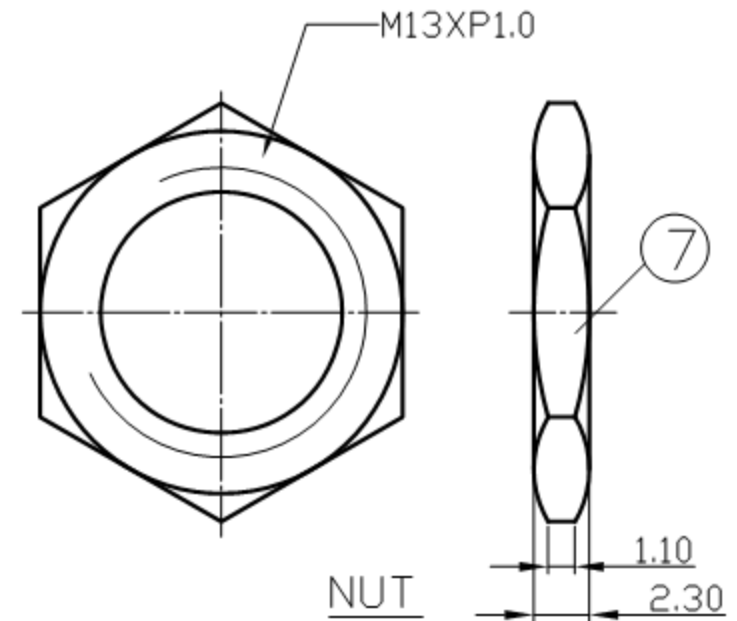
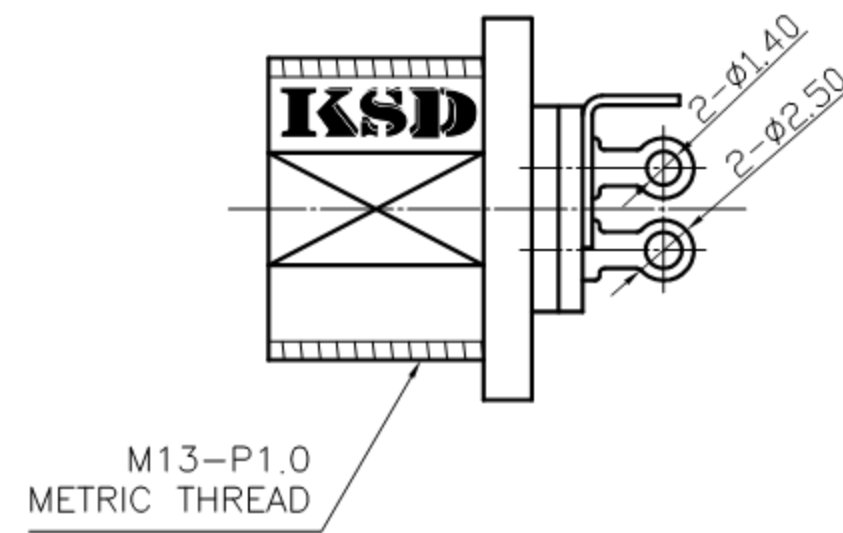
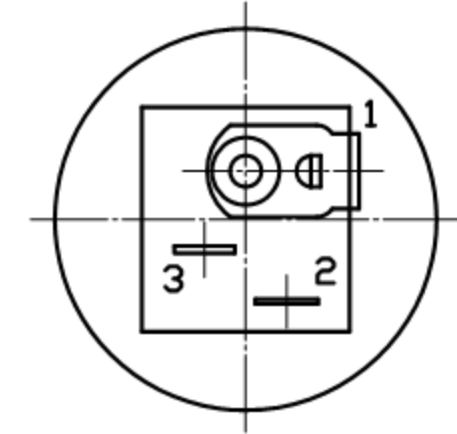
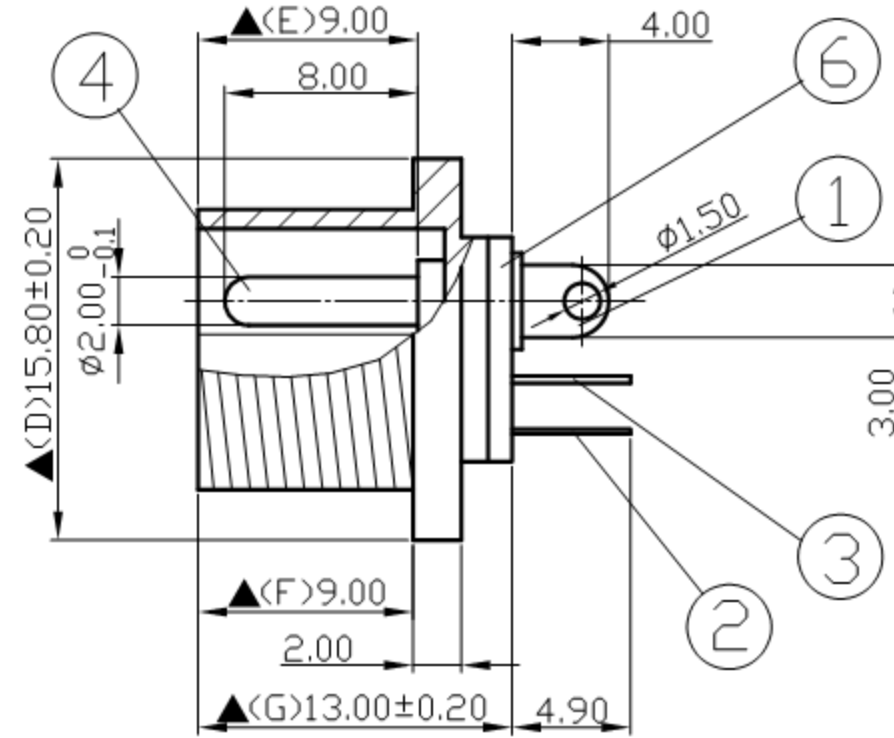
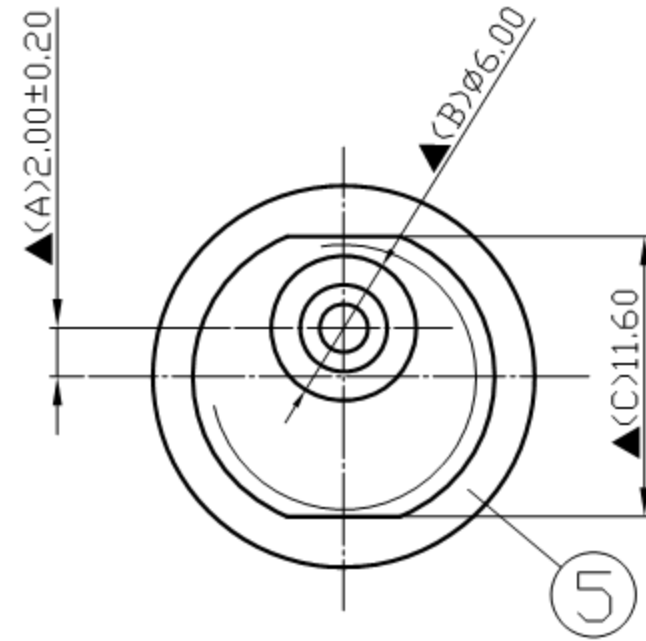


SCHEMATIC	
MODEL NO	C



7.	Nut	Low Lead Brass Rod	1	Nickel Plated
6.	Insulator	1.0T Bakelite	1	Natural
5.	Housing	PBT+30%	1	Black
4.	Pin(2.0Ø)	Brass	1	Nickel Plated
3.	Break Terminal	0.3T Brass	1	Silver Plated
2.	Sleeve Spring	0.2T Phosphor Bronze	1	Silver Plated
1.	Pin Terminal	0.4T Brass	1	Silver Plated
NO.	Description	Material	Q'TY	Finish

广东科斯达电子科技有限公司  
 GUANG DONG KE SI DA ELECTRONIC TECHNOLOGY CO., LTD.

DATE	DWN	CHKD	APVD	MANAGER
10.12.2021	王平華			

PART NAME : DC POWER JACK	PART NUMBER: SCD522CCS100B02L	VERSION: 2.0
TOLERANCE : ±0.3mm UNLESS OTHERWISE SPECIFIED		UNIT: mm
		SCALE: 1/1

**SPECIFICATIONS:**  
 Contact Resistance : 30mΩ max  
 Current Rating : Max 5.0A , 24VDC  
 Insulation Resistance : 100MΩ min. at DC 500V  
 Dielectric Withstanding Voltage: AC 500V for one minute  
 Remark: ▲: The Most Important Dimension

For Redference  
 僅供參考

RoHS&SVHC  
 Compliant