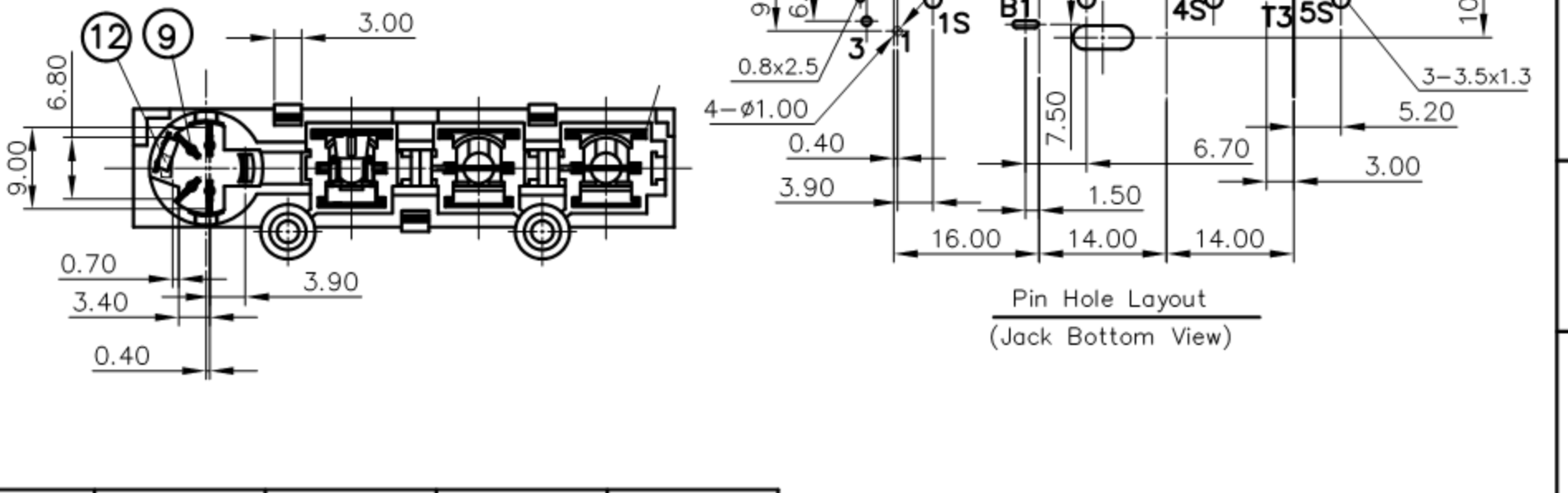
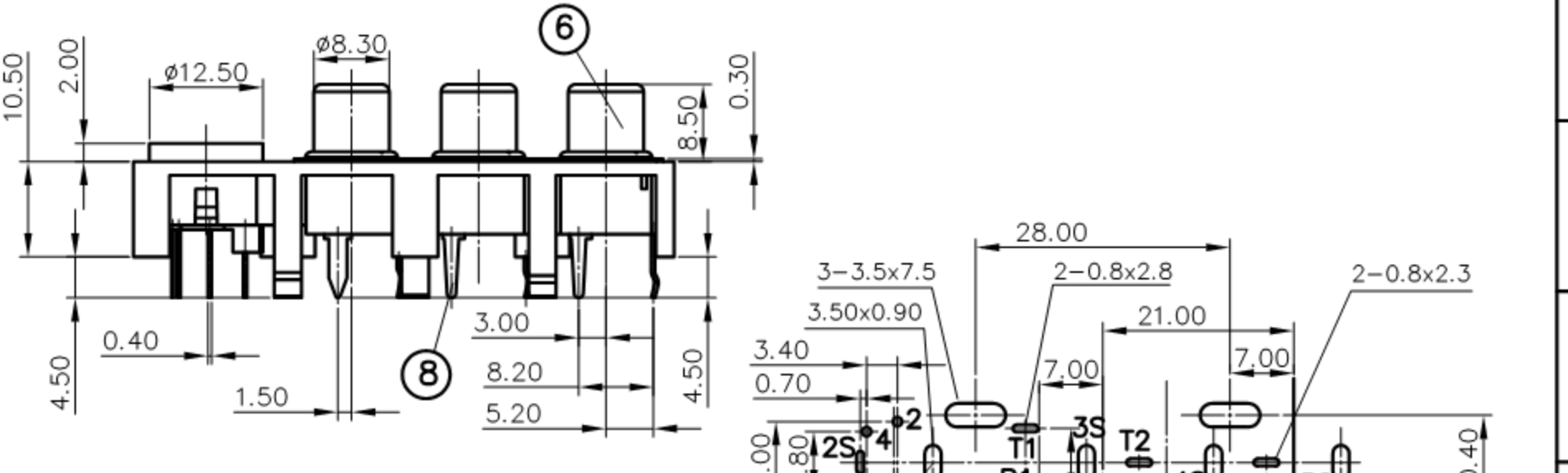
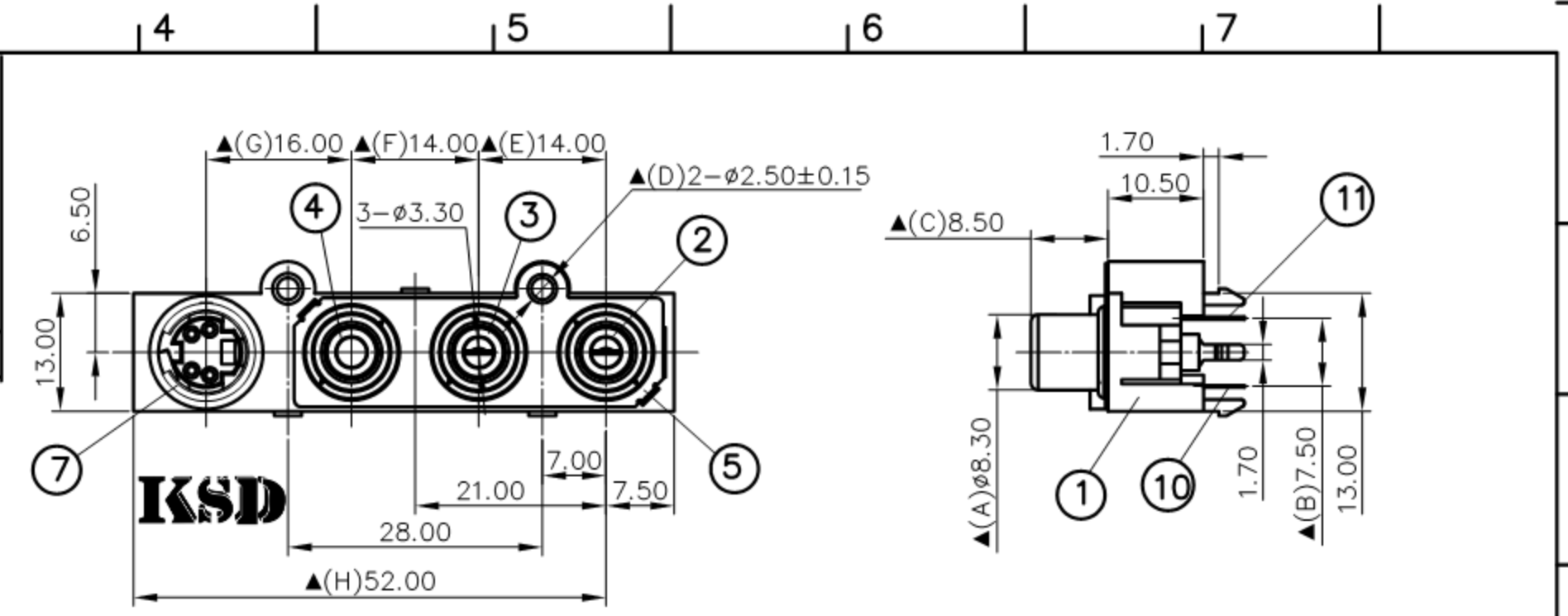


12.	Tip Contact	0.2T Phosphor Bronze	1	Silver Plated
11.	Tip Contact	0.3T Brass	1	Silver Plated
10.	Break Contact	0.3T Phosphor Bronze	1	Silver Plated
9.	Center Contact	0.4T Brass	4	Silver Plated
8.	Center Contact	0.4T Brass	2	Silver Plated
7.	Outer Contact	0.4T Brass	1	Nickel Plated
6.	Outer Contact	0.4T Brass	3	Nickel Plated
5.	Sealed Plate	0.2T SUS304	1	
4.	Washer	PBT	1	Yellow color
3.	Washer	PBT	1	White color
2.	Washer	PBT	1	Red color
1.	Housing	PA66+33%GF	1	Black Color
NO.	Description	Material	Q'TY	Finish



	<b>广东科斯达电子科技有限公司</b> GUANG DONG KE SI DA ELECTRONIC TECHNOLOGY CO., LTD.	DATE	DWN	CHKD	APVD	MANAGER	
		08.17.2010					
PART NAME:PIN JACK		PART NUMBER:SCP811S4BSXN432G			VERSION:3.0		SPECIFICATIONS: Contact Resistance :30mΩ max Insulation Resistance :100MΩ min.at DC500V Dielectric Withstand Voltage:AC 500V for one minute Remark:▲:The Most Important Dimension
TOLERANCE:±0.3mm UNLESS OTHERWISE SPECIFIED		UNIT:mm			SCALE:1/1		

RoHS Pb Free Process For Reference 僅供參考