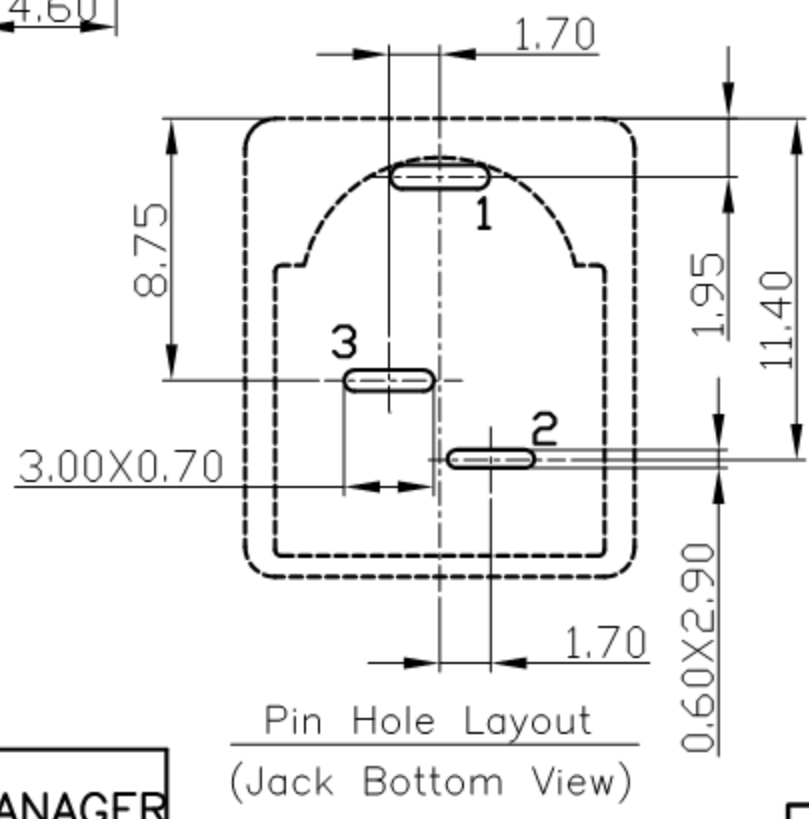


6.	Insulator	1.0T Bakelite	1	Natural
5.	Housing	POM	1	Black Color
4.	Pin(2.0 ϕ)	Brass	1	Nickel Plated
3.	Break Terminal	0.3T Brass	1	Silver Plated
2.	Sleeve Spring	0.2T Phosphor Bronze	1	Silver Plated
1.	Pin Terminal	0.4T Brass	1	Silver Plated
NO.	Description	Material	Q'TY	Finish

	广东科斯达电子科技有限公司 GUANG DONG KE SI DA ELECTRONIC TECHNOLOGY CO., LTD.	DATE	DWN	CHKD	APVD	MANAGER
		10.06.2021	王平華			

PART NAME :DC POWER JACK	PART NUMBER:SCD525CCS000B00G	VERSION:9.0
TOLERANCE : ± 0.3 mm UNLESS OTHERWISE SPECIFIED		SCALE:1/1



For Redference
 僅供參考

RoHS&SVHC
 Compliant

SPECIFICATIONS:
 Contact Resistance : 30m Ω max
 Current Rating : Max 5.0A , 24VDC
 Insulation Resistance : 100M Ω min. at DC 500V
 Dielectric Withstand Voltage : AC 500V for one minute
 Remark: ▲ : The Most Important Dimension