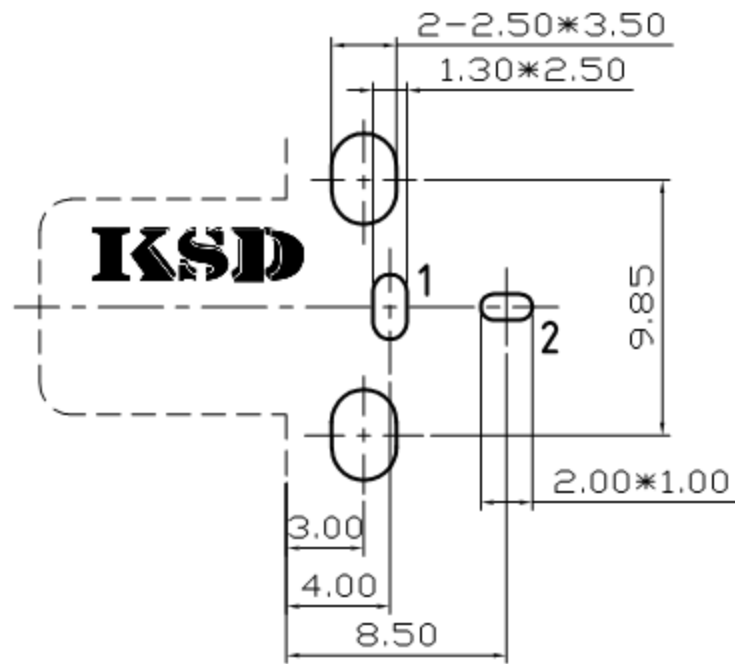
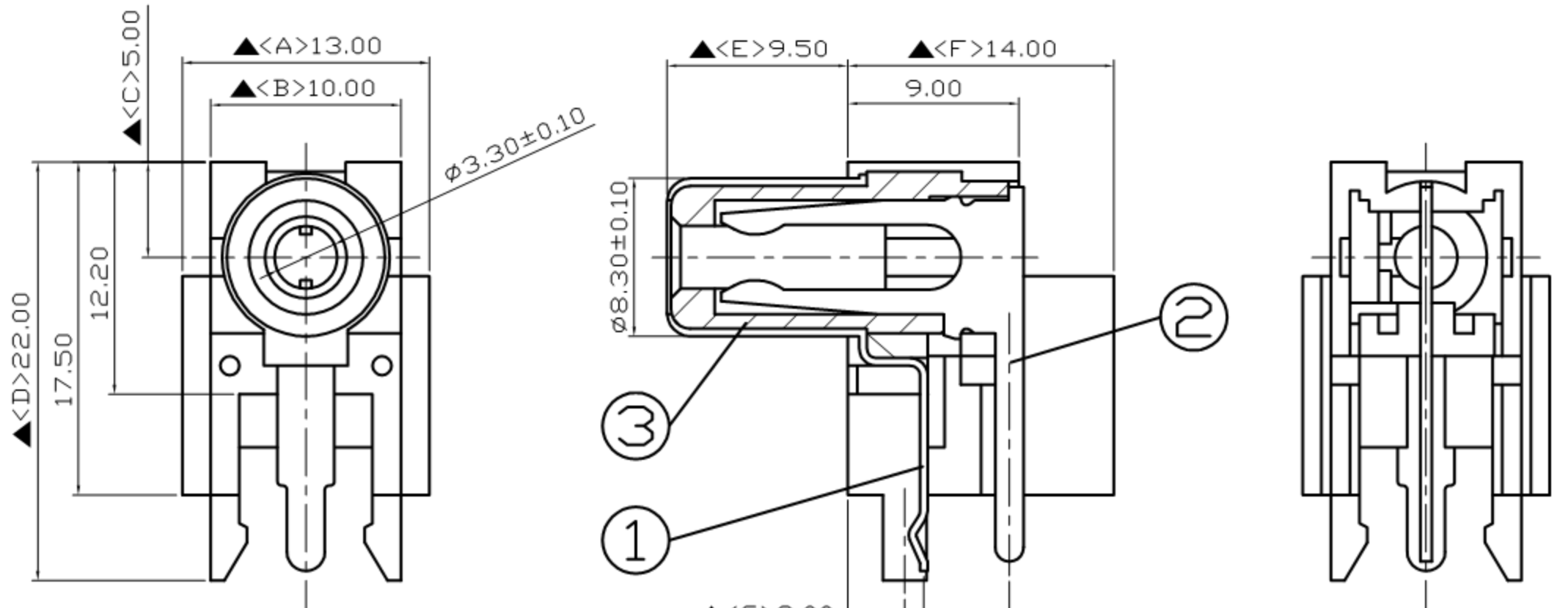


SCHEMATIC	
MODEL NO	U



Pin Hole Layout  
(Jack Bottom View)

3.	Housing	ABS	1	Black Color
2.	Terminal	0.6T Brass	1	Silver Plated
1.	Earth Terminal	0.4T Brass	1	Nickel Plated
NO.	Description	Material	Q'TY	Finish

RoHS Compliant For Reference  
僅供參考

SPECIFICATIONS:  
 Contact Resistance : 30mΩ max  
 Insulation Resistance : 100MΩ min. at DC 500V  
 Dielectric Withstanding Voltage: AC 500V for one minute  
 Remark: ▲: The Most Important Dimension

	广东科斯达电子科技有限公司 GUANG DONG KE SI DA ELECTRONIC TECHNOLOGY CO., LTD.	DATE	DWN	CHKD	APVD	MANAGER
		07.04.2007				

PART NAME : PIN JACK	PART NUMBER: SCP623UNS100000G	VERSION:1.0
TOLERANCE :±0.3mm UNLESS OTHERWISE SPECIFIED	UNIT:mm	SCALE:1/1