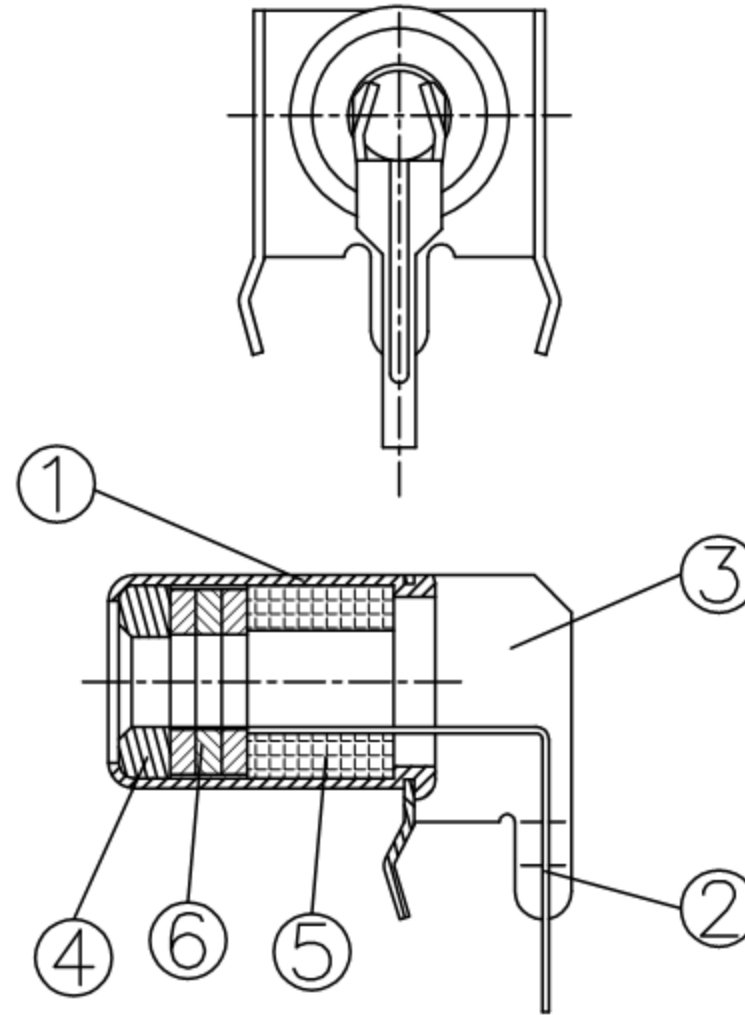
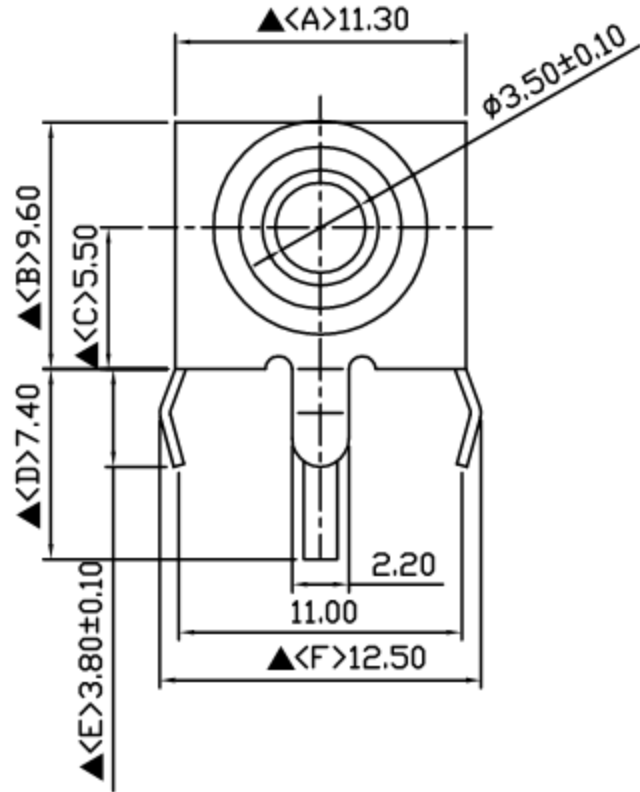


Pin Hole Layout  
(Jack Bottom View)



6.	Insulator	Bakelite	3	Natural
5.	Insulator	PBT	1	Black Color
4.	Insulator	PBT	1	Black Color
3.	Body	0.4T Steel	1	Tin Plating
2.	Terminal	0.25T Brass	1	Tin Plating
1.	Barrel(Sleeve)	0.3T Steel	1	Nickel Plated
NO.	Description	Material	Q'TY	Finish

广东科斯达电子科技有限公司  
GUANG DONG KE SI DA ELECTRONIC TECHNOLOGY CO., LTD.

DATE	DWN	CHKD	APVD	MANAGER
12.09.2005				

PART NAME : PIN JACK	PART NUMBER: SCP612UNT1T0000G	VERSION:3.0
----------------------	-------------------------------	-------------

TOLERANCE :±0.3mm UNLESS OTHERWISE SPECIFIED	UNIT:mm	SCALE: /
----------------------------------------------	---------	----------

SPECIFICATIONS:  
 Contact Resistance : 30mΩ max  
 Insulation Resistance : 100MΩ min. at DC 500V  
 Dielectric Withstanding Voltage: AC 500V for one minute  
 Remark: ▲: The Most Important Dimension

RoHS Compliant For Reference  
僅供參考