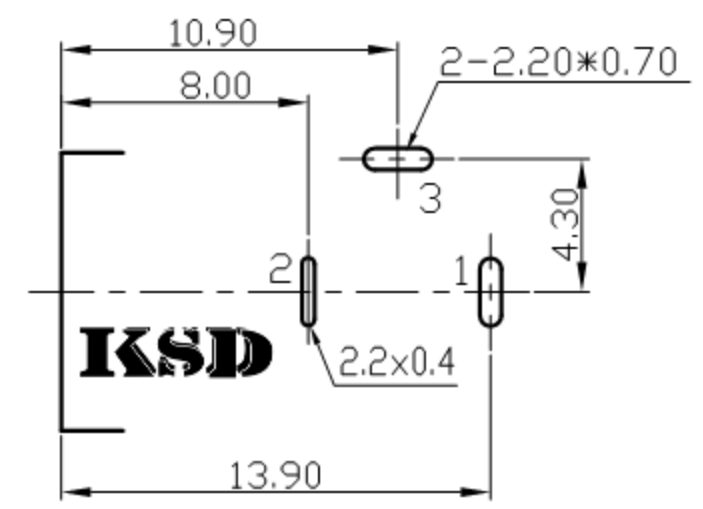
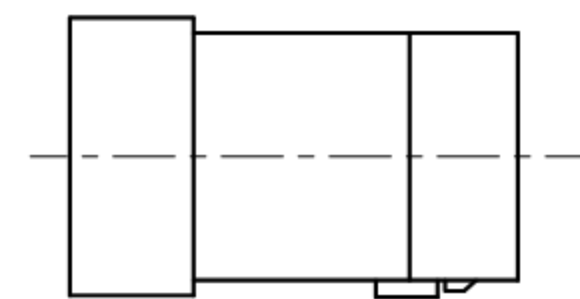
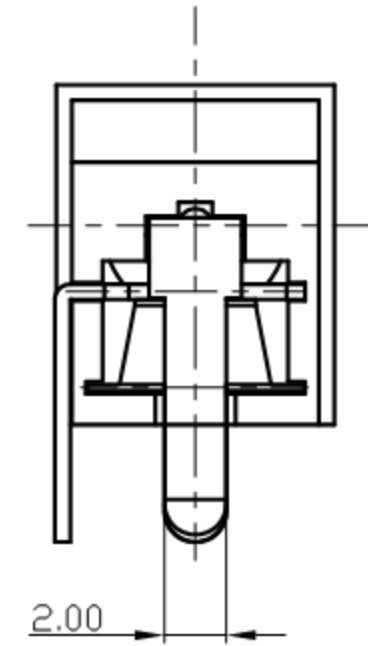
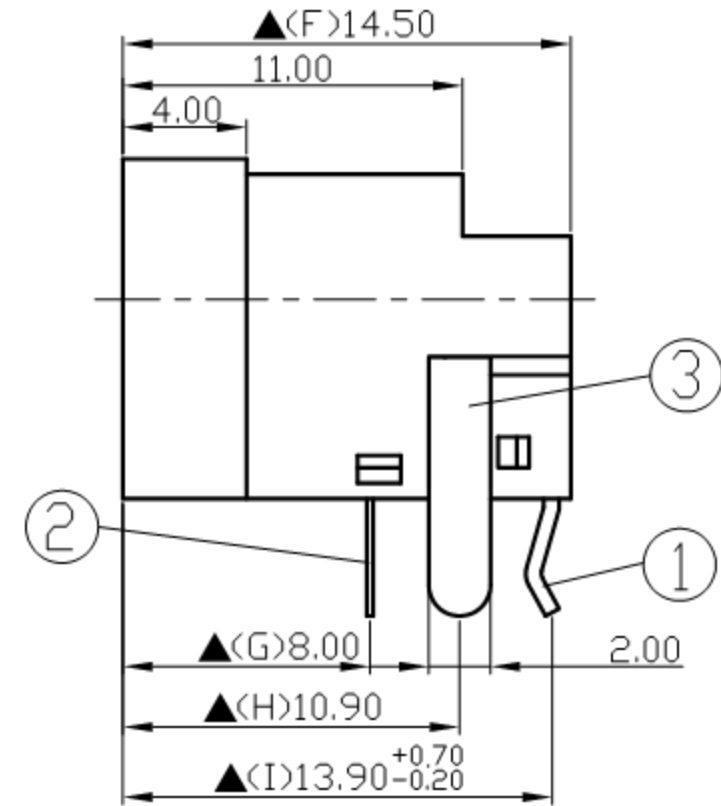
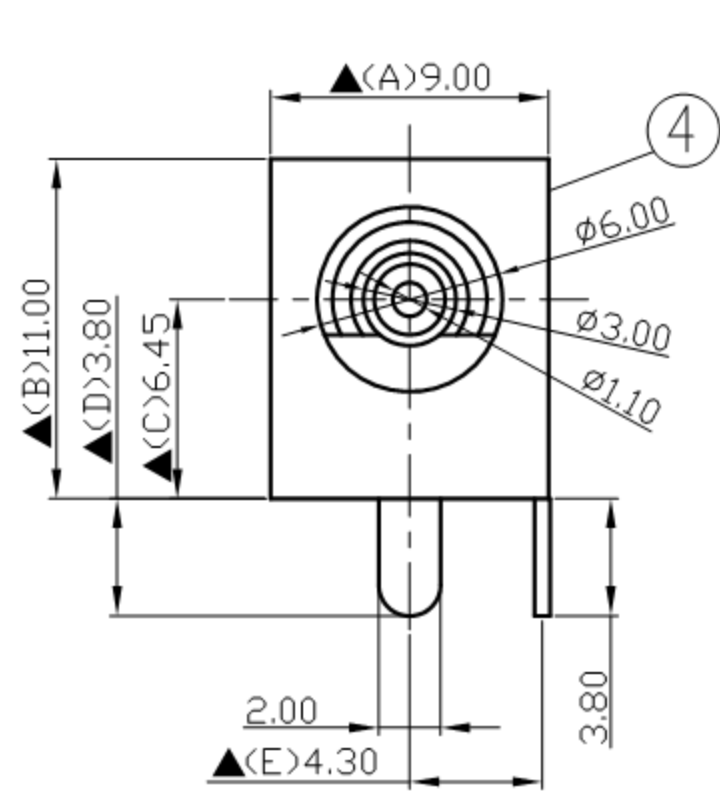


SCHEMATIC	
MODEL NO	C



Pin Hole Layout
(Jack Bottom View)

For Redference
僅供參考

RoHS&SVHC
Compliant

4.	Housing	PBT+15%	1	Black Color
3.	Break Terminal	0.5T Brass	1	Silver Plated
2.	Ring Spring	0.2T Phosphor Bronze	1	Silver Plated
1.	Pin Terminal	0.5T Brass	1	Silver Plated
NO.	Description	Material	Q'TY	Finish

	广东科斯达电子科技有限公司 GUANG DONG KE SI DA ELECTRONIC TECHNOLOGY CO., LTD.	DATE	DWN	CHKD	APVD	MANAGER
		10.07.2021	王平華			

PART NAME : DC POWER JACK	PART NUMBER: SCD460ECS00SB00G	VERSION: 8.0
---------------------------	-------------------------------	--------------

TOLERANCE : ±0.3mm UNLESS OTHERWISE SPECIFIED	UNIT: mm		SCALE: 1/1
---	----------	--	------------

SPECIFICATIONS:
 Contact Resistance : 30mΩ max
 Current Rating : Max 5.0A ,24VDC
 Insulation Resistance : 100MΩ min. at DC 500V
 Dielectric Withstand Voltage : AC 500V for one minute
 Remark: ▲ : The Most Important Dimension