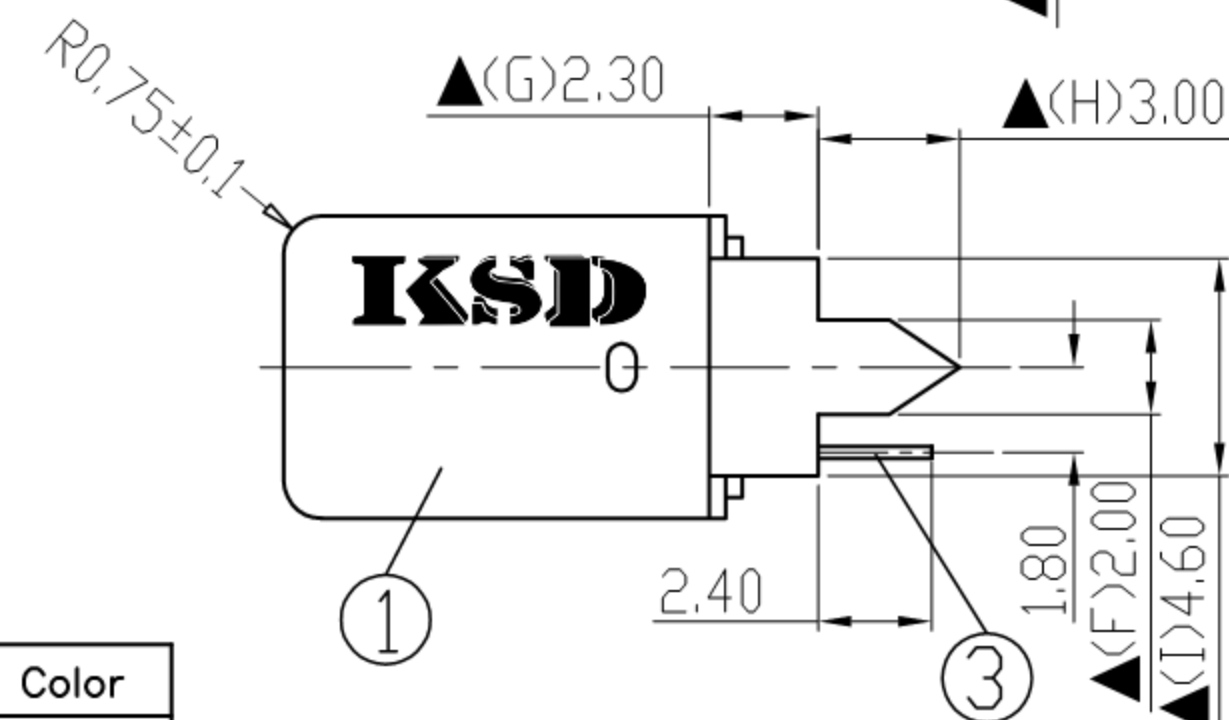
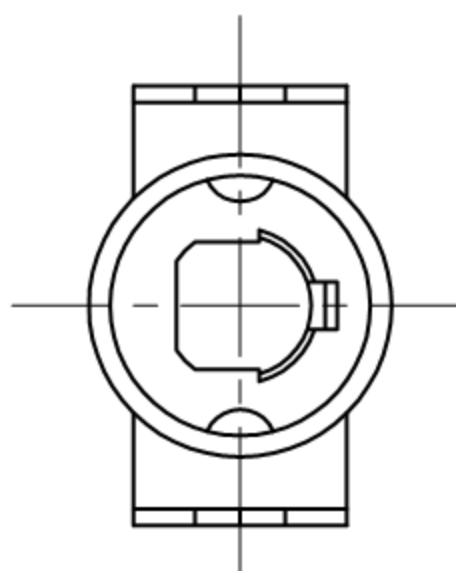
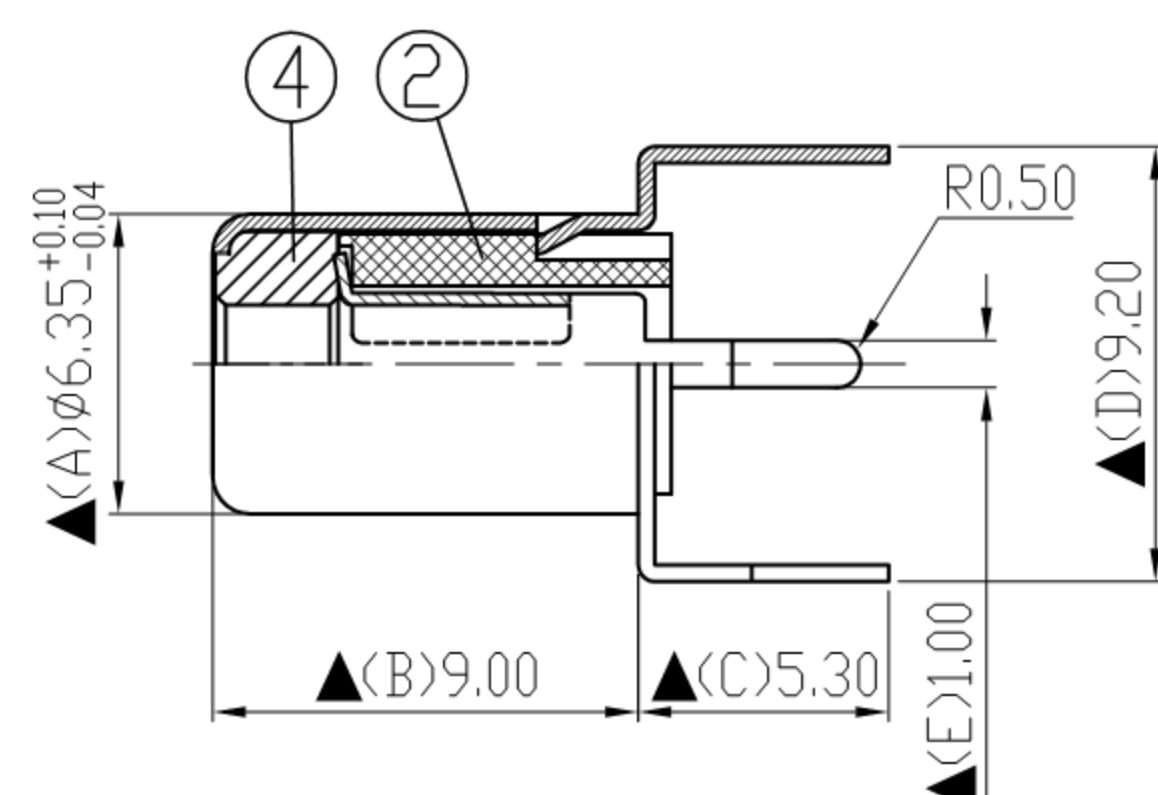
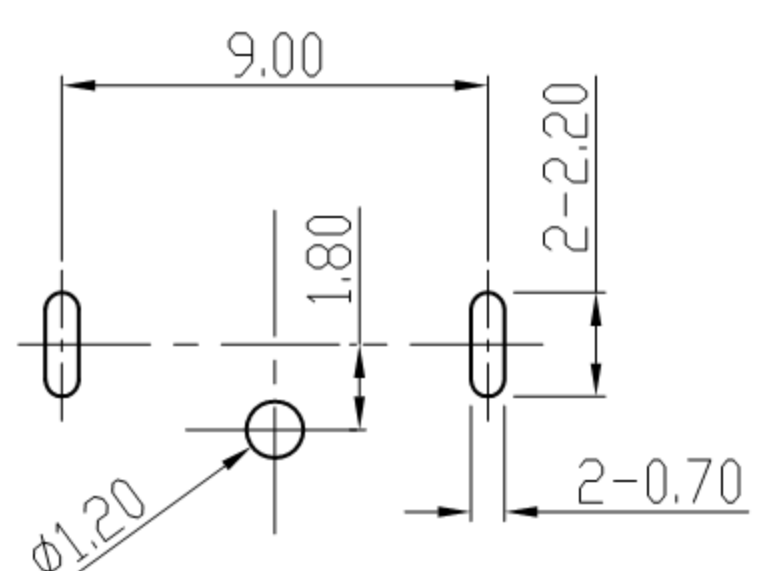
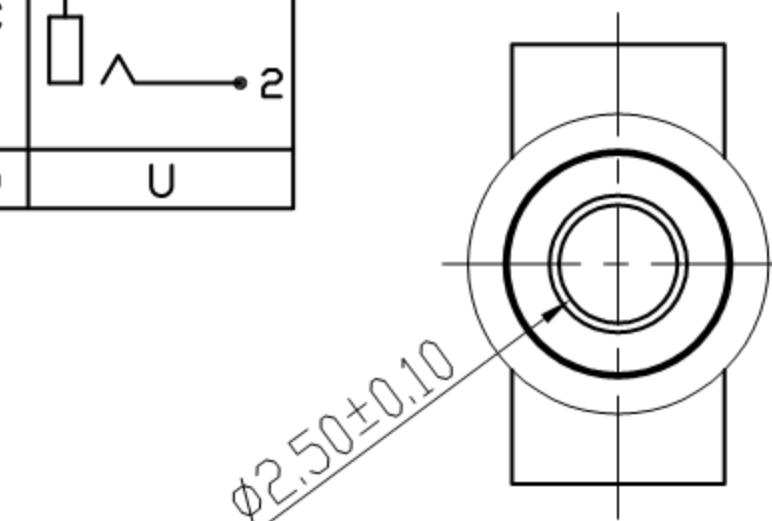


SCHEMATIC	
MODEL NO	U

A
B
C
D
E



4.	Insulator	PBT+15%G UL94V-0	1	Black Color
3.	Center Contact	0.25T Phosphor Bronze	1	Tin Plating
2.	Insulator	PBT+15%G UL94V-0	1	Black Color
1.	Body shell	0.35T Iron	1	Tin Plating
NO.	Description	Material	Q'TY	Finish

	广东科斯达电子科技有限公司 GUANG DONG KE SI DA ELECTRONIC TECHNOLOGY CO., LTD.	DATE	DWN	CHKD	APVD	MANAGER
		07.18.2006				

RoHS Compliant For Reference 僅供參考

PART NAME : PIN JACK	PART NUMBER:SCP610U0T1T0000G	VERSION:1.0
TOLERANCE :±0.3mm UNLESS OTHERWISE SPECIFIED	UNIT:mm	SCALE:1/1

SPECIFICATIONS:
 Contact Resistance : 30mΩ max
 Insulation Resistance : 100MΩ min. at DC 500V
 Dielectric Withstanding Voltage: AC 500V for one minute
 Remark: ▲: The Most Important Dimension

A
B
C
D
E

1 2 3 4 5 6 7