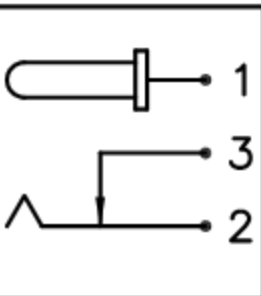
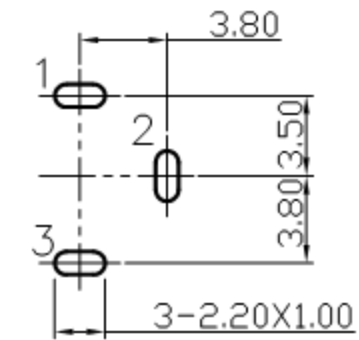
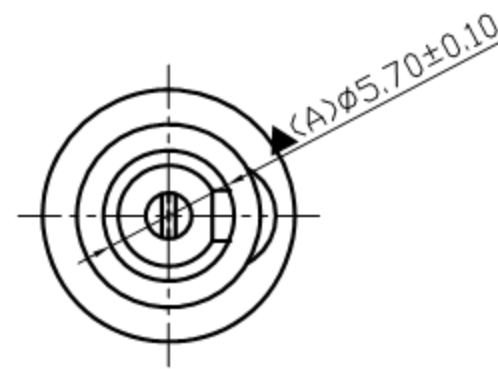
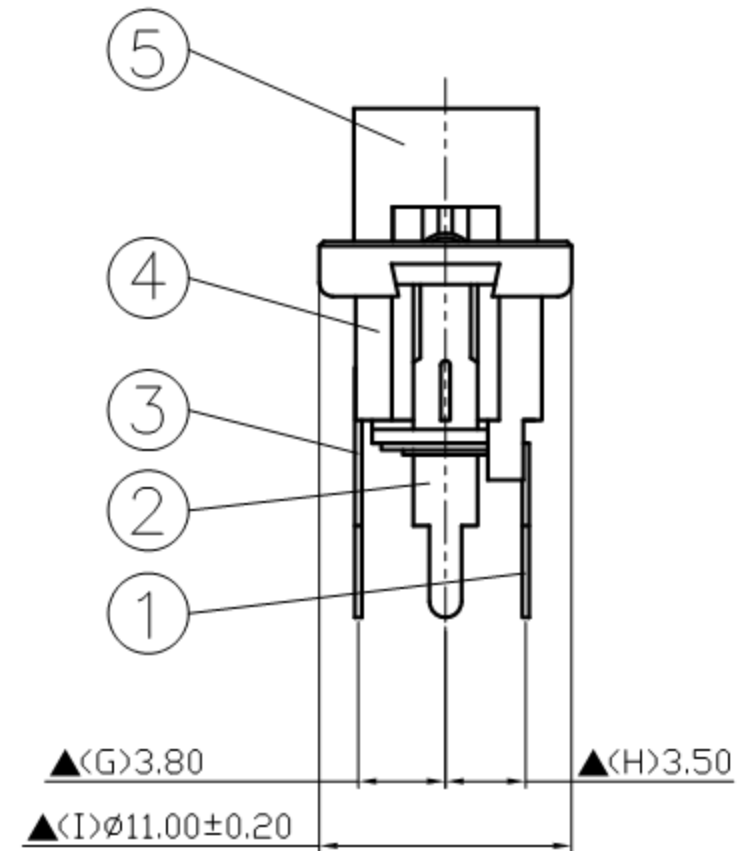
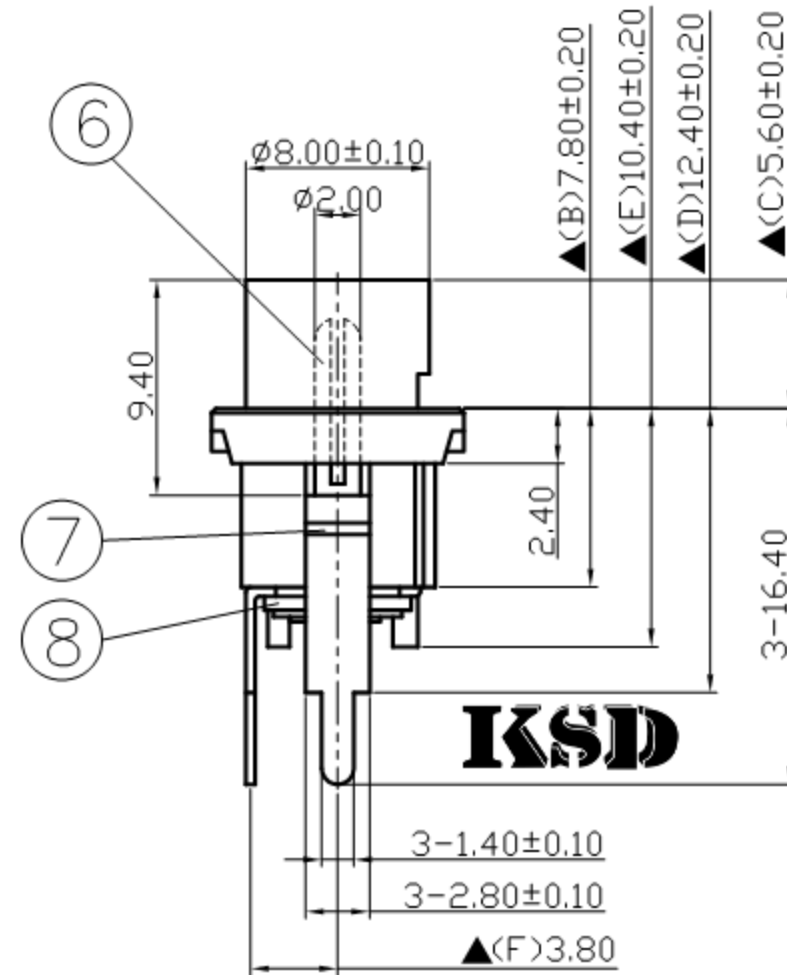



SCHEMATIC	
MODEL NO	C



Pin Hole Layout  
(Jack Bottom View)

8.	Insulator B	Red Vulcanited Fibre	1	Red Color
7.	Insulator A	Red Vulcanited Fibre	1	Red Color
6.	Pin(2.0 $\phi$ )	Low Lead Brass Rod	1	Nickel Plated
5.	Bushing	Low Lead Brass Rod	1	Nickel Plated
4.	Housing	PBT+15%	1	Black Color
3.	Break Terminal	0.3T Brass	1	Silver Plated
2.	Sleeve Spring	0.4T Phosphor Bronze	1	Silver Plated
1.	Pin Terminal	0.3T Brass	1	Silver Plated
NO.	Description	Material	Q'TY	Finish

	广东科斯达电子科技有限公司 GUANG DONG KE SI DA ELECTRONIC TECHNOLOGY CO., LTD.	DATE	DWN	CHKD	APVD	MANAGER
		06.21.2021	王平華			

PART NAME : DC POWER JACK	PART NUMBER: SCD454CCS001B00L	VERSION: 1.0
TOLERANCE : $\pm 0.3\text{mm}$ UNLESS OTHERWISE SPECIFIED	UNIT: mm 	SCALE: /

For Redference  
僅供參考

RoHS&SVHC  
Compliant

SPECIFICATIONS:

Contact Resistance : 30m $\Omega$  max  
 Current Rating : Max 5.0A , 24V DC  
 Insulation Resistance: 100M $\Omega$  min. at DC 500V  
 Dielectric Withstand Voltage : AC 500V for one minute  
 Remark:  $\blacktriangle$  : The Most Important Dimension