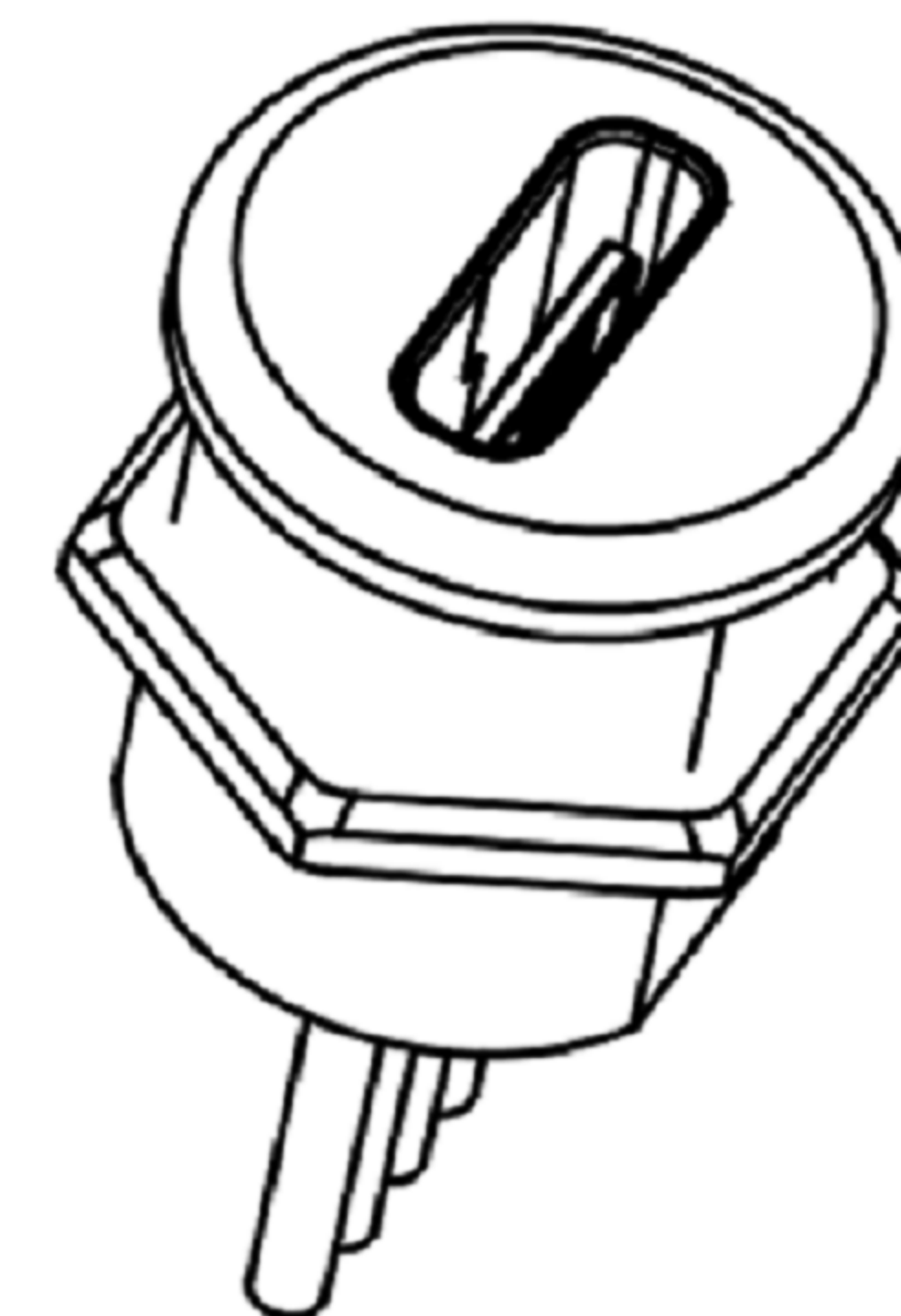
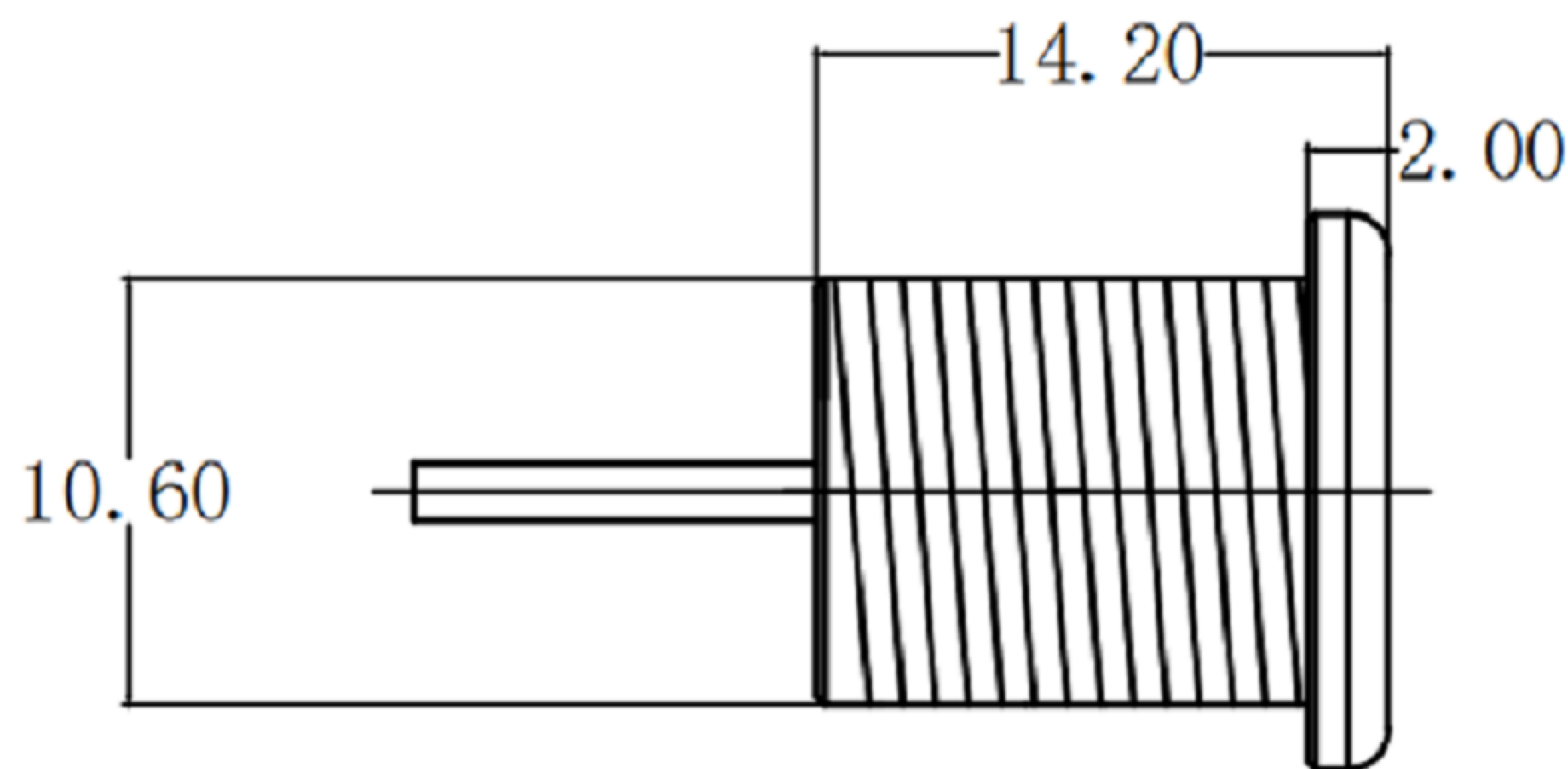
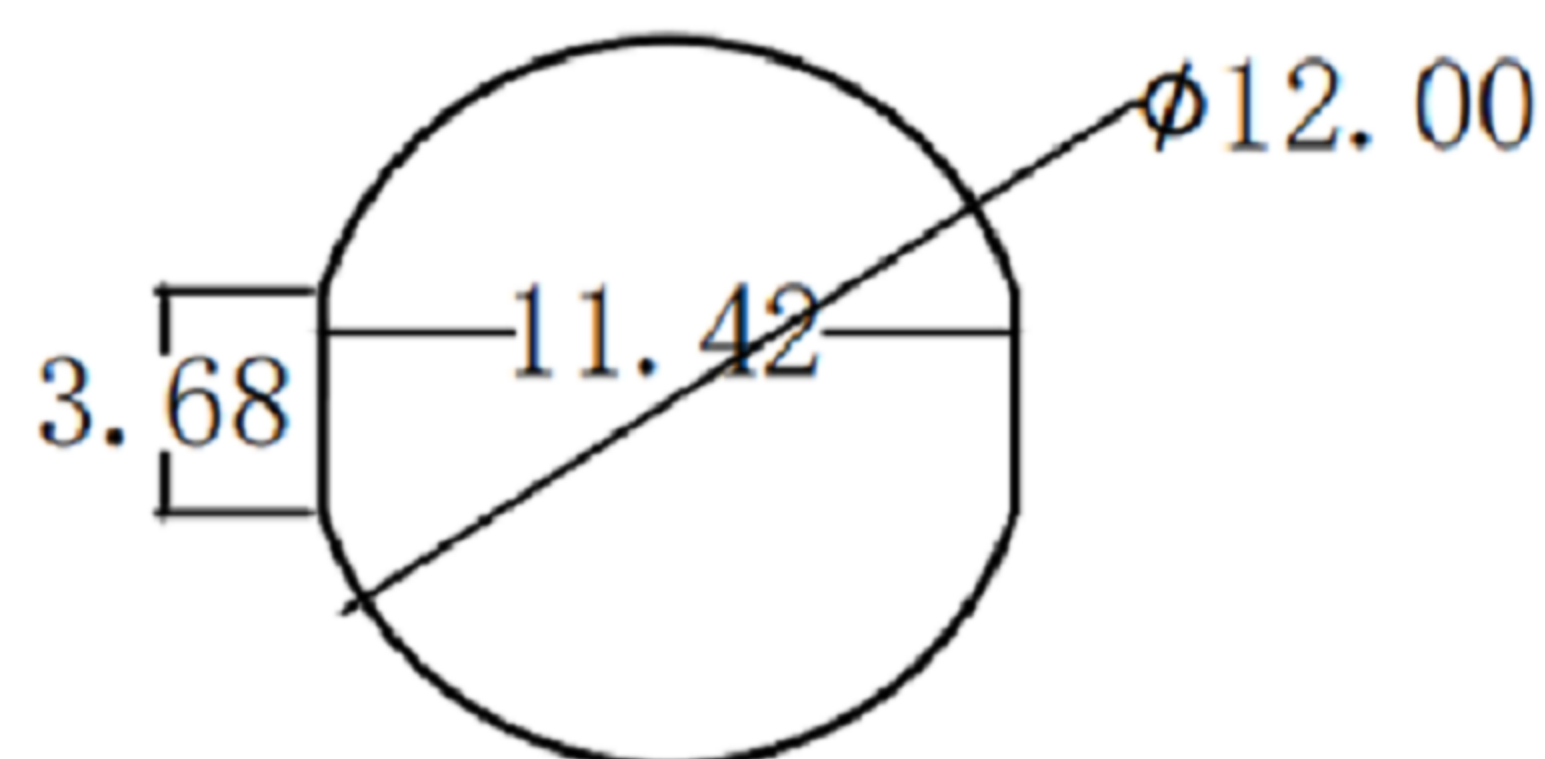
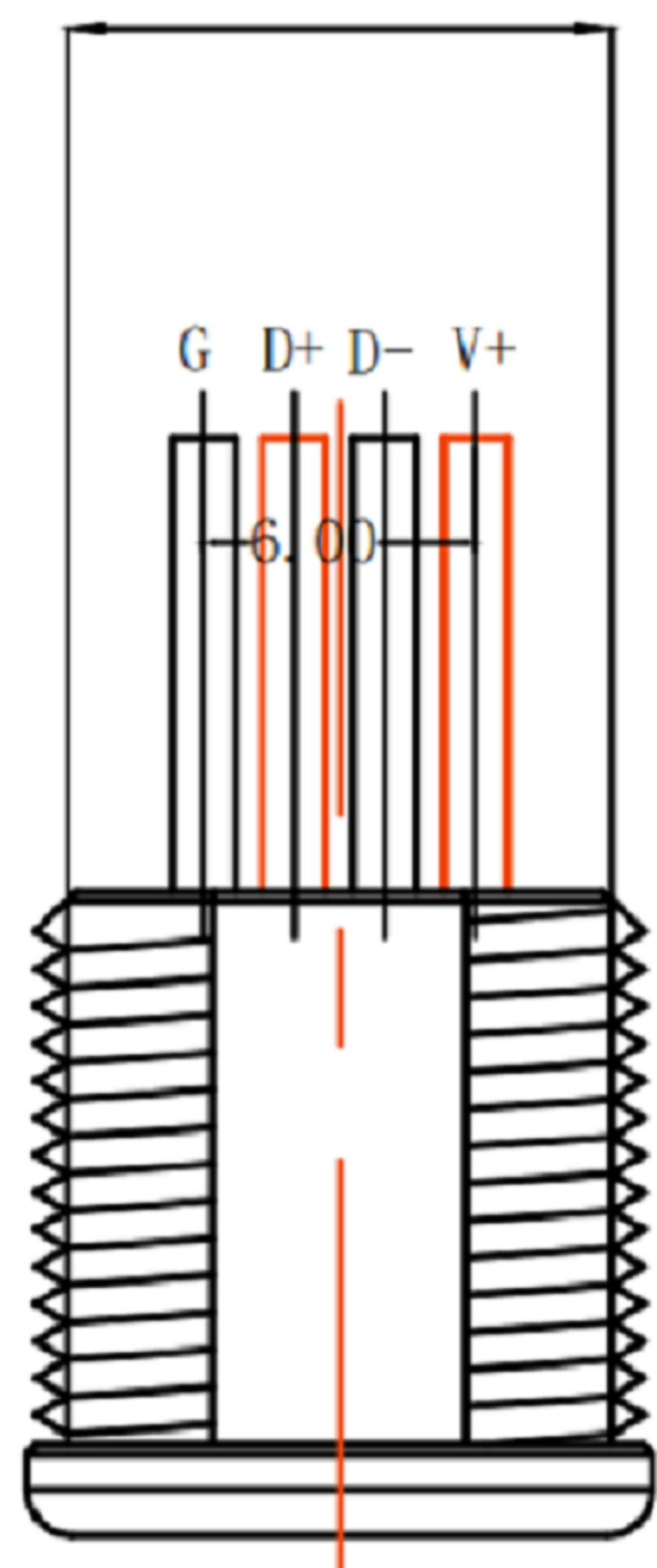


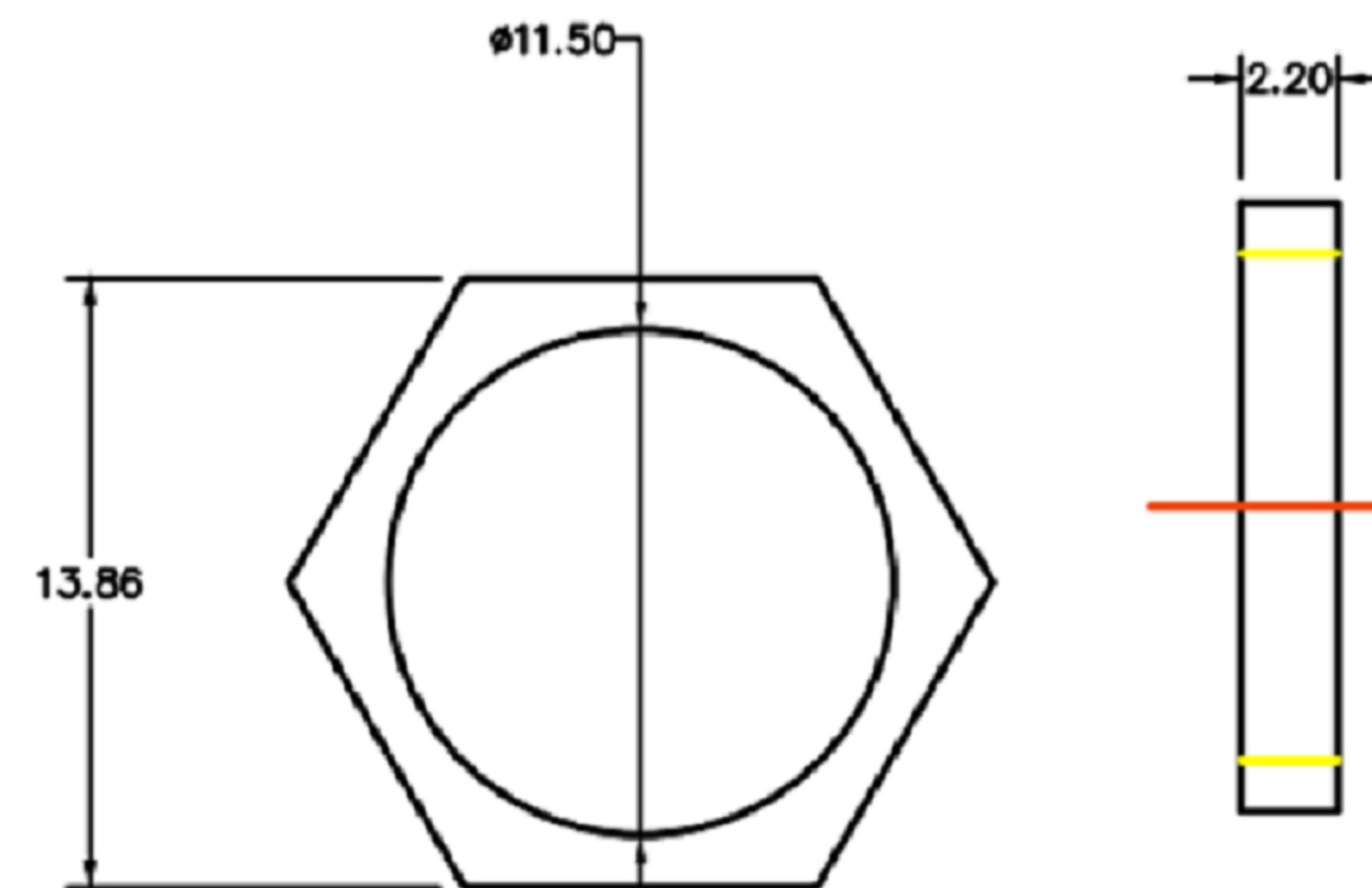
Ø13.80



M12X1.25



开孔: 负公差-0.1



4	更新pcb layout尺寸	Jack	083019
3	新增pcb layout尺寸	Jack	082919
2	更新料號	Jack	061219
1	更新圖面樣式及尺寸	Jack	091818
ITEM NO.	DESCRIPTION	DRAWN	DATE

**广东科斯达电子科技有限公司**  
**GUANG DONG KE SI DA ELECTRONIC TECHNOLOGY CO., LTD.**

TOLERANCE UNLESS OTHERWISE STATED: Up to 5 ±0.2  
 Above 5 ~ 15 ±0.3  
 Above 15 ~ 30 ±0.4  
 Above 30 ~ 50 ±0.5  
 Angle ±0.3°

3RD. ANGEL'S

UNITS MM

DRAWN BY: Ming Ming Zou DATE: 11/19/14  
 CHECKED BY: Ning Ning Su DATE: 11/19/14  
 APPROVED BY: Jia Xiang DATE: 11/19/14

MAT'L		TITLE	CONNECTOR
FINISH		MODLE	USB C TYPE
SCALE	1:1	DWG NO.	
SHEET NO.	1 of 1	PART NO.	
		SIZE	A4
		VER	R4