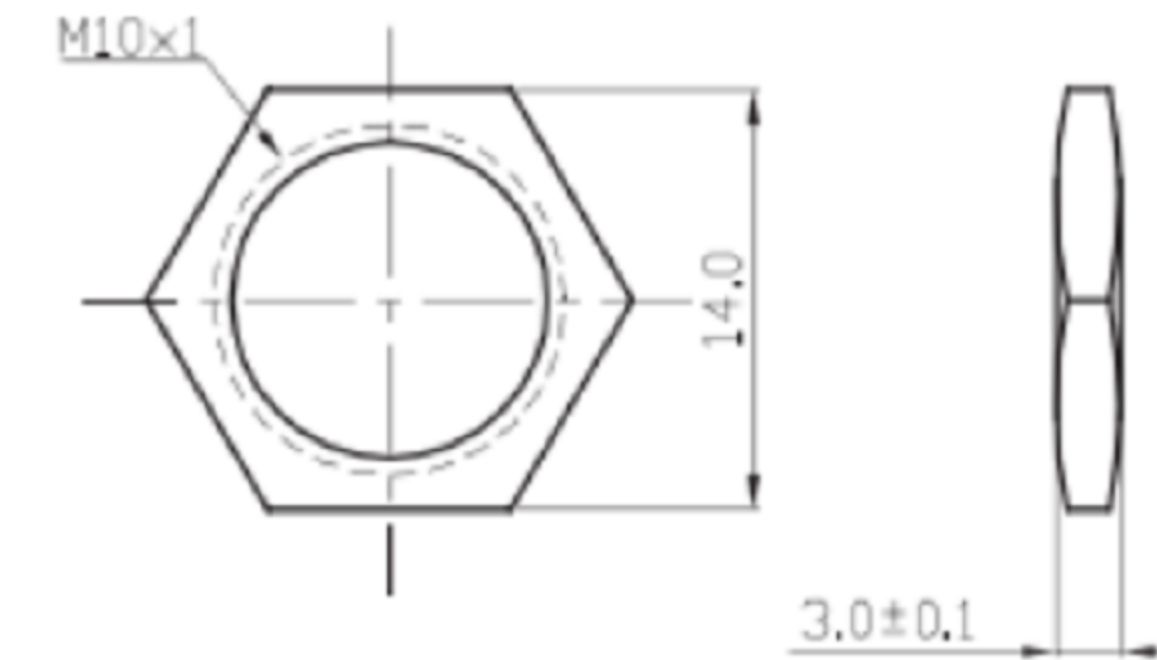


螺母配件



SPECIFICATION 规格:

Rating 额定:

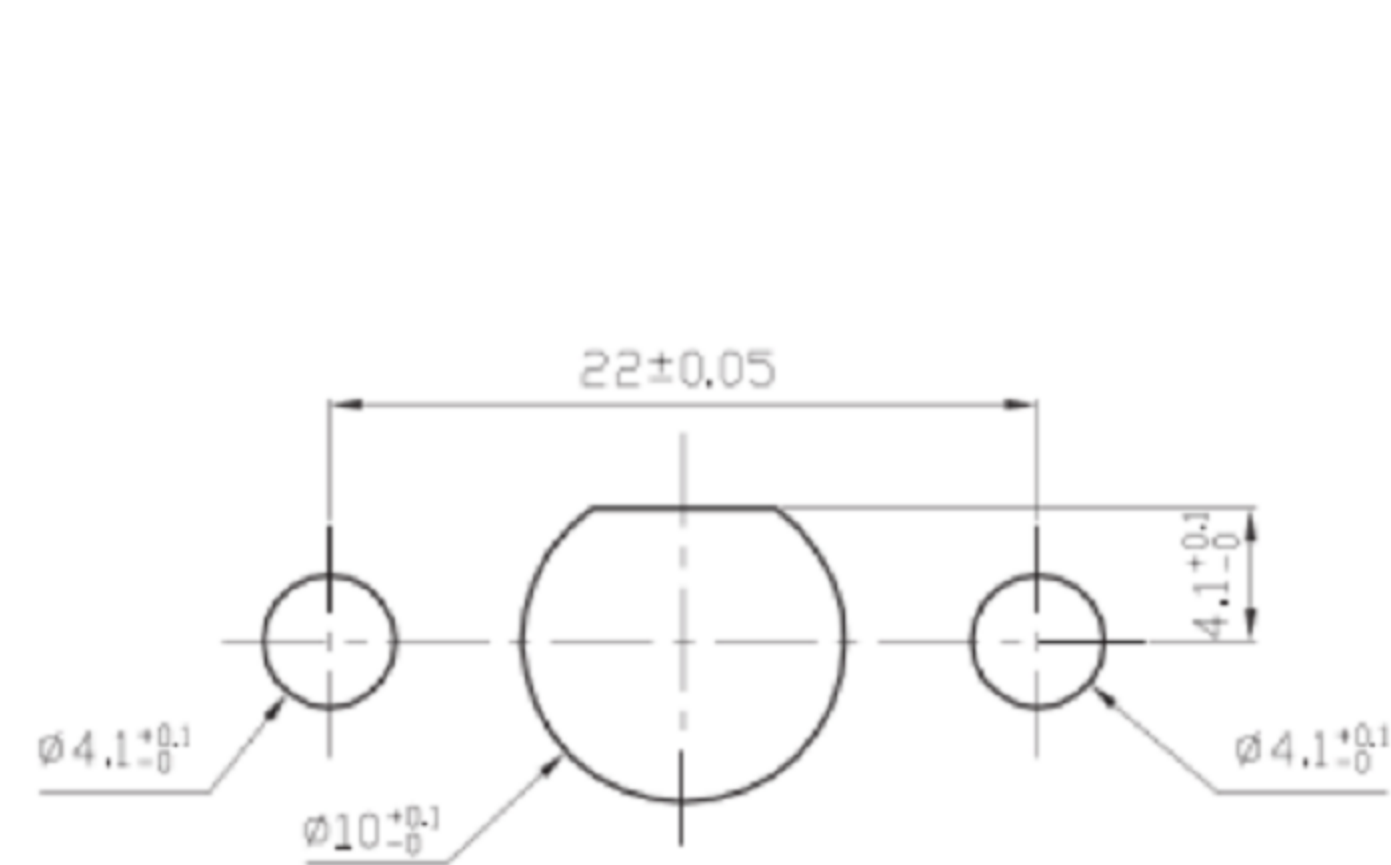
8A 125/250VAC (UL,CUL)  
12A-8(3)A250V-μT125/55(ENEC17,CQC)

Material (材質)

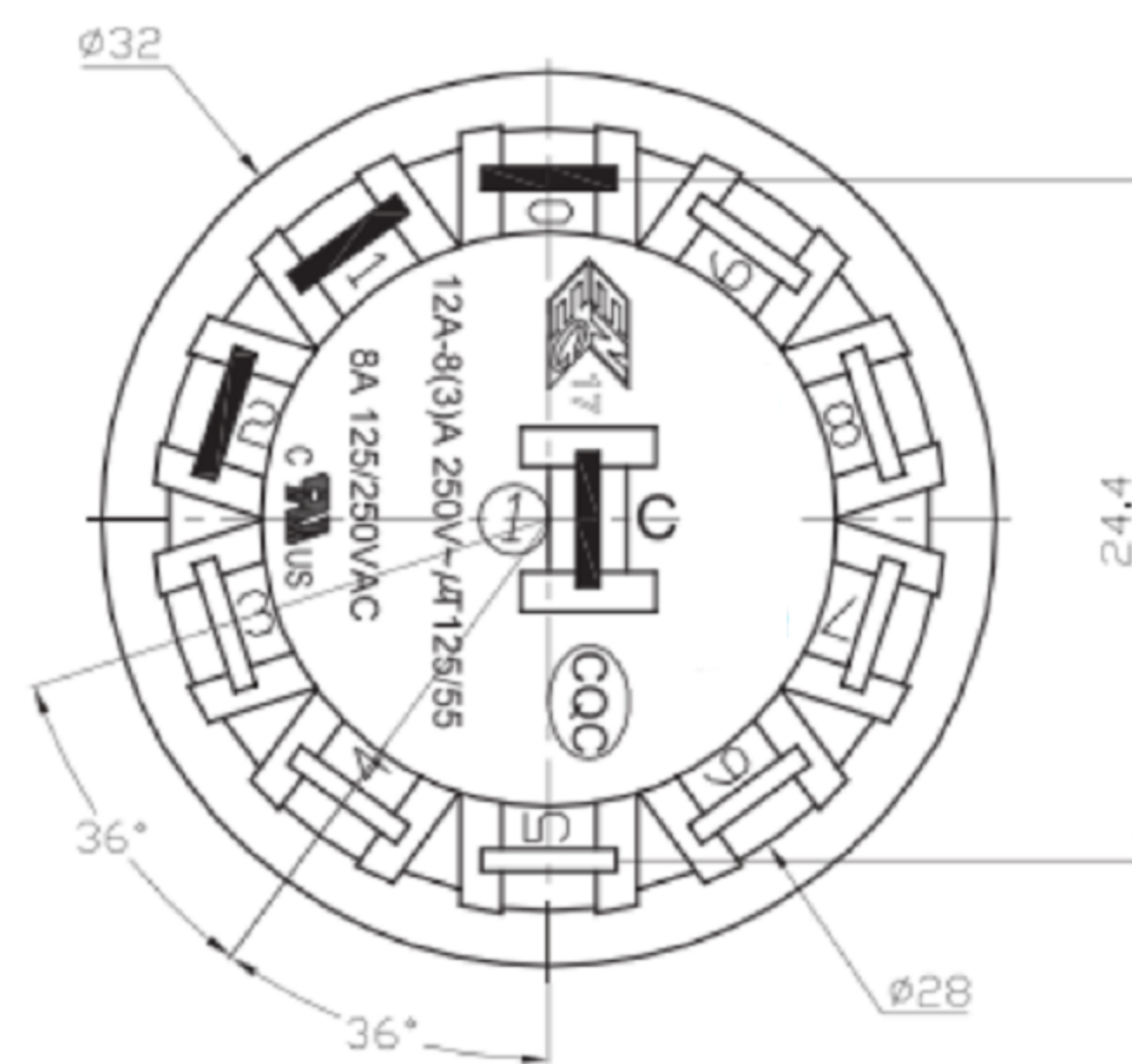
- (柄) ACTUATOR: PA66+30%GF(UL 94V-0)
- (上盖) CAP: PA66(UL 94V-0)
- (基座) BASE: PA66(UL 94V-0)
- (端子) TERMINAL: BRASS/COPPER ALLOY SILVER PLATED

Electrical (电气性能)

- (接触电阻) INITIAL CONTACT RESISTANCE: 50mΩ Max
- (操作力量) OPERATION FORCE: 600±300gf/1300±500gf/1000±3000gf
- (绝缘电阻) INSULATION RESISTANCE: 100MΩ Min 500VDC
- (耐电压) WITHSTAND VOLTAGE: 1KVAC FOR 1 MINUTE
- (电气寿命) ENDURANCE: 10,000 CYCLES Min



PANEL CUTOUT



CIRCUIT DIAGRAM

广东科斯达电子科技有限公司  
GUANG DONG KE SI DA ELECTRONIC TECHNOLOGY CO., LTD.

TOLERANCE UNLESS OTHERWISE STATED:  
Up to 5 ±0.2  
Above 5 ~ 15 ±0.3  
Above 15 ~ 30 ±0.4  
Above 30 ~ 50 ±0.5  
Angle ±0.3°

3RD. ANGEL'S

UNITS MM

DRAWN BY: Ming Ming Zou  
DATE: 07/10/13  
CHECKED BY: Ning Ning Su  
DATE: 07/10/13  
APPROVED BY: Jia Xiang  
DATE: 07/10/13

MAT'L		TITLE	ENCODER
FINISH		MODLE	ENCODER
SCALE	1:1	DWG NO.	K50-A
SHEET NO.	1 of 1	PART NO.	K50-A

ITEM NO.	DESCRIPTION	DRAWN	DATE

SIZE A4  
VER A