

Circuit diagram

SPECIFICATION 規格:

Rating 額定:

- 8A 125/250VAC (UL,CUL)
- 12A-8(3)A250V-μT125/55(ENEC17,CQC)

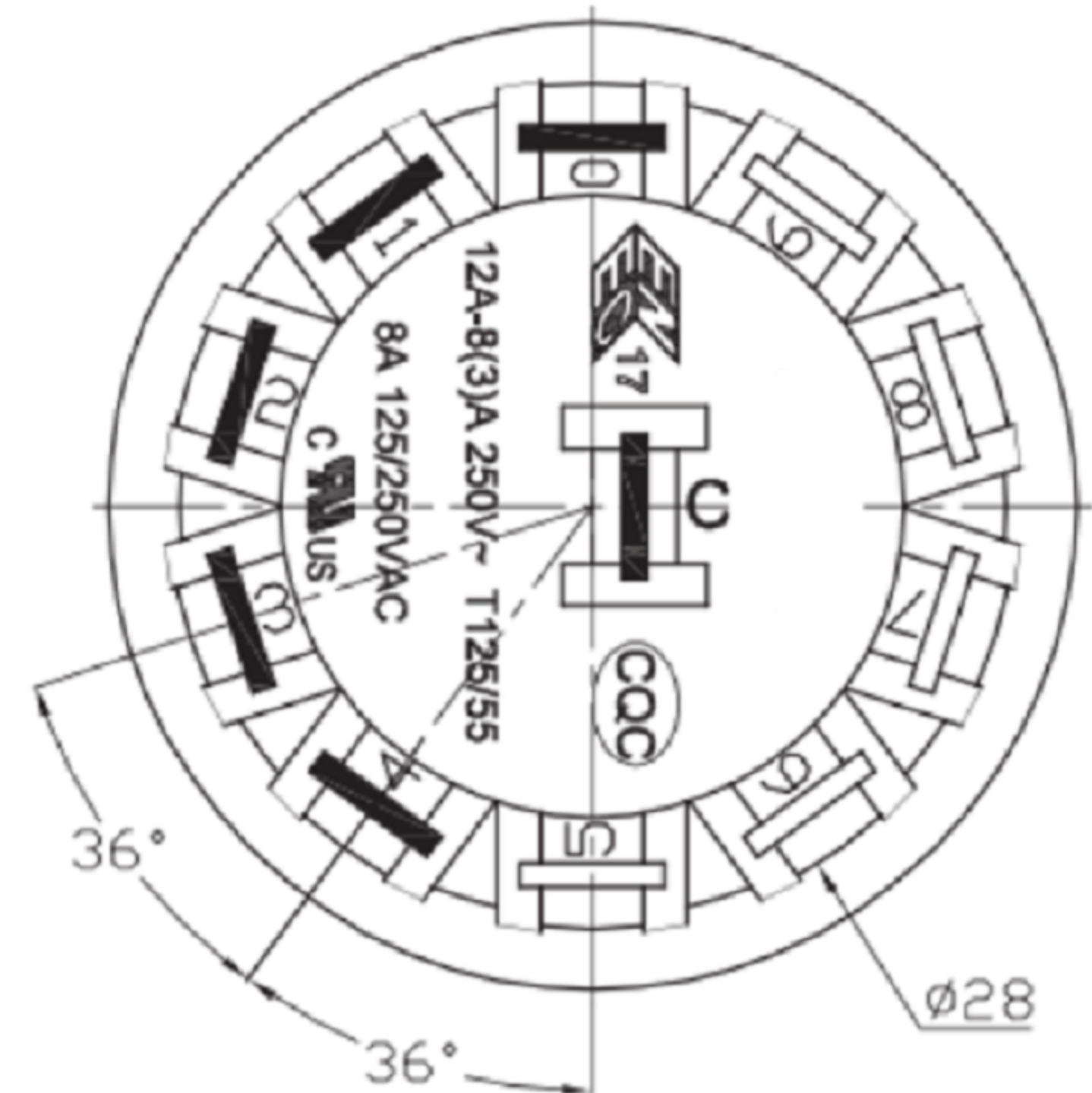
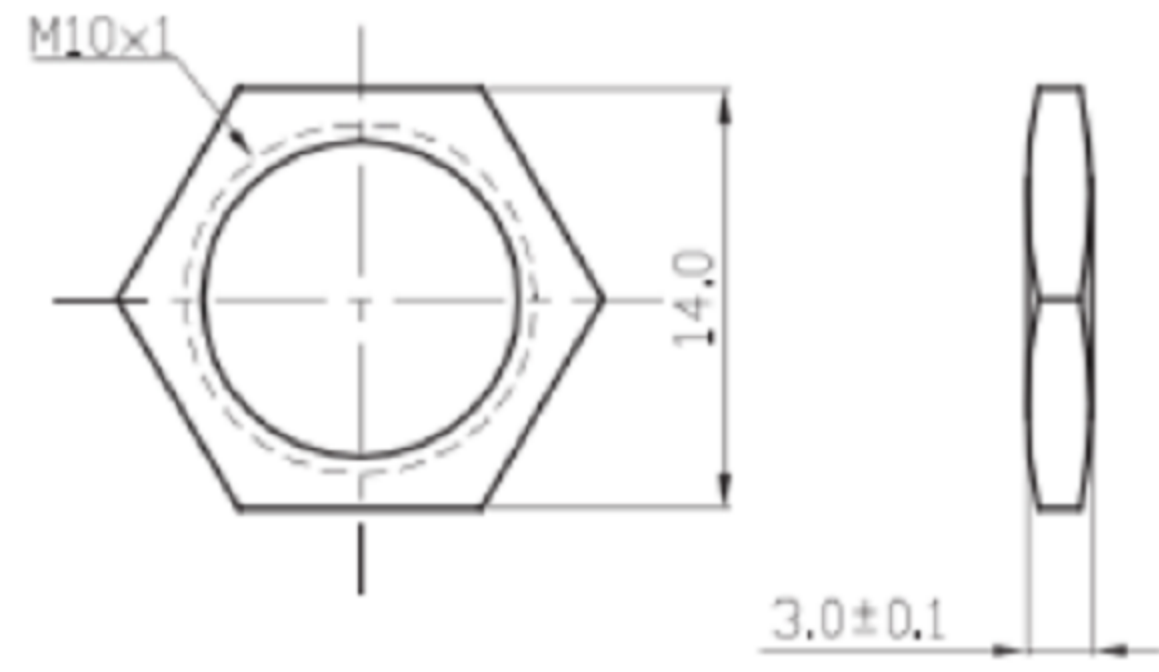
Material (材質)

- (柄) ACTUATOR: PA66+30%GF(UL 94V-0)
- (上蓋) CAP: PA66(UL 94V-0)
- (基座) BASE: PA66(UL 94V-0)
- (端子) TERMINAL: BRASS/COPPER ALLOY SILVER PLATED

Electrical (電氣性能)

- (接觸電阻) INITIAL CONTACT RESISTANCE: 50mΩ Max
- (操作力量) OPERATION FORCE: 600±300gf/1300±500gf/1000±3000gf
- (絕緣電阻) INSULATION RESISTANCE: 100MΩ Min 500VDC
- (耐電壓) WITHSTAND VOLTAGE: 1KVAC FOR 1 MINUTE
- (電氣壽命) ENDURANCE: 10,000 CYCLES Min

螺母配件



广东科斯达电子科技有限公司
GUANG DONG KE SI DA ELECTRONIC TECHNOLOGY CO., LTD.

TOLERANCE UNLESS OTHERWISE STATED:	Up to 5 ±0.2	Above 5 ~ 15 ±0.3	Above 15 ~ 30 ±0.4	Above 30 ~ 50 ±0.5	Angle ±0.3°
	3RD. ANGEL'S				
	UNITS MM				

DRAWN BY:	DATE
Ming Ming Zou	07/10/13
CHECKED BY:	DATE
Ning Ning Su	07/10/13
APPROVED BY:	DATE
Jia Xiang	07/10/13

MAT'L	TITLE	ENCODER
FINISH	MODLE	ENCODER
SCALE 1:1	DWG NO.	K50-A
SHEET NO. 1 of 1	PART NO.	K50-A

SIZE	A4
VER	A

ITEM NO.	DESCRIPTION	DRAWN	DATE