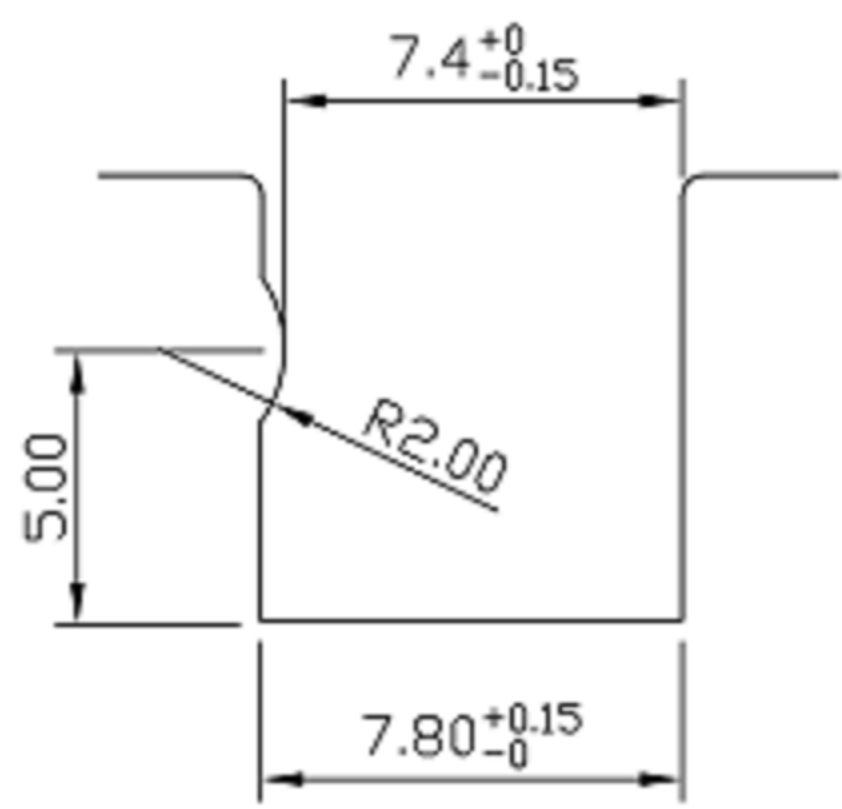
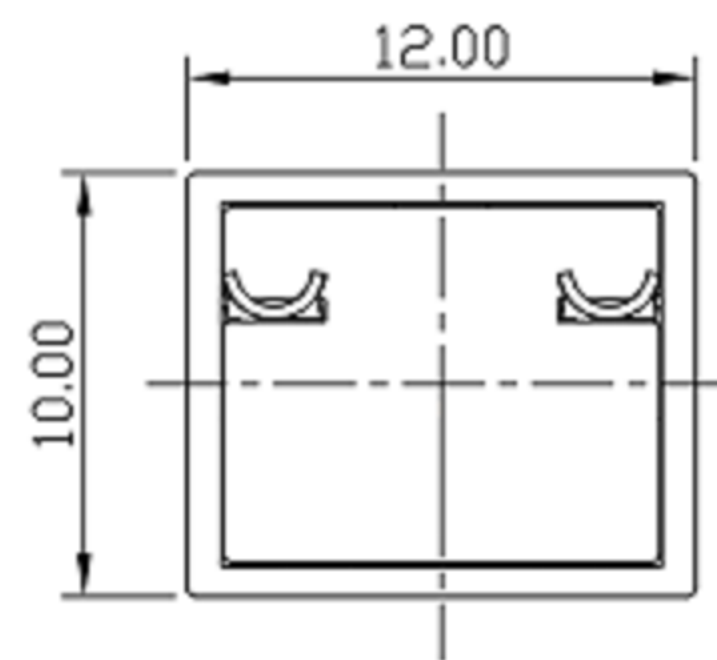


SPECIFICATIONS

Rating	DC 12V 0.1A
Contact Resistance	100mΩ Max
Insulation Resistance	50MΩ Min
Operating Force	40 ±20gf
Life	100,000 cycles



Panel cutout detail maximum panel thickness 1.0mm



NO.	PARTS	MATERIALS	Q'TY	FINISH
E	THERMINAL	PHOSPHOR BRONZE	4	Ag PLATED
D	CONTACT SPRING	PHOSPHOR BRONZE	1	Ag PLATED
C	COVER	PA46	1	BLACK
B	CASE	PA46	1	BLACK
A	KNOB	PA46	1	BLACK



TOLERANCE UNLESS OTHERWISE STATED:

Up to 5	±0.2
Above 5 ~ 15	±0.3
Above 15 ~ 30	±0.4
Above 30 ~ 50	±0.5
Angle	±0.3°

3RD. ANGEL'S

UNITS MM

DRAWN BY:	DATE	MAT'L	TITLE	SWITCH
Jack Lu	09/26/13		MODLE	DETECTOR SWITCH
CHECKED BY:	DATE	FINISH	DWG NO.	KSD-RS-PB221X
Jacky Chen	09/26/13		PART NO.	
APPROVED BY:	DATE	SCALE	SHEET NO.	1 of 1
Tony Kao	09/26/13	1 : 1		

ITEM NO.	DESCRIPTION	DRAWN	DATE