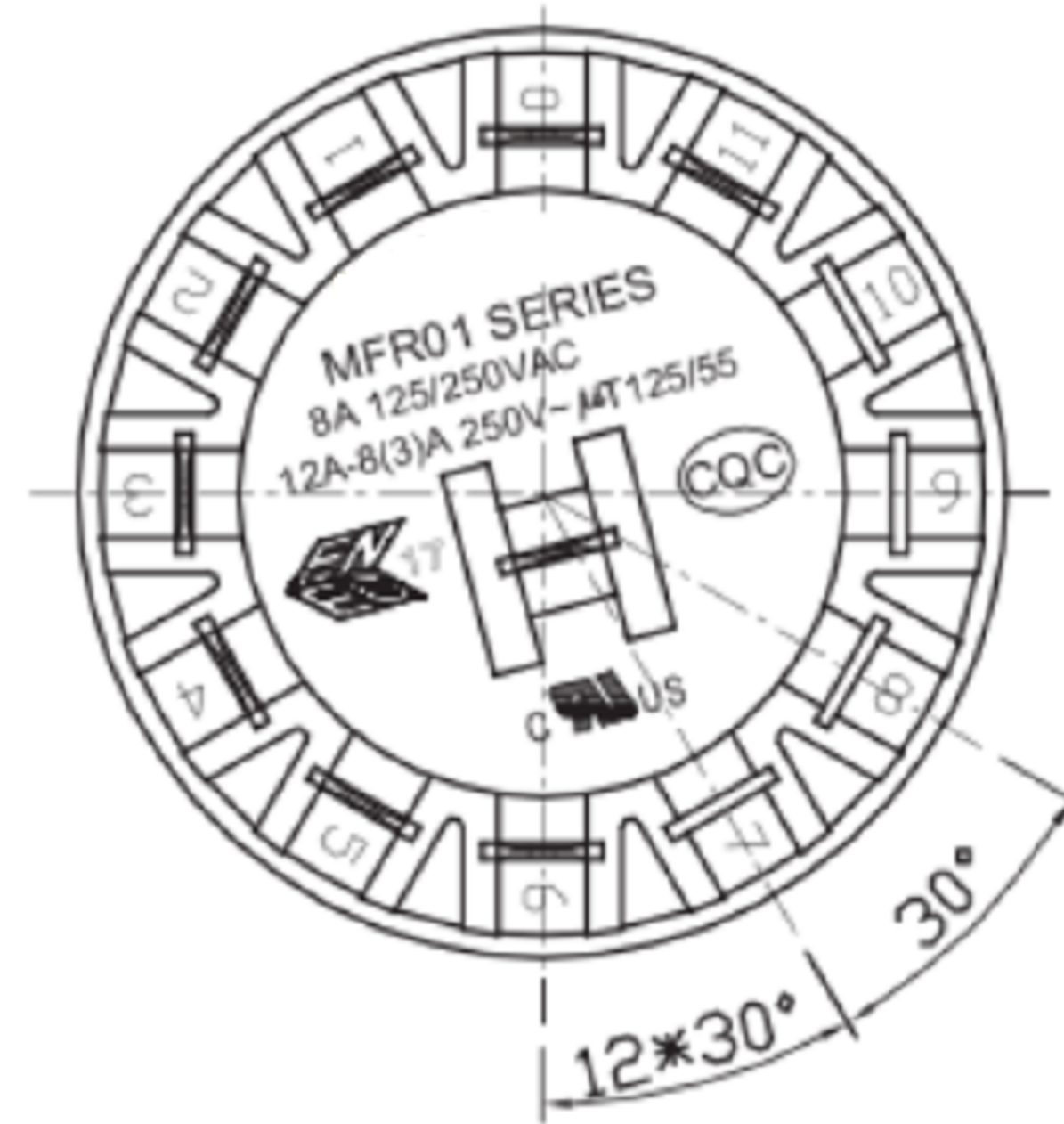
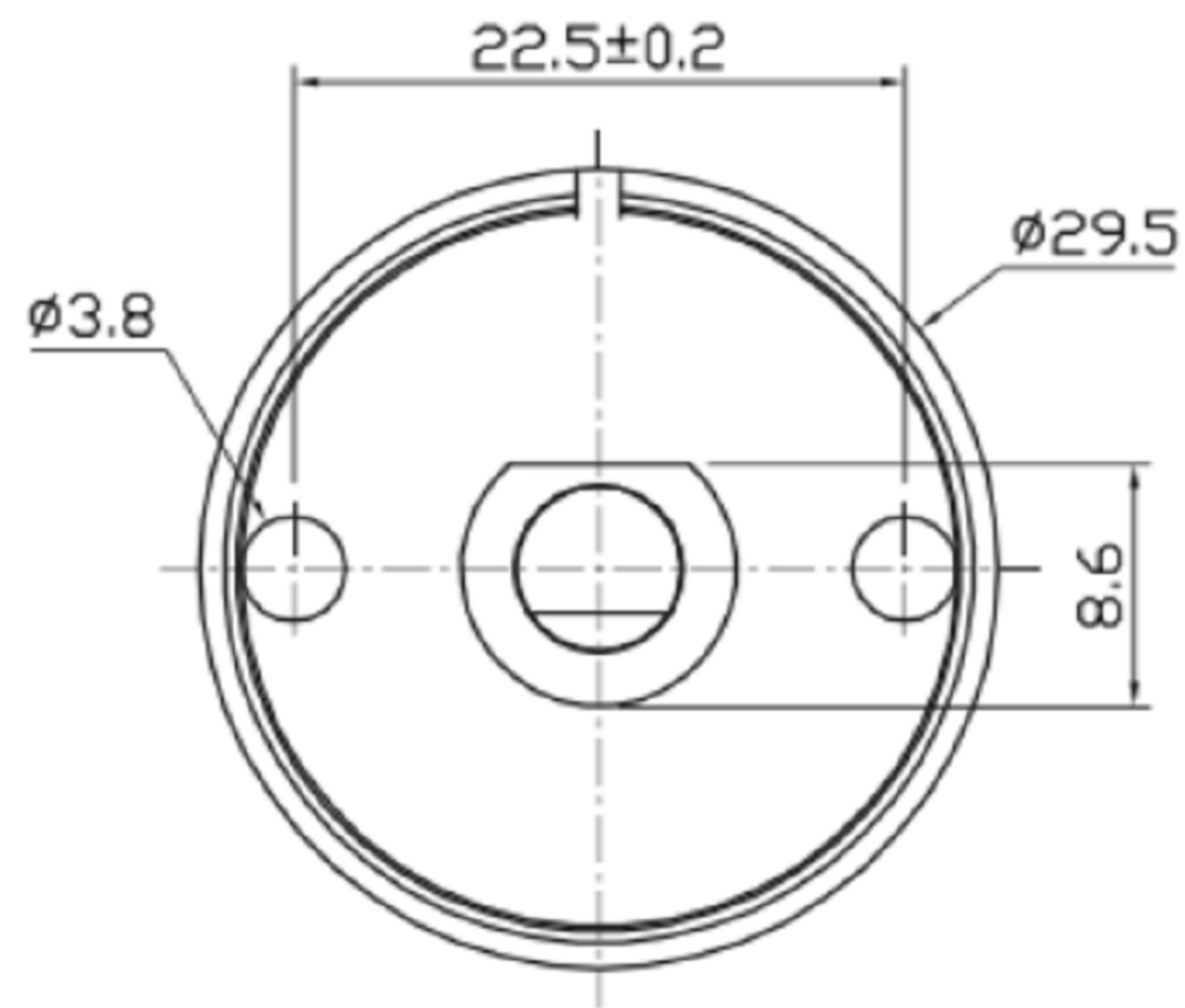
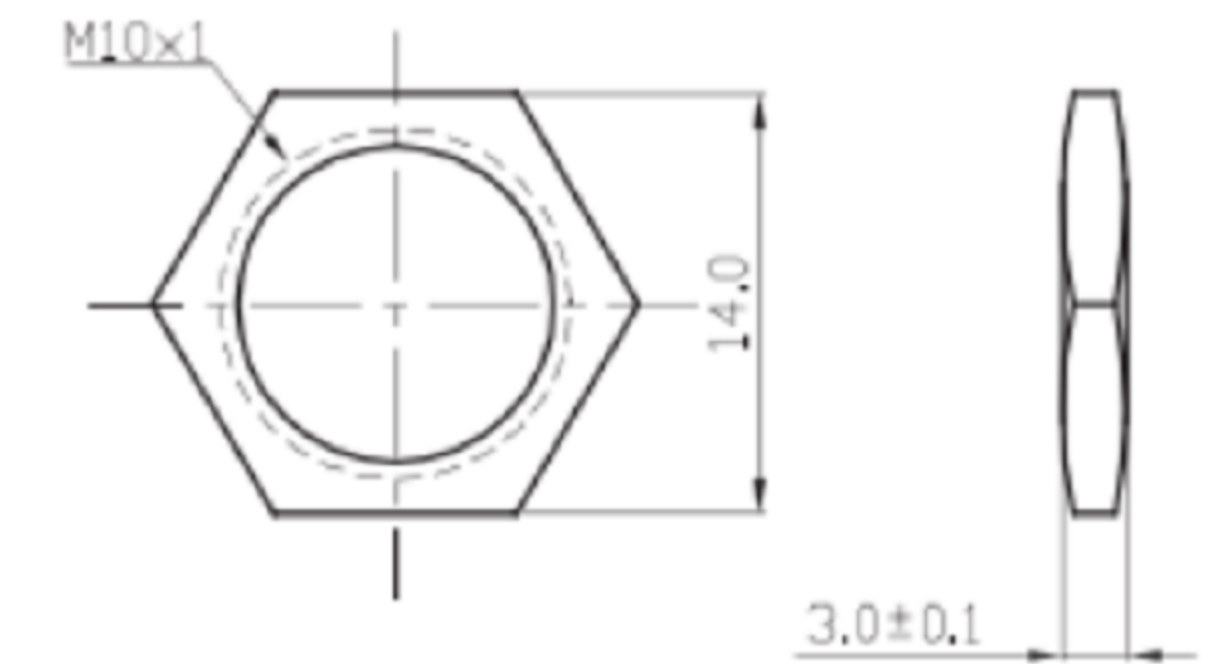


螺母配件



SPECIFICATION 规格:

Rating 额定:

8A 125/250VAC (UL,CUL)
12A-8(3)A250V-µT125/55(ENEC17,CQC)

Material (材質)

(柄) ACTUATOR:PA66+30%GF(UL 94V-0)
(上盖) CAP:PA66(UL 94V-0)
(基座) BASE: PA66(UL 94V-0)
(端子) TERMINAL: BRASS/COPPER ALLOY SILVER PLATED

Electrical (电气性能)

(接触电阻) INITIAL CONTACT RESISTANCE:50mΩ Max
(操作力量) OPERATION FORCE:600±300gf/1300±500gf/1000±3000gf
(绝缘电阻) INSULATION RESISTANCE:100MΩ Min 500VDC
(耐电压) WITHSTAND VOLTAGE:1KVAC FOR 1 MINUTE
(电气寿命) ENDURANCE:10,000 CYCLES Min

广东科斯达电子科技有限公司
GUANG DONG KE SI DA ELECTRONIC TECHNOLOGY CO., LTD.

TOLERANCE UNLESS OTHERWISE STATED:
Up to 5 ±0.2
Above 5 ~ 15 ±0.3
Above 15 ~ 30 ±0.4
Above 30 ~ 50 ±0.5
Angle ±0.3°

3RD. ANGEL'S

UNITS MM

DRAWN BY: DATE
Ming Ming Zou 07/10/13
CHECKED BY: DATE
Ning Ning Su 07/10/13
APPROVED BY: DATE
Jia Xiang 07/10/13

MAT'L		TITLE	ENCODER
FINISH		MODLE	ENCODER
SCALE	1:1	DWG NO.	K50-A
SHEET NO.	1 of 1	PART NO.	K50-A
		SIZE	A4
		VER	A

ITEM NO.	DESCRIPTION	DRAWN	DATE