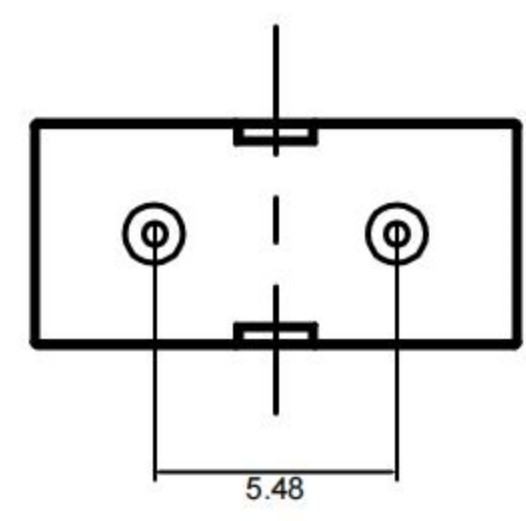


红 黑  
24AWG



NOTES:

- 1.MATERIAL:
  - MOLDING: LCP UL94 V-0
  - CONTACT: COPPER ALLOY.
  - GOLD PLATED Min ON CONTACT AREA, 100u"
  - Min TIN (LEAD FREE) ON SOLDER AREA,
  - SHELL: SUS304-H,T=0.30±0.03mm
  - 50u" NICKEL PLATING OVER ALL.
- 2.MECHANICAL:
  - INSERTION: 5~20N.
  - EXTRACTION: 8~20N AFTER TEST.
  - DURABILITY: 10000 CYCLES
- 3.ELECTRICAL:
  - CURRENT: 3A FOR VBUS;
  - 1.25A FOR GND PIN.
  - 0.25A FOR OTHER.
  - VOLTAGE: 20 V MAX
  - WITHSTANDING VOLTAGE: 100V AC R.M.S.
  - CONTACT RESISTANCE: 40mΩ MAX.
  - INSULATION RESISTANCE: 100MΩ MIN.
- 4.ENVIRONMENTAL
  - TEMPERATURE RANGE -25°C ~ +85°C

4	更新pcb layout尺寸	Jack	083019
3	新增pcb layout尺寸	Jack	082919
2	更新料號	Jack	061219
1	更新圖面樣式及尺寸	Jack	091818
ITEM NO.	DESCRIPTION	DRAWN	DATE

广东科斯达电子科技有限公司  
GUANG DONG KE SI DA ELECTRONIC TECHNOLOGY CO., LTD.

TOLERANCE UNLESS OTHERWISE STATED:

Up to 5	±0.2
Above 5 ~ 15	±0.3
Above 15 ~ 30	±0.4
Above 30 ~ 50	±0.5
Angle	±0.3°

3RD. ANGEL'S UNITS MM

DRAWN BY:	DATE	MAT'L	TITLE	CONNECTOR
Ming Ming Zou	11/19/14			
CHECKED BY:	DATE	FINISH	MODLE	USB C TYPE
Ning Ning Su	11/19/14			
APPROVED BY:	DATE	SCALE	DWG NO.	SIZE
Jia Xiang	11/19/14	1:1		A4
		SHEET NO.	PART NO.	VER
		1 of 1		R4