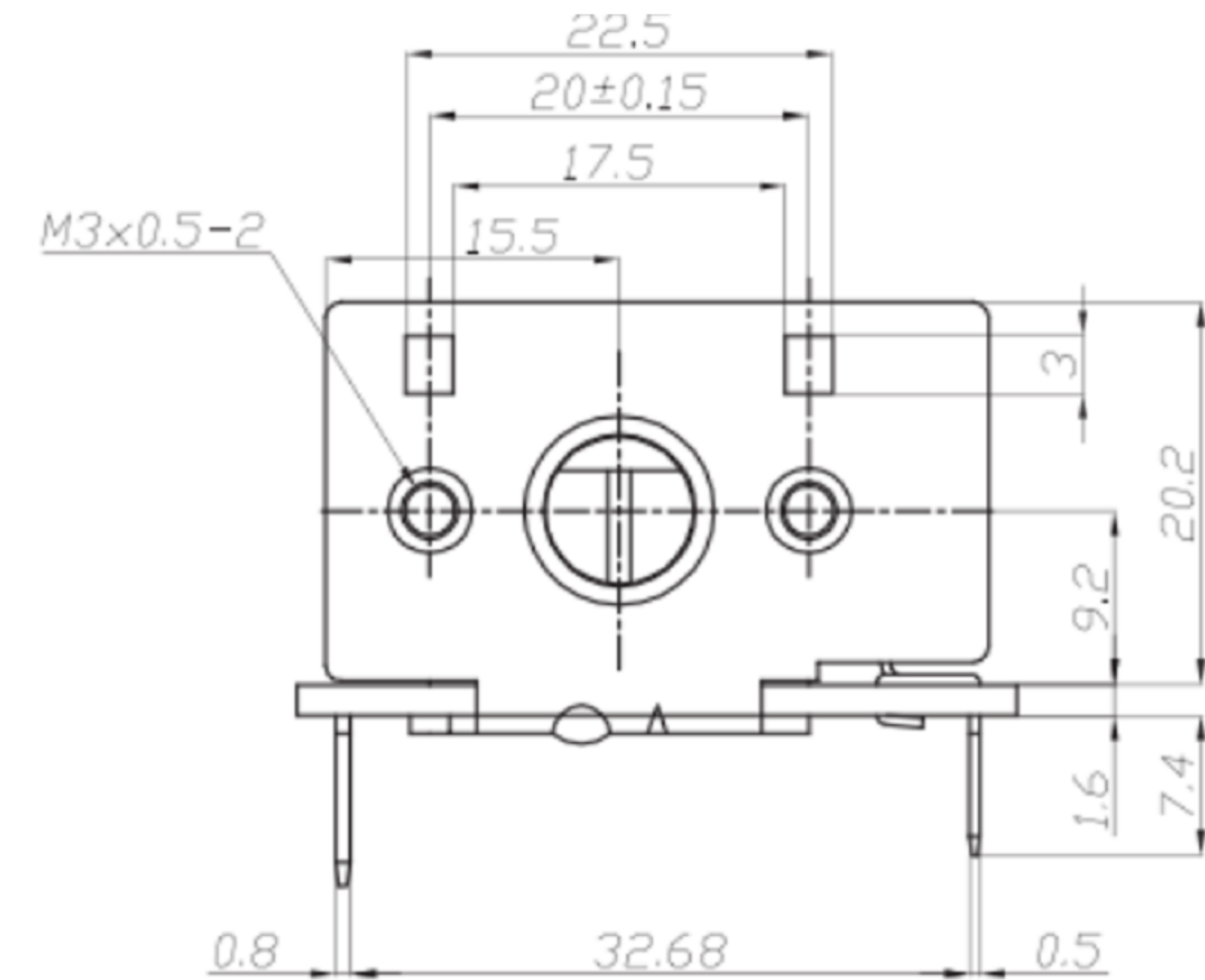
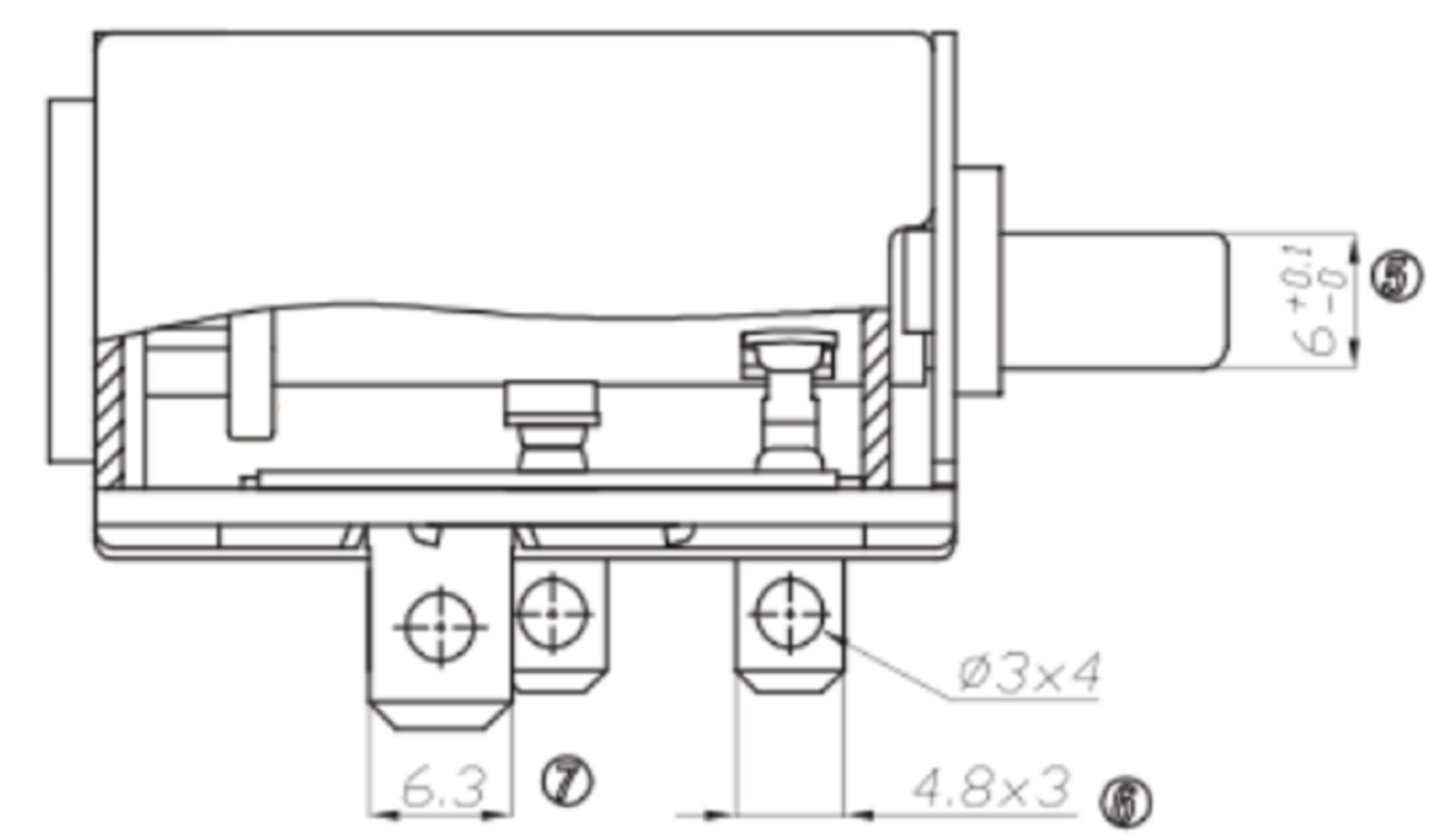


SPECIFICATION 規格:

Rating 額定:

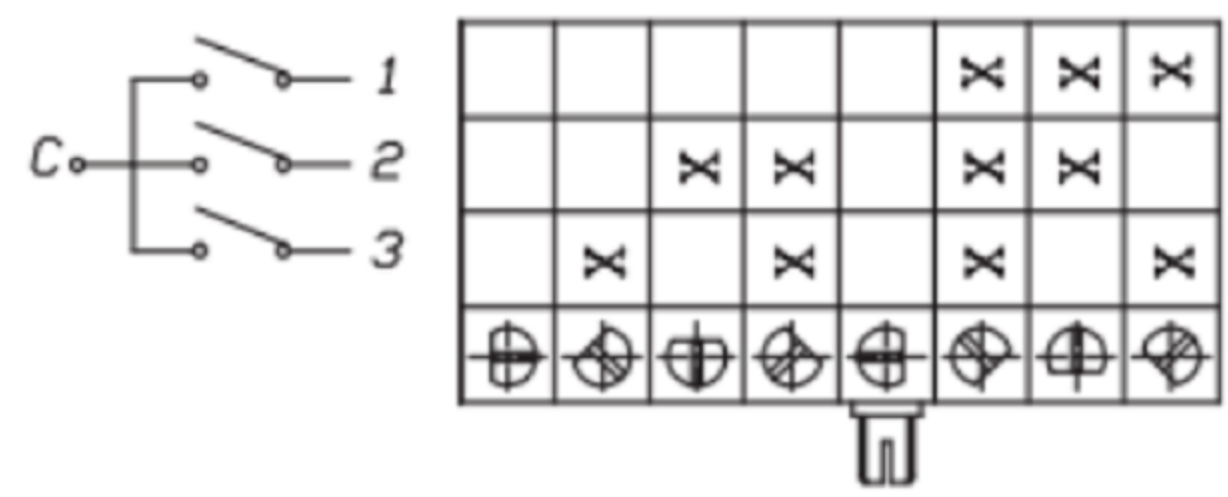
- 16A 125VAC (CQC)
- 12A 250VAC (CQC)



Electrical (電氣性能)

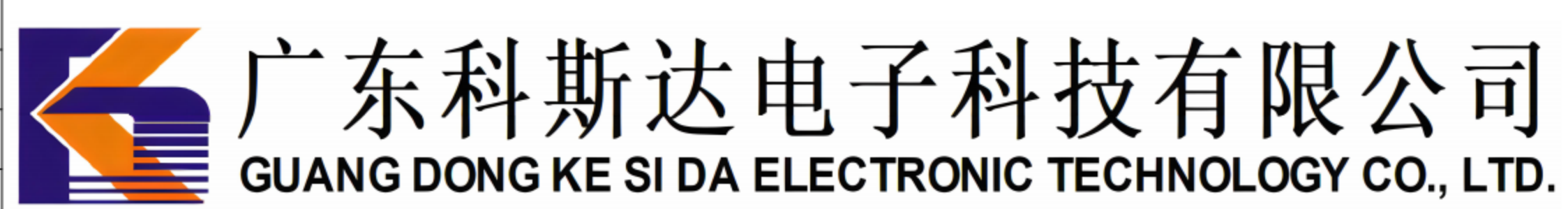
- (接觸電阻) INITIAL CONTACT RESISTANCE: 50mΩ Max
- (操作力量) OPERATION FORCE: 750-1500gf
- (絕緣電阻) INSULATION RESISTANCE: 100MΩ Min 500VDC
- (耐電壓) WITHSTAND VOLTAGE: 1500VAC FOR 1 MINUTE
- (電氣壽命) ENDURANCE: 10,000 CYCLES

**1 POLE 8 POSITIONS
FUNCTION 1**



Material (材質)

- (柄) ACTUATOR: PA66+30%GF/PBT+30%GF (UL 94V-0)
- (電木板) BASE: PHENOLIC LAMINATE (UL 94V-0)
- (鐵殼) BRACKET: SPCC ZINC PLATED
- (端子) TERMINAL: COPPER ALLOY
- (接點) CONTACT: SILVER ALLOY



TOLERANCE UNLESS OTHERWISE STATED: Up to 5 ±0.2, Above 5 ~ 15 ±0.3, Above 15 ~ 30 ±0.4, Above 30 ~ 50 ±0.5, Angle ±0.3°

3RD. ANGEL'S

UNITS MM

DRAWN BY:	DATE	MAT'L	TITLE	ENCODER
Ming Ming Zou	07/10/13	FINISH	MODLE	ENCODER
CHECKED BY:	DATE	SCALE	DWG NO.	SIZE
Ning Ning Su	07/10/13	1:1		A4
APPROVED BY:	DATE	SHEET NO.	PART NO.	VER
Jia Xiang	07/10/13	1 of 1		A

ITEM NO.	DESCRIPTION	DRAWN	DATE