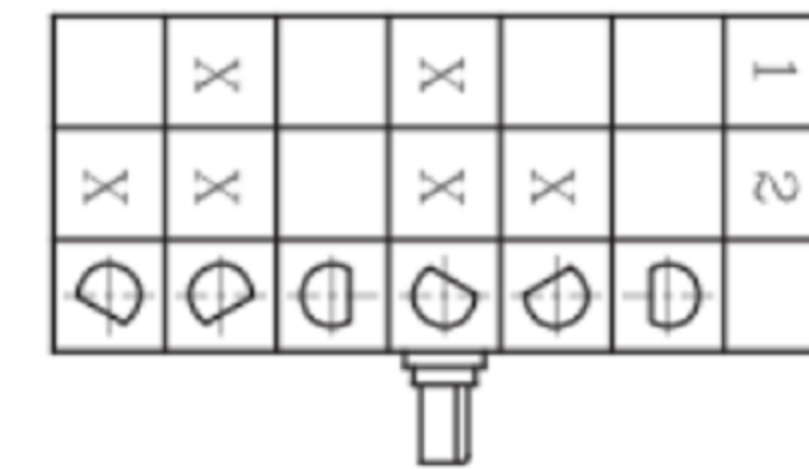


1POLE 6 POSITIONS
FUNCTION 3



SPECIFICATION 規格:

Rating 額定:

16A 125VAC (CQC)

12A 250VAC (CQC)

Electrical (電氣性能)

(接觸電阻) INITIAL CONTACT RESISTANCE: 50mΩ Max

(操作力量) OPERATION FORCE: 750-1500gf

(絕緣電阻) INSULATION RESISTANCE: 100MΩ Min 500VDC

(耐電壓) WITHSTAND VOLTAGE: 1500VAC FOR 1 MINUTE

(電氣壽命) ENDURANCE: 10,000 CYCLES

Material (材質)

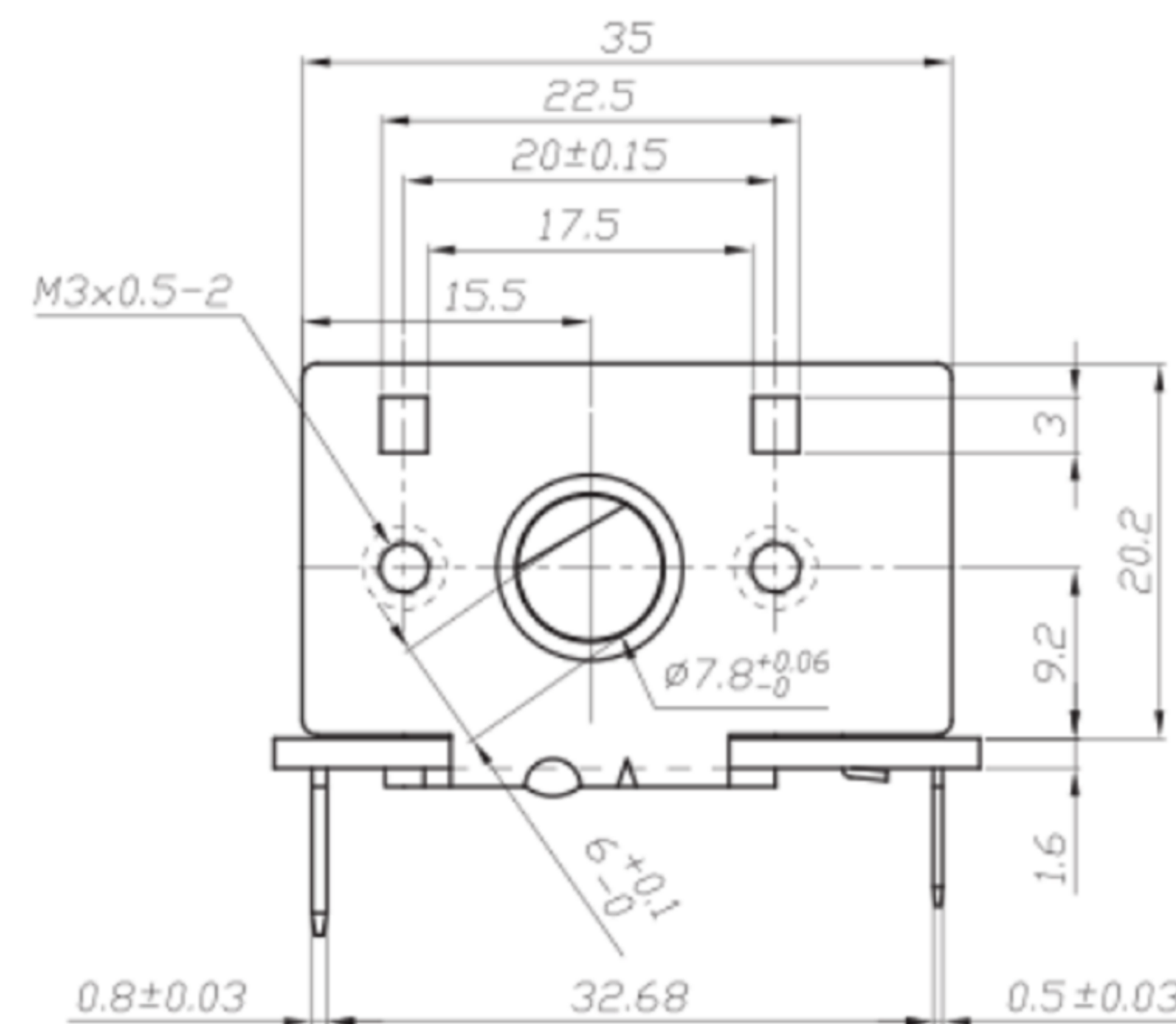
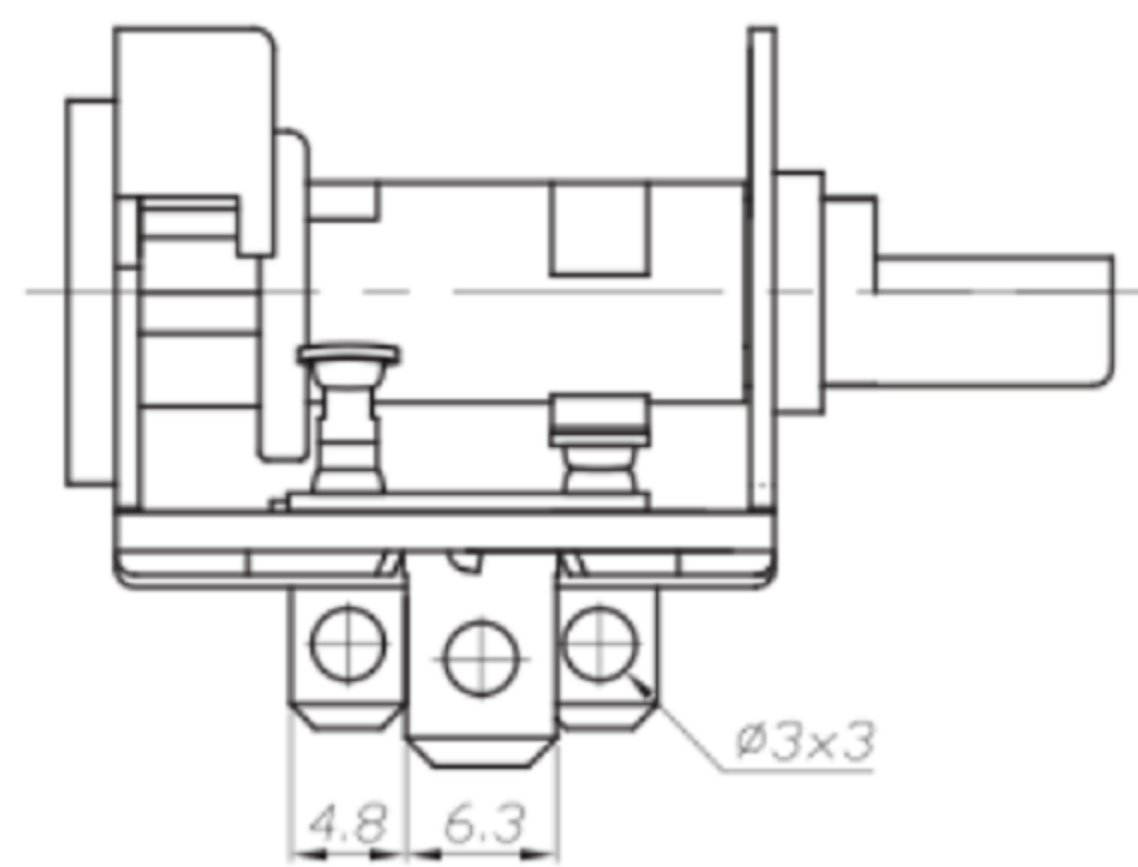
(柄) ACTUATOR: PA66+30%GF/PBT+30%GF (UL 94V-0)

(電木板) BASE: PHENOLIC LAMINATE (UL 94V-0)

(鐵殼) BRACKET: SPCC ZINC PLATED

(端子) TERMINAL: COPPER ALLOY

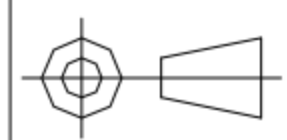
(接點) CONTACT: SILVER ALLOY



广东科斯达电子科技有限公司
GUANG DONG KE SI DA ELECTRONIC TECHNOLOGY CO., LTD.

TOLERANCE UNLESS OTHERWISE STATED:
Up to 5 ±0.2
Above 5 ~ 15 ±0.3
Above 15 ~ 30 ±0.4
Above 30 ~ 50 ±0.5
Angle ±0.3°

3RD. ANGEL'S



UNITS

MM

DRAWN BY: Ming Ming Zou
DATE: 07/10/13
CHECKED BY: Ning Ning Su
DATE: 07/10/13
APPROVED BY: Jia Xiang
DATE: 07/10/13

MAT'L		TITLE	ENCODER
FINISH		MODLE	ENCODER
SCALE	1:1	DWG NO.	
SHEET NO.	1 of 1	PART NO.	
		SIZE	A4
		VER	A

ITEM NO.	DESCRIPTION	DRAWN	DATE