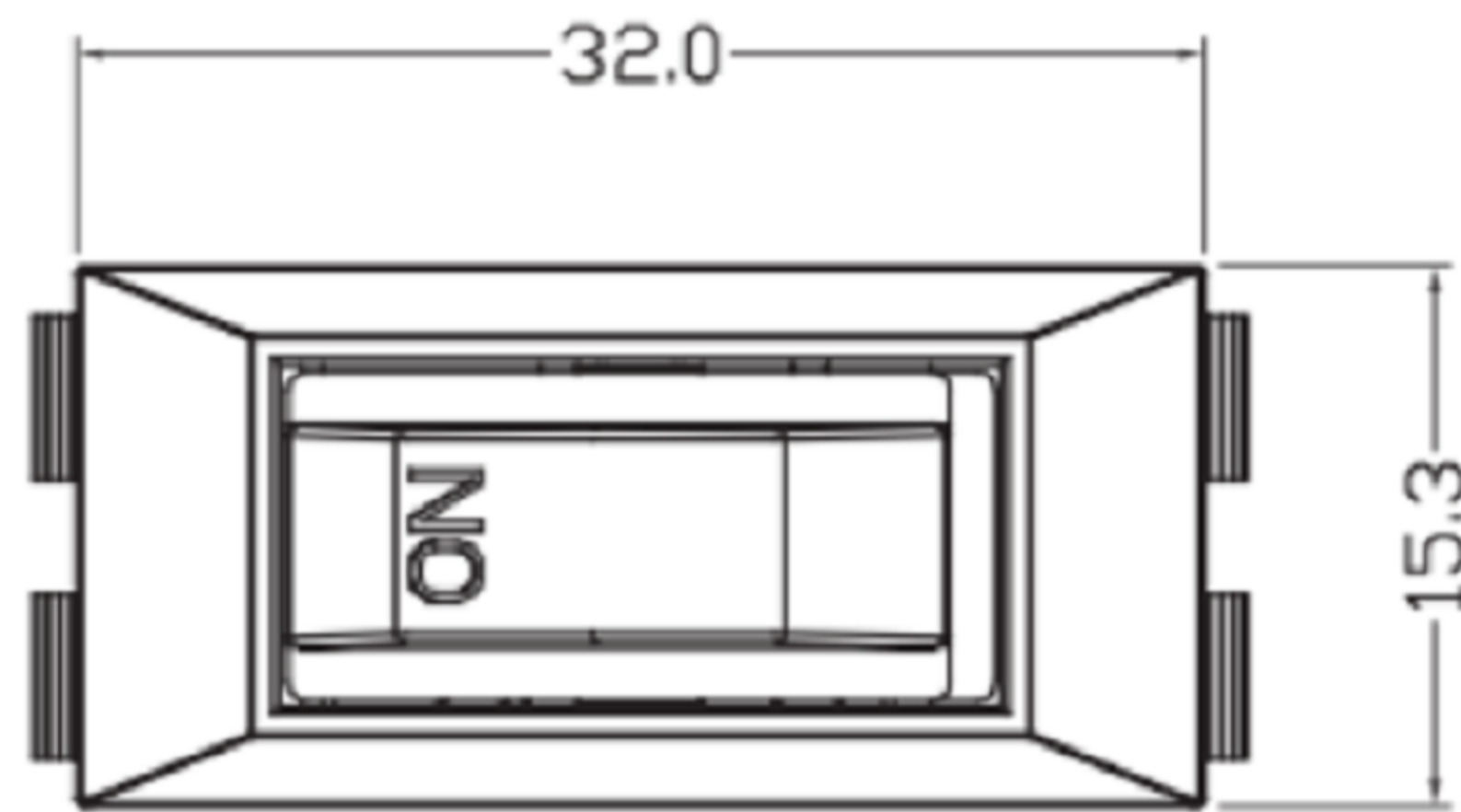
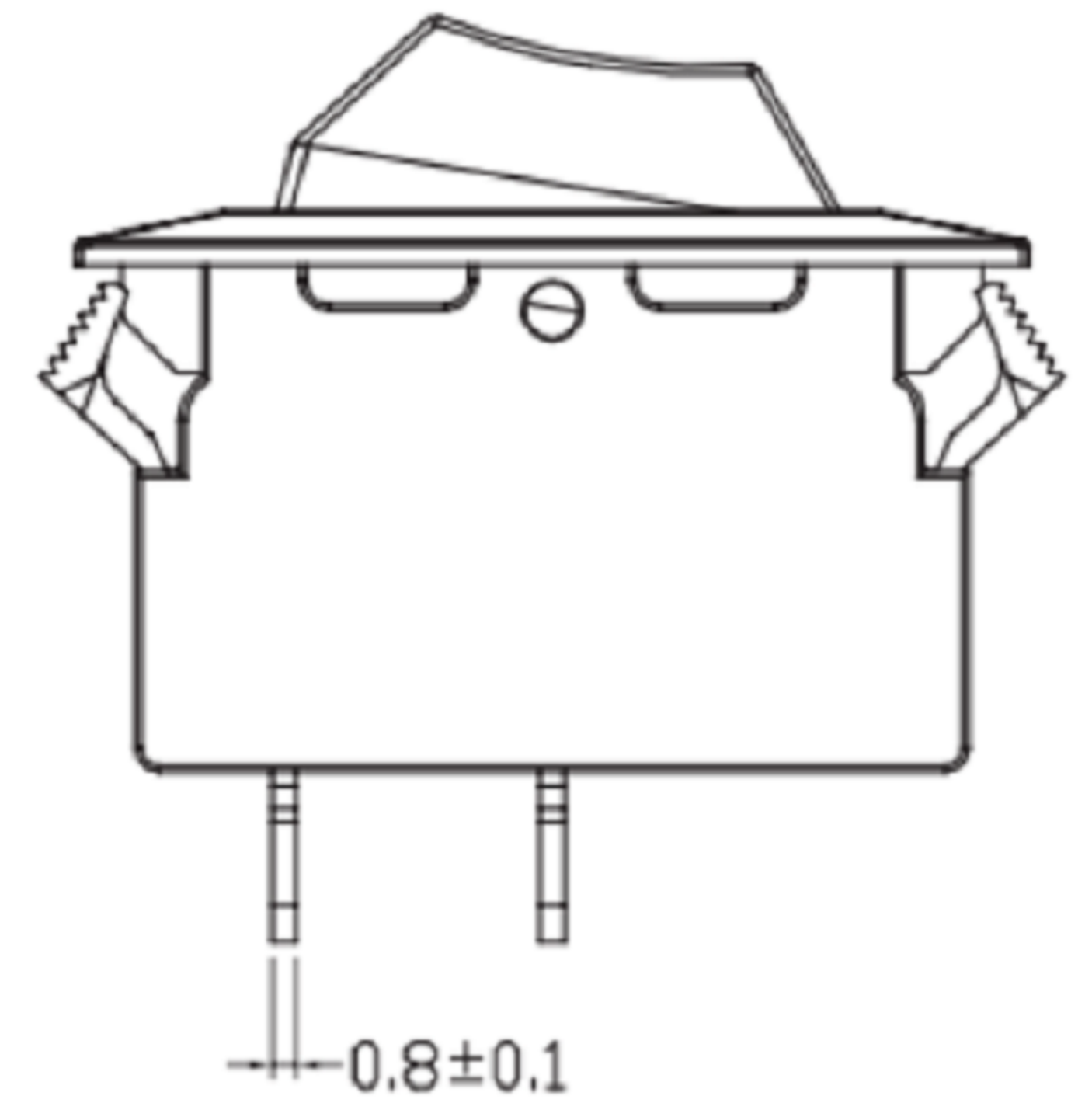
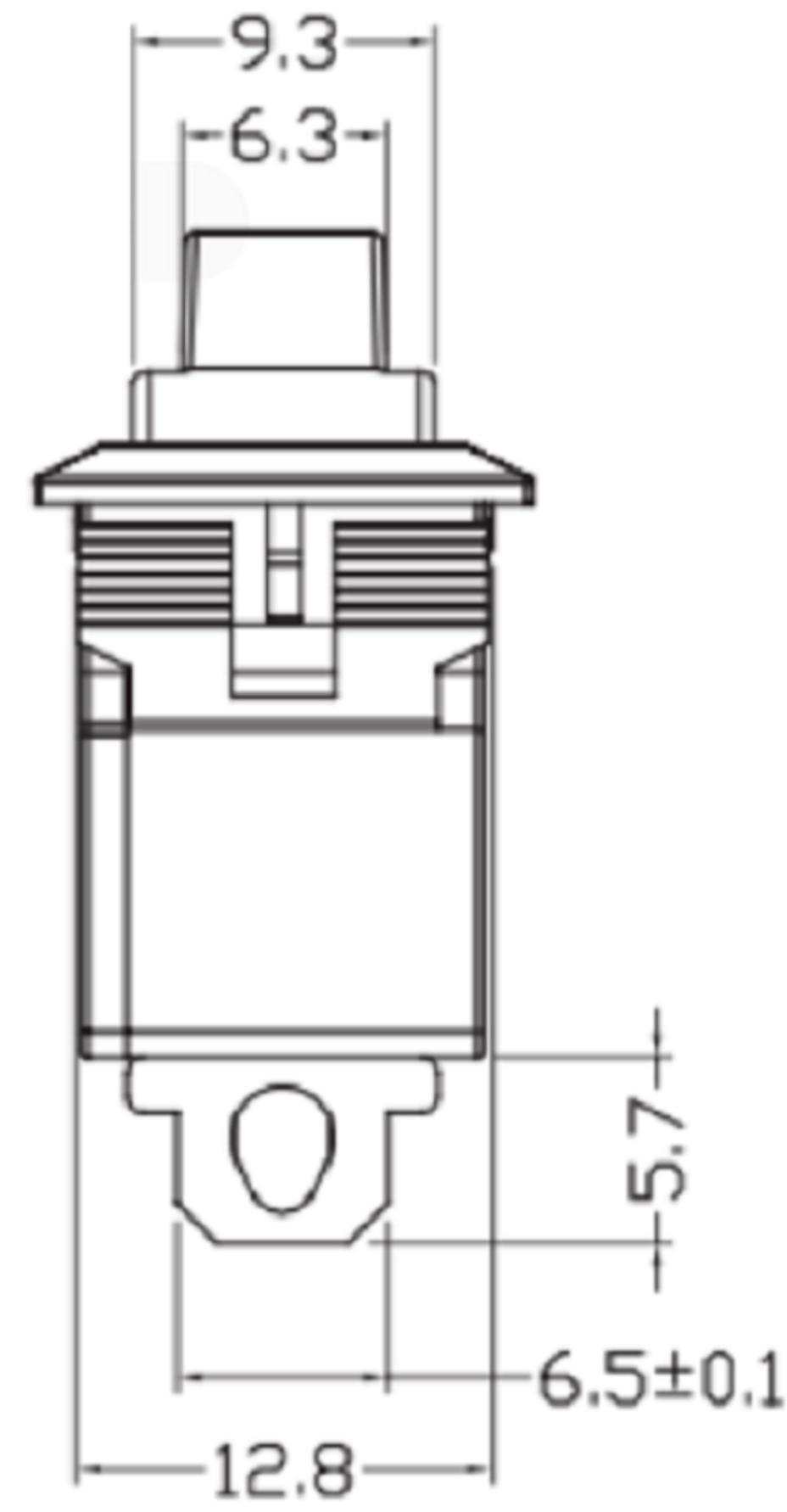
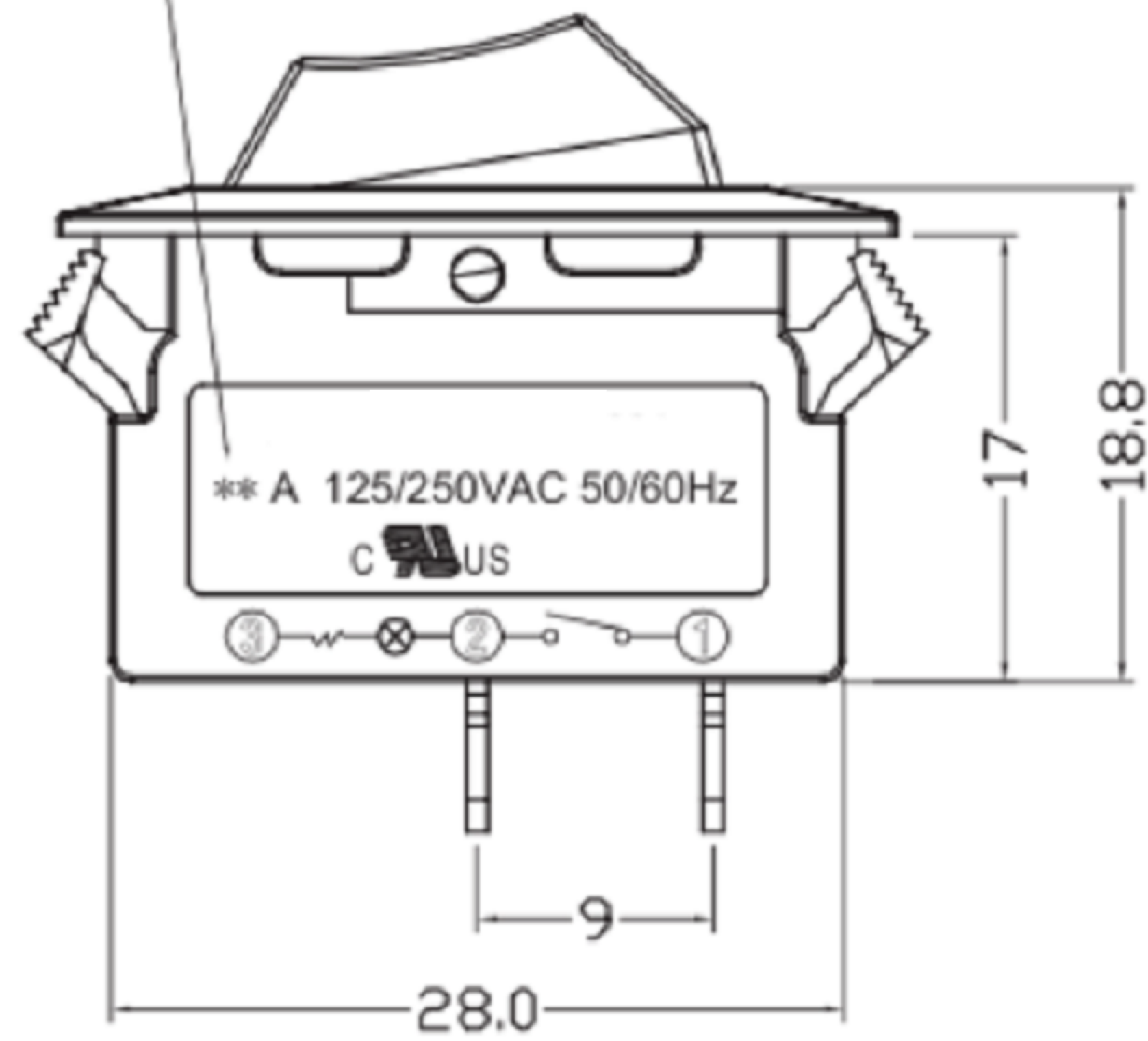


额定电流



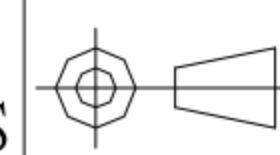
技术参数:

- 1、额定电器性能: 3~16A 125/250VAC (UL;CUL) ;
- 2、动作时间标准: 环境温度25°C电流200% (6~32A) 时3到60秒内断开;
- 3、耐压: 1500VAC/0.5mA/1min无闪络、无击穿;
- 4、机械寿命: ≥10000次;

 **广东科斯达电子科技有限公司**
GUANG DONG KE SI DA ELECTRONIC TECHNOLOGY CO., LTD.

TOLERANCE UNLESS OTHERWISE STATED:
 Up to 5 ±0.2
 Above 5 ~ 15 ±0.3
 Above 15 ~ 30 ±0.4
 Above 30 ~ 50 ±0.5
 Angle ±0.3°

3RD. ANGEL'S



UNITS MM

DRAWN BY:	DATE
Ming Ming Zou	07/10/13
CHECKED BY:	DATE
Ning Ning Su	07/10/13
APPROVED BY:	DATE
Jia Xiang	07/10/13

MAT'L		TITLE	SWITCH
FINISH		MODLE	SWITCH
SCALE	2:1	DWG NO.	
SHEET NO.	1 of 1	PART NO.	
		SIZE	A4
		VER	R1

1	更新開關位置	Jack	071013
ITEM NO.	DESCRIPTION	DRAWN	DATE