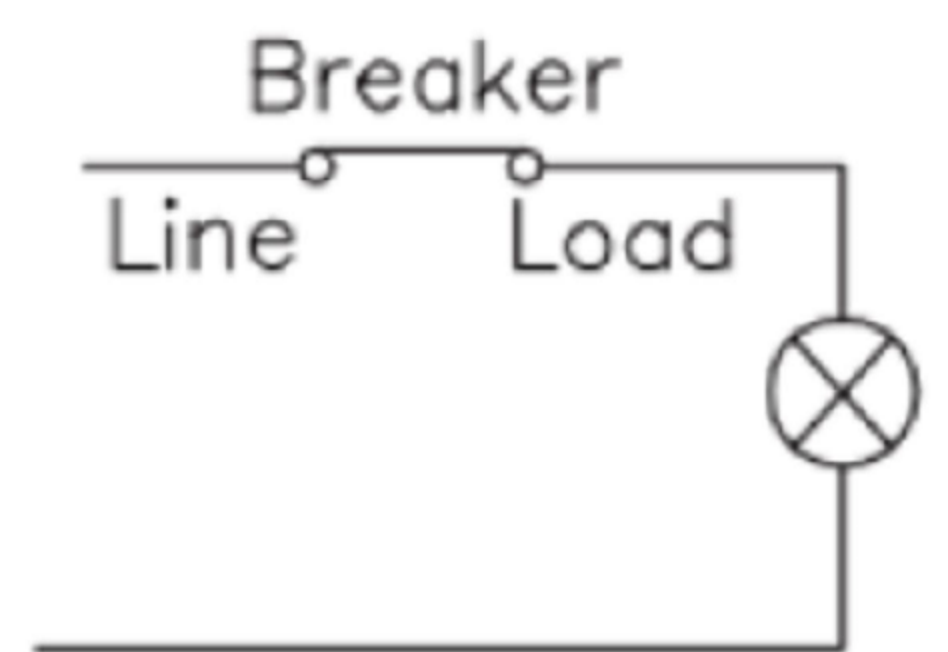
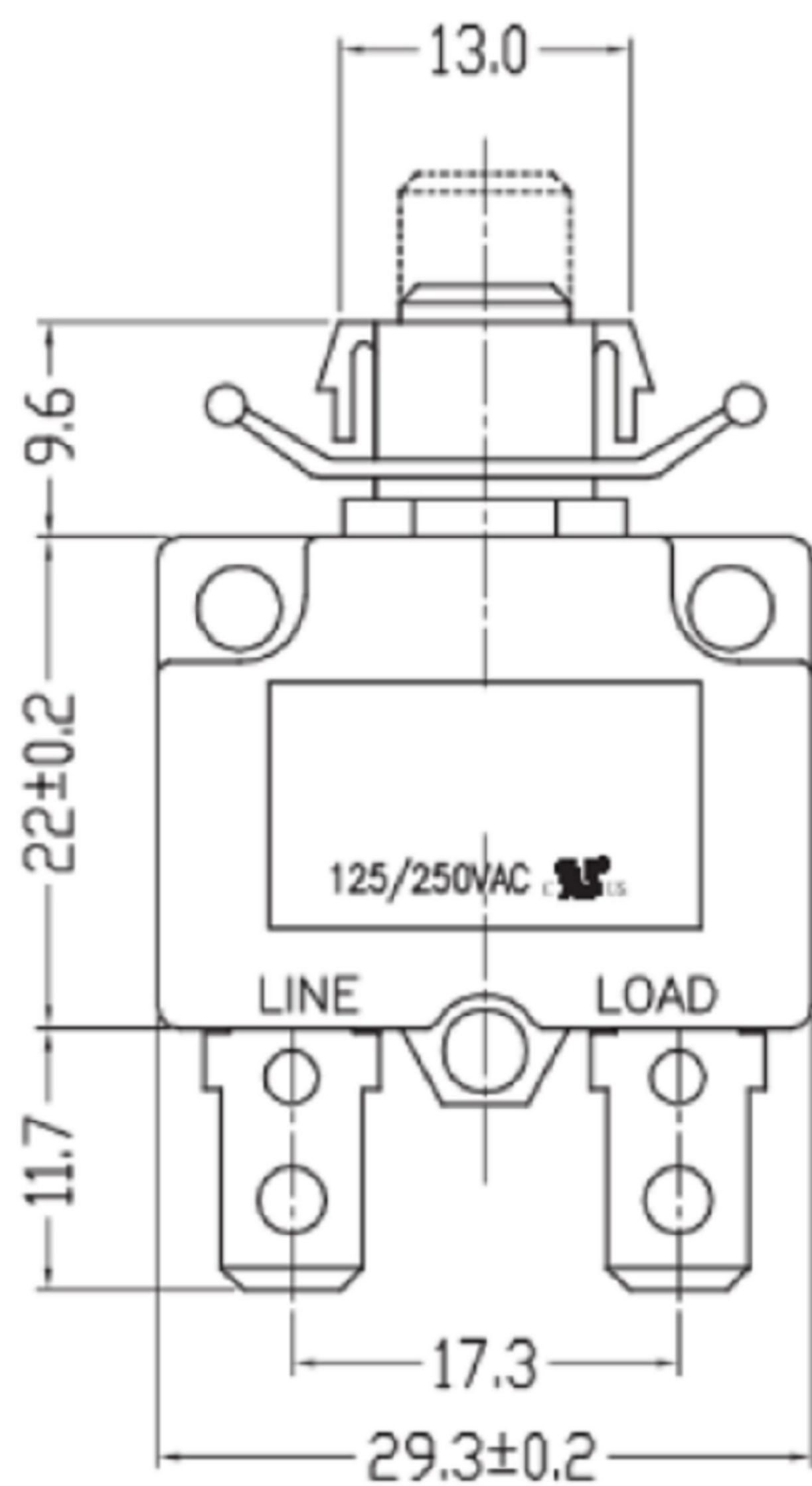
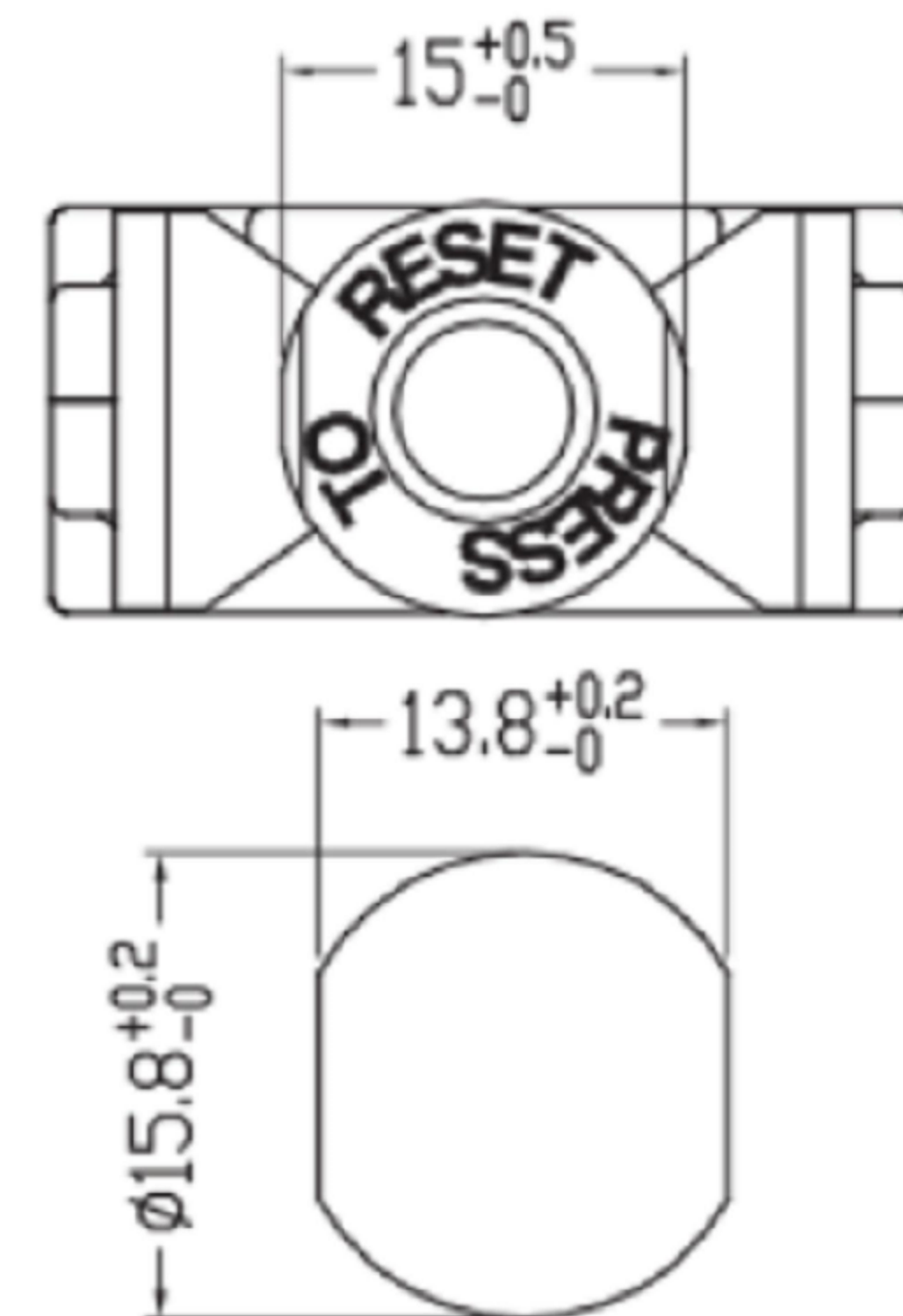
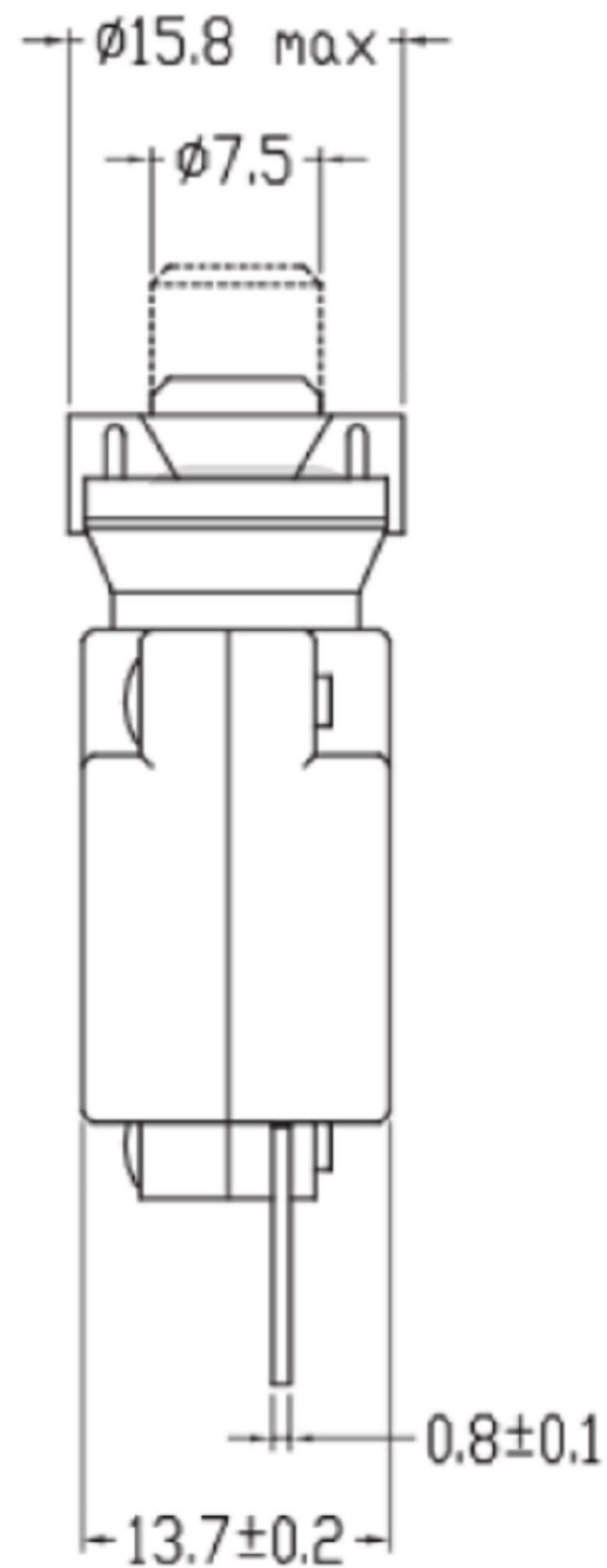


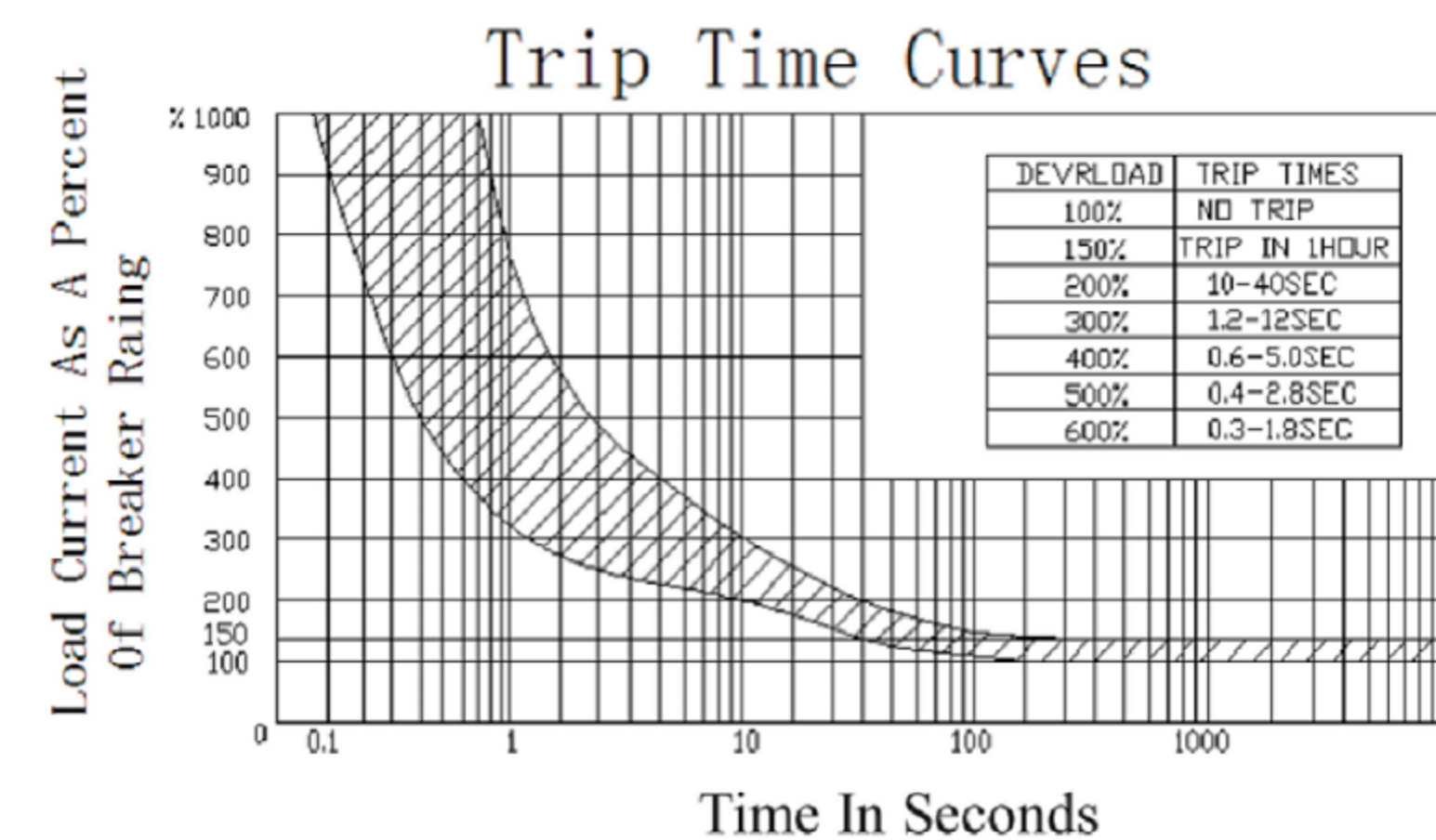
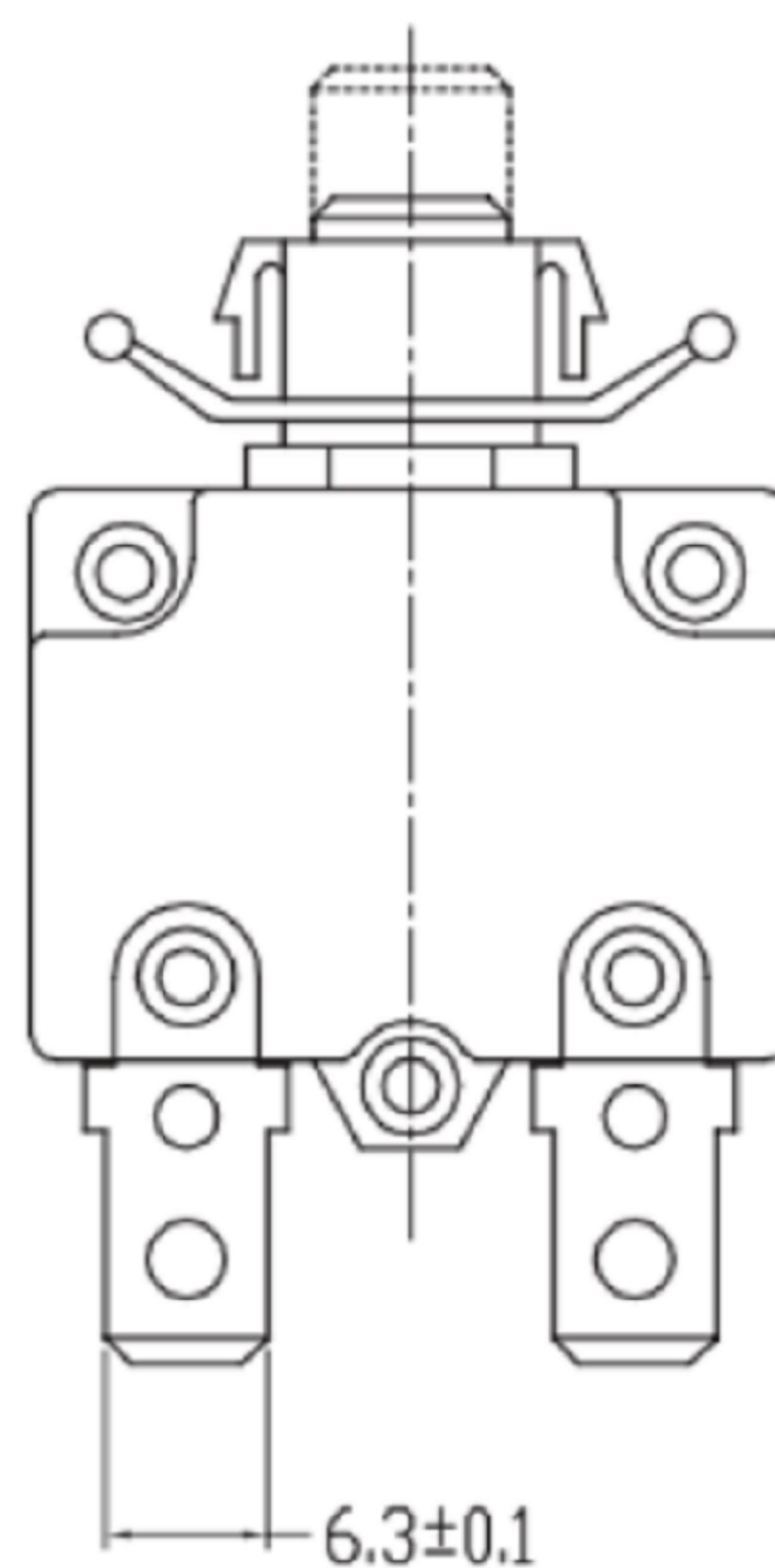
RTB-**
额定电流 (03~20A)



Circuit of Breaker



板厚 0.8~2.5mm



Percent of Rated Current Trip Curves Are Specified of 25

Model Number	Current Rating	Overload Percentage	Trip Time(in seconds) VS Amperes at+25
RTB series	3-20A	100%	NO. Trip
		150%	Trip in 1 hours
		200%	10~40
		300%	1.2~12
		400%	0.6~5.0
		500%	0.4~2.8
		600%	0.3~1.8

SPECIFICATION 规格:

1. Rating:3A-20A
2. Certifications:UL,CUL
3. Resetable overload capacity:10 times rated current
4. Reset Time:1 minute min.
5. Dielectric Strength:1500VAC ohms 0.5mA 1 minutes
6. Insulation Resistance:100M ohms
7. Voltage Drop:Less than 0.25V Temperature Rise atTerminal Block
8. Less than 117 o F (65°C) at 100% of rated current
- 9.Applied continuously at 70° F (25°C)

广东科斯达电子科技有限公司
GUANG DONG KE SI DA ELECTRONIC TECHNOLOGY CO., LTD.

TOLERANCE UNLESS OTHERWISE STATED:
Up to 5 ±0.2
Above 5 ~ 15 ±0.3
Above 15 ~ 30 ±0.4
Above 30 ~ 50 ±0.5
Angle ±0.3°

3RD. ANGEL'S

UNITS MM

DRAWN BY: Ming Ming Zou	DATE 07/10/13	MAT'L	TITLE SWITCH
CHECKED BY: Ning Ning Su	DATE 07/10/13	FINISH	MODLE SWITCH
APPROVED BY: Jia Xiang	DATE 07/10/13	SCALE 2 : 1	DWG NO. KSD-RTB-15B5B0ANFC-BF
		SHEET NO. 1 of 1	PART NO.
			SIZE A4
			VER R1

1	更新開關位置	Jack	071013
ITEM NO.	DESCRIPTION	DRAWN	DATE