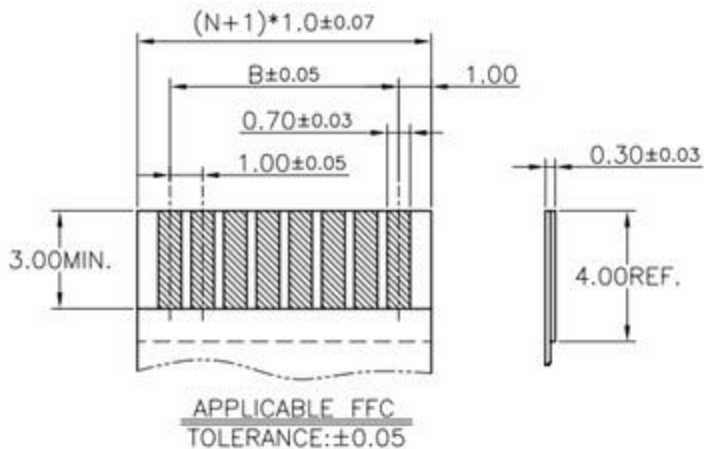
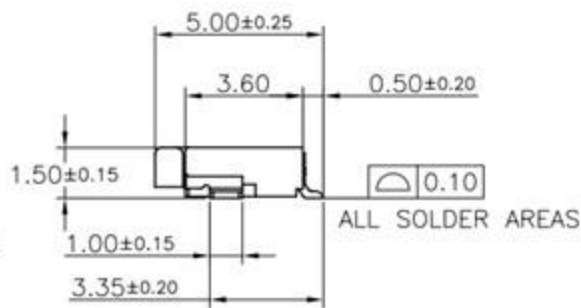


RECOMMEND PCB LAYOUT
TOLERANCE: ±0.05



NOTE:

1. MATERIAL:

- 1.1 HOUSING: HIGHT-TEMP PLASTIC(UL94V-0) COLOR:WHITE.
- 1.2 ACTUATOR:HIGHT-TEMP PLASTIC(UL94V-0) COLOR:BLACK.
- 1.3 CONTACTS: COPPER ALLOY
- 1.4 PEG: COPPER ALLOY.

2. PLATING:

- 2.1 CONTACTS: SEE ORDERING INFORMATION
- 2.2 PEG: TIN OVERALL NICKEL

3. RATING:

- 3.1 OPERATING VOLTGE: 25V(AC/DC)
- 3.2 CURRENT RATING: 0.3A(AC/DC)
- 3.3 OPERATING TEMPERATURE: -25°C ~ +85°C

PIN NO.	DIM. A	DIM. B	DIM. C
20	24.60	19.00	21.07
21	25.60	20.00	22.07
22	26.60	21.00	23.07
23	27.60	22.00	24.07
24	28.60	23.00	25.07
25	29.60	24.00	26.07
26	30.60	25.00	27.07
27	31.60	26.00	28.07
28	32.60	27.00	29.07
29	33.60	28.00	30.07
30	34.60	29.00	31.07
31	35.60	30.00	32.07
32	36.60	31.00	33.07
33	37.60	32.00	34.07

廣東科斯達電子科技有限公司

-TOLERANCES-
UNLESS OTHERWISE SPECIFIED
公差參考表

X.X ±0.30	X.X' ±5'
X.XX ±0.20	X.XX' ±2'
X.XXX ±0.10	X.XXX' ±1'

APPD: 核准:
CHECK: 校對:
DRAW: 繪圖:

TITLE:
產品名稱:

DWG NO:
產品料號:

DATE	SCALE	UNIT	PAGE
	1:1	mm	1/2

本产品需符合 RoHS SONY00259 其他
※禁止使用本公司所禁用有毒物质

AO	NEW DWG		
REV	ECN.NO:	BY	DATE