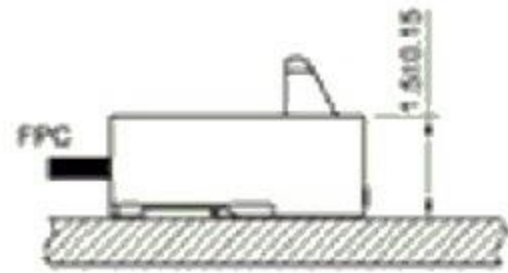
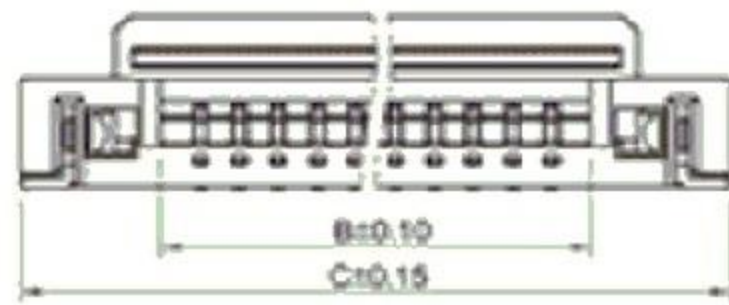
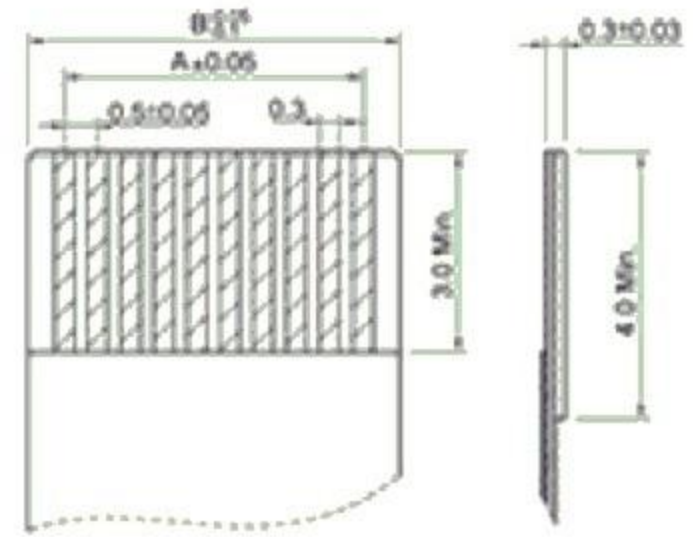
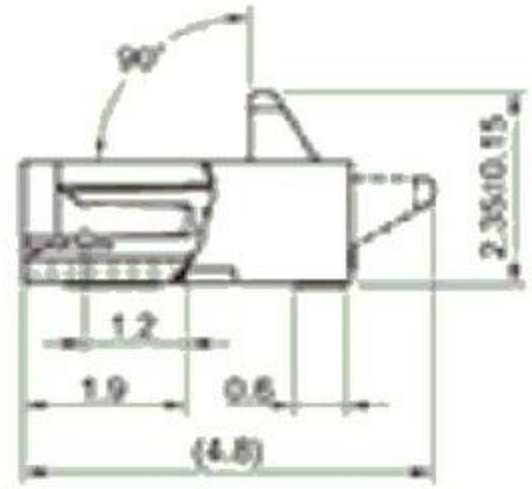
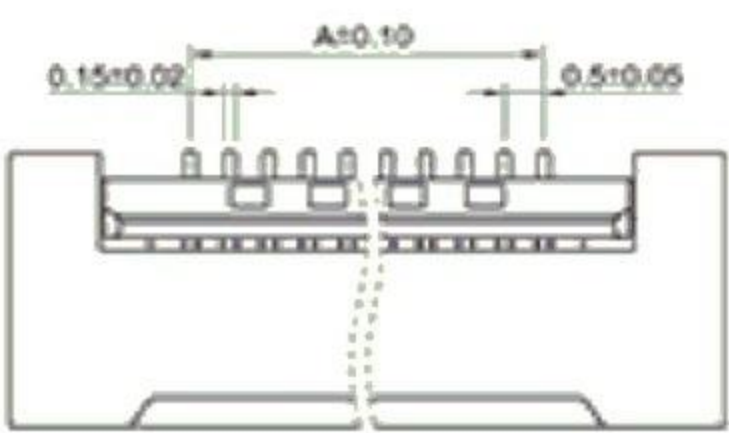


14 13 12 11 10 9 8 7 6 5 4 3 2 1

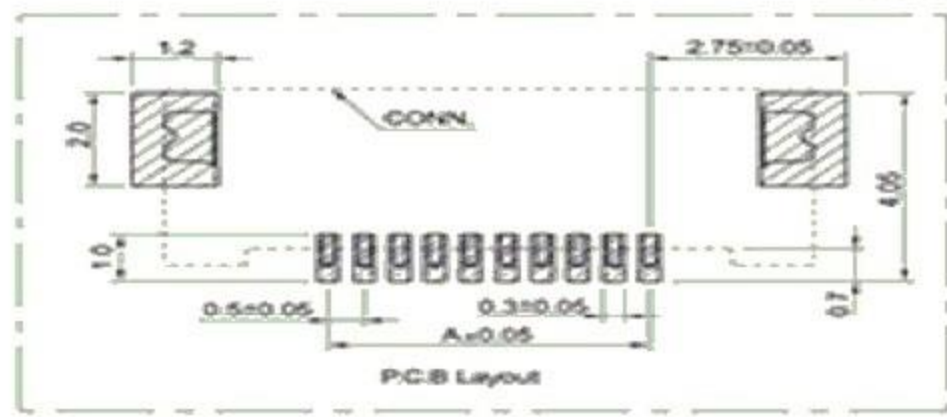
REV.	ECO NO.	DATE	SIGN	DESCRIPTION
A		2009.07.01		NEW DRAWING



Applicable Flat Cable

ASSEMBLY LAYOUT

CKT	尺寸 Size(mm)		
	A	B	C
4	1.50	2.52	6.10
6	2.50	3.52	7.10
8	3.50	4.52	8.10
10	4.50	5.52	9.10
12	5.50	6.52	10.10
16	7.50	8.52	12.10
20	9.50	10.52	14.10
24	11.50	12.52	16.10
30	14.50	15.52	19.10
40	19.50	20.52	24.10
50	24.50	25.52	29.10
60	29.50	30.52	34.10



PCB Layout

TOLERANCE UNLESS SPECIFIED	
LINEAR	ANGLE
.X ±0.25	X° ±2°
.XX ±0.15	.X° ±2°
.XXX ±0.10	.XX° ±---

DATE 2009.07.01	DAR. BY	MATERIAL ---
SCALE 1/1	CHK. BY	FINISH ---
UNIT mm	APP. BY	PART NO. ---

廣東科斯達電子科技有限公司



TITLE: FPC 0.5Pitch 1.5H掀蓋式 connector  
DWG NO.

REV. A

14 13 12 11 10 9 8 7 6 5 4 3 2 1