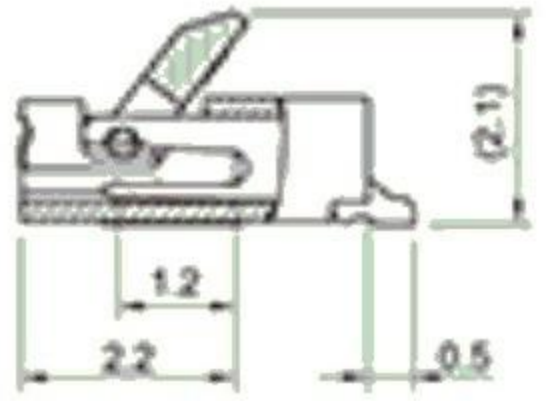
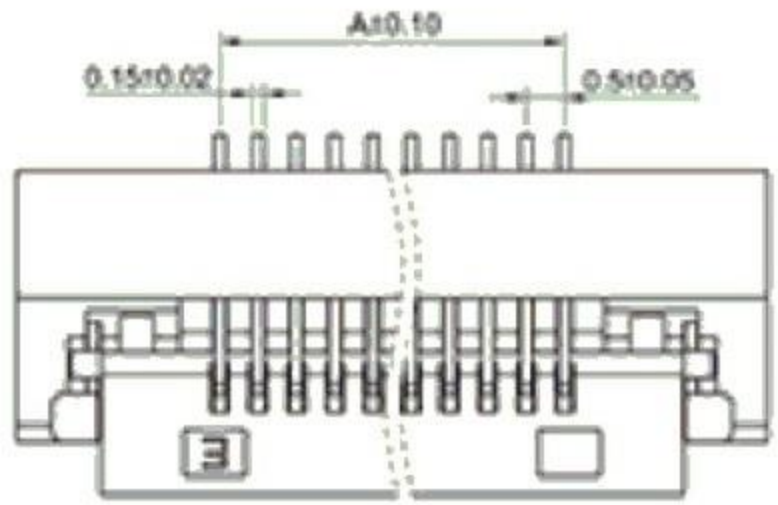
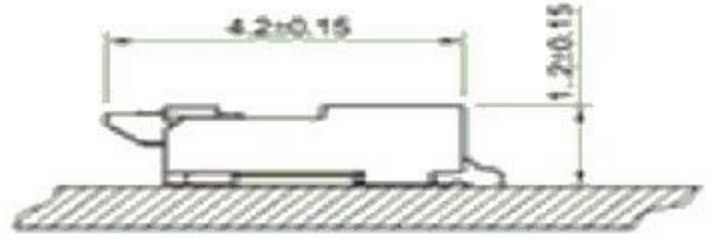
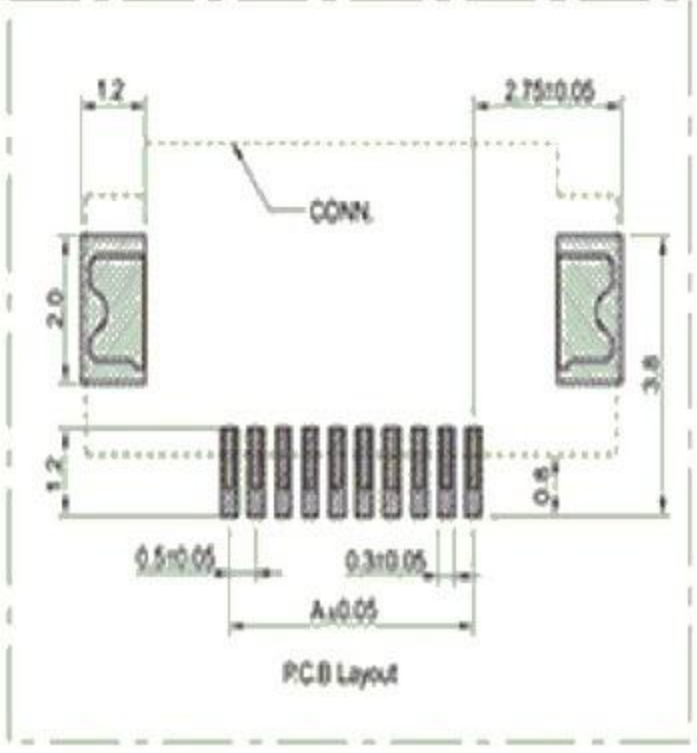
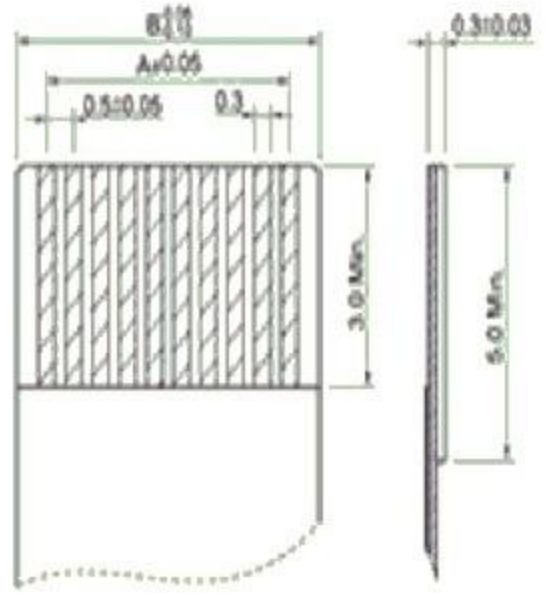
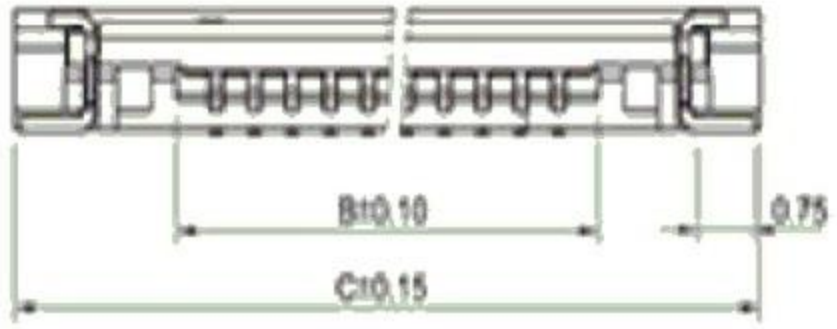


REV.	ECO NO.	DATE	SIGN	DESCRIPTION
A		2009.07.01		NEW DRAWING



C/K T	尺寸 Size(mm)		
	A	B	C
4	1.50	2.55	6.80
6	2.50	3.55	7.80
7	3.00	4.05	8.30
8	3.50	4.55	8.80
10	4.50	5.55	9.80
12	5.50	6.55	10.80
16	7.50	8.55	12.80
18	8.50	9.55	13.80
20	9.50	10.55	14.80
22	10.50	11.55	15.80
24	11.50	12.55	16.80
30	14.50	15.55	19.80
40	19.50	20.55	24.80
50	24.50	25.55	29.80
60	29.50	30.55	34.80



ASSEMBLY LAYOUT

Applicable Flat Cable

PCB Layout

TOLERANCE UNLESS SPECIFIED		DATE 2009.07.01	DAR. BY	MATERIAL ---
LINEAR	ANGLE			
.X ±0.25	X° ±2°	SCALE 1/1	CHK. BY	FINISH ---
.XX ±0.15	.X° ±2°			
.XXX ±0.10	.XX° ±---	UNIT mm	APP. BY	PART NO. ---

廣東科斯達電子科技有限公司



TITLE: FPC 0.5Pitch 1.5H掀蓋式 connector
DWG NO.

REV. A