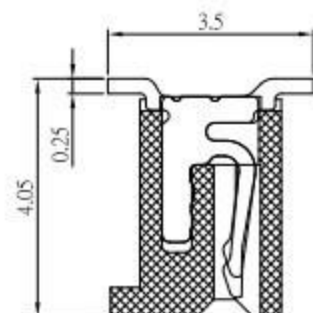
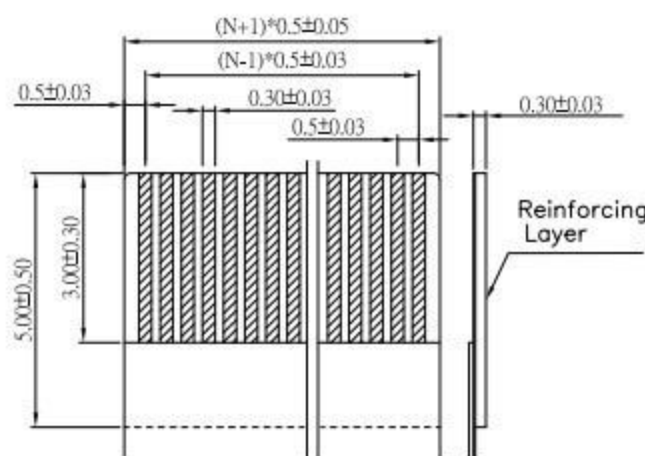
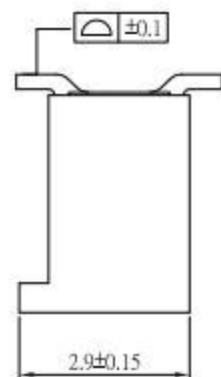


RECOMMENDED PCB LAYOUT



SECTION A-A



RECOMMENDED FFC/FPC DIM.

SPECIFICATIONS

Electrical Characteristics:

- 1.1 Voltage rating: 50V AC / DC
- 1.2 Current rating: 0.4A AC / DC
- 1.3 Temperature range: -25°C~+85°C
- 1.4 Withstand Voltage: 200V AC / Minute
- 1.5 Contact Resistance: 20mΩ MAX
- 1.6 Insulation resistance: 500MΩ MIN

Material:

- 1.1 Housing: Thermoplastic
- 1.2 Contact: Phosphor Bronze, Tin PLated
- 1.3 Fitting Nial: Phosphor Bronze, Tin PLated

PIN数	DIM=A	DIM=B	DIM=C	DIM=D
48P	27.00	25.50	23.50	24.60
45P	25.50	24.00	22.00	23.10
44P	25.00	23.50	21.50	22.60
42P	24.00	22.50	20.50	21.60
40P	23.00	21.50	19.50	20.60
30P	18.00	16.50	14.50	15.60
28P	17.00	15.50	13.50	14.60
24P	15.00	13.50	11.50	12.60
22P	14.00	12.50	10.50	11.60
20P	13.00	11.50	9.50	10.60
18P	12.00	10.50	8.50	9.60
16P	11.00	9.50	7.50	8.60
14P	10.00	8.50	6.50	7.60
12P	9.00	7.50	5.50	6.60
10P	8.00	6.50	4.50	5.60
9P	7.50	6.00	4.00	5.10
8P	7.00	5.50	3.50	4.60
6P	6.00	4.50	2.50	3.60
4P	5.00	3.50	1.50	2.60

廣東科斯達電子科技有限公司

ITEM NO.	DESCRIPTION	DRAWN	DATE
3	新增Mylar	Jack	052719
2	更新尺寸公差	Jack	091718
1	更新圖面	Jack	082218

TOLERANCE UNLESS OTHERWISE STATED:

Up to 5 ±0.2
Above 5 ~ 15 ±0.3
Above 15 ~ 30 ±0.4
Above 30 ~ 50 ±0.5
Angle ±0.3

3RD. ANGEL'S



UNITS MM

DRAWN BY:	DATE
Jack Lu	05/27/19
CHECKED BY:	DATE
Jacky Chen	05/27/19
APPROVED BY:	DATE
Tony Kao	05/27/19

MAT'L	TITLE	CONNECTOR
	MODLE	FPC 直立式 SMT H:4.0mm 反腳位
SCALE	1 : 1	DWG NO.
SHEET NO.	1 of 1	PART NO.
		SIZE
		A4
		VER
		R3