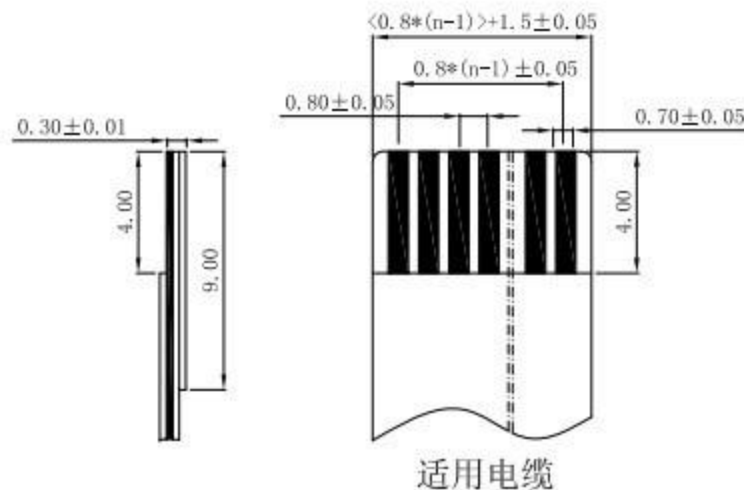
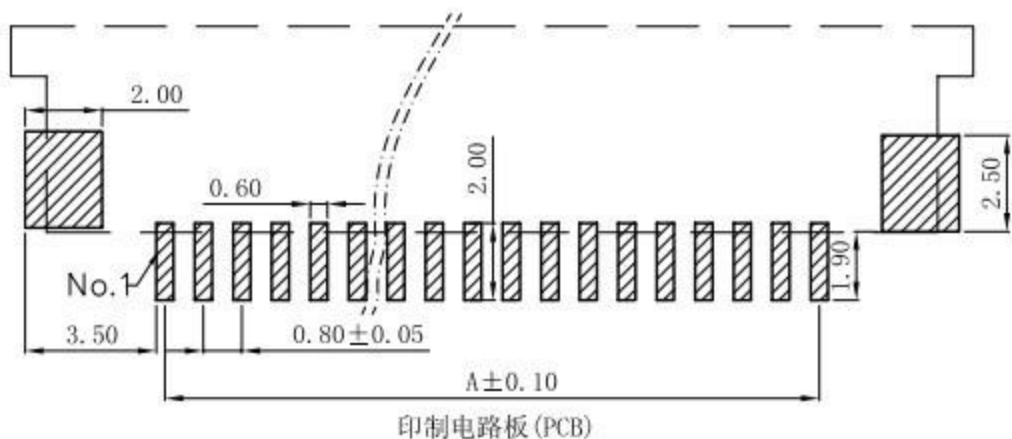
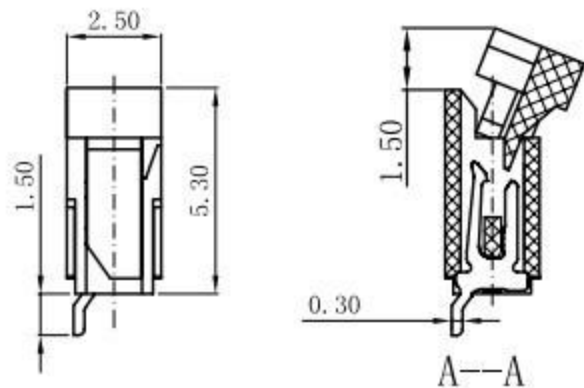
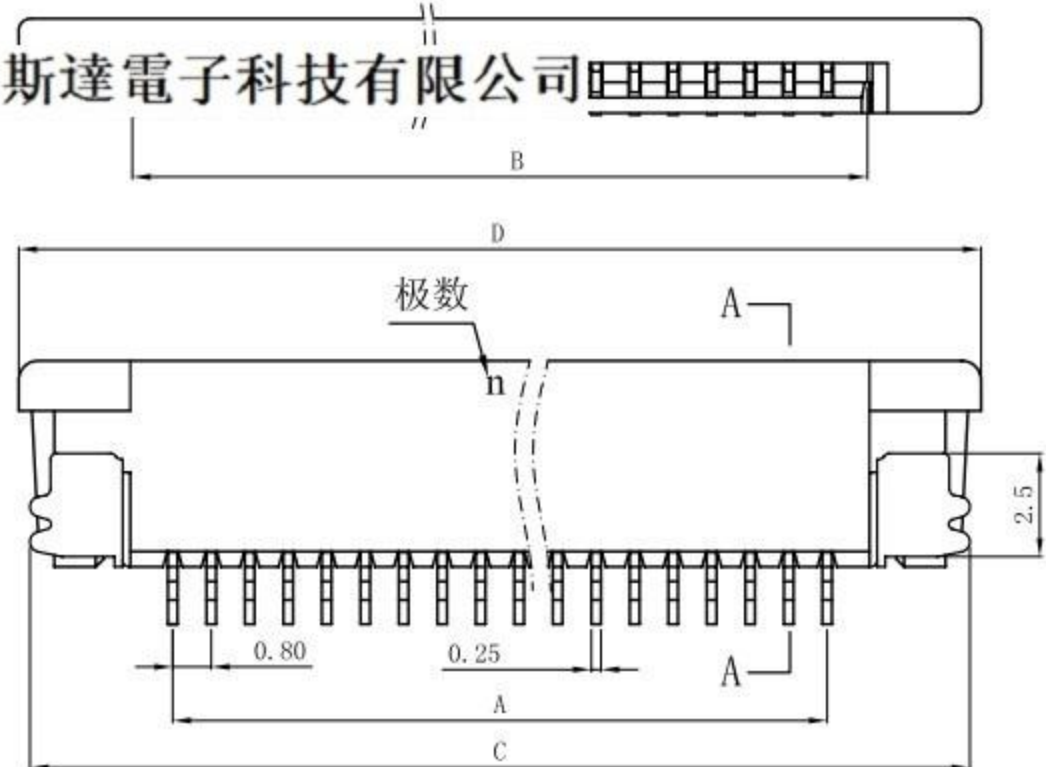


### PITCH 0.8mm FPC CONNECTOR SMT TYPE

廣東科斯達電子科技有限公司



孔位	A	B	C	D
4	2.4	4	9.6	10.3
5	3.2	4.8	10.4	11.1
6	4	5.6	11.2	11.9
7	4.8	6.4	12	12.7
8	5.6	7.2	12.8	13.5
9	6.4	8	13.6	14.3
10	7.2	8.8	14.4	15.1
11	8	9.6	15.2	15.9
12	8.8	10.4	16	16.7
13	9.6	11.2	16.8	17.5
14	10.4	12	17.6	18.3
15	11.2	12.8	18.4	19.1
16	12	13.6	19.2	19.9
17	12.8	14.4	20	20.7
18	13.6	15.2	20.8	21.5
19	14.4	16	21.6	22.3
20	15.2	16.8	22.4	23.1
21	16	17.6	23.2	23.9
22	16.8	18.4	24	24.7
23	17.6	19.2	24.8	25.5
24	18.4	20	25.6	26.3
25	19.2	20.8	26.4	27.1
26	20	21.6	27.2	27.9
27	20.8	22.4	28	28.7
28	21.6	23.2	28.8	29.5
29	22.4	24	29.6	30.3
30	23.2	24.8	30.4	31.1
31	24	25.6	31.2	31.9
32	24.8	26.4	32	32.7
33	25.6	27.2	32.8	33.5
34	26.4	28	33.6	34.3
35	27.2	28.8	34.4	35.1

性能:  
 额定电流: 0.4A  
 额定电压: 50V  
 耐电压: 200V  
 接触电阻: <math>\leq 20m\Omega</math>  
 绝缘电阻: 500M $\Omega$   
 工作温度: -20℃~+85℃

塑件 (材质): LCP, UL94V-0  
 锁扣 (材质): LCP, UL94V-0  
 插簧 (材质): 磷青铜, 镀锡/镀金  
 焊片 (材质): 磷青铜, 镀锡/镀金

X. ± 0.3	X.° ± 5°	UNITS mm
.X ± 0.25	.X° ± 2°	MAT'L
.XX ± 0.20	.XX° ± 1°	FINISH
.XXX ± 0.10	.XXX° ± 0.5°	
THESE DRAWINGS AND SPECIFICATIONS ARE THE PROPERTY OF DE RUI ELECTRON FACTORY AND SHALL NOT BE REPRODUCED, COPIED OR USED IN ANY MANNER WITHOUT THE PRIOR WRITTEN CONSENT OF DE RUI ELECTRON FACTORY		Q'TY

廣東科斯達電子科技有限公司

PART NO. (INTENDED USE) TITLE:  
 0.8mm FPC (B型) 半包下接有焊片 (H=2.5)

APPD: DWG NO.:

CHKD:		SCALE	SHEET	REV.
DR: YLZ 2011.09.28		1/1	1/1	A