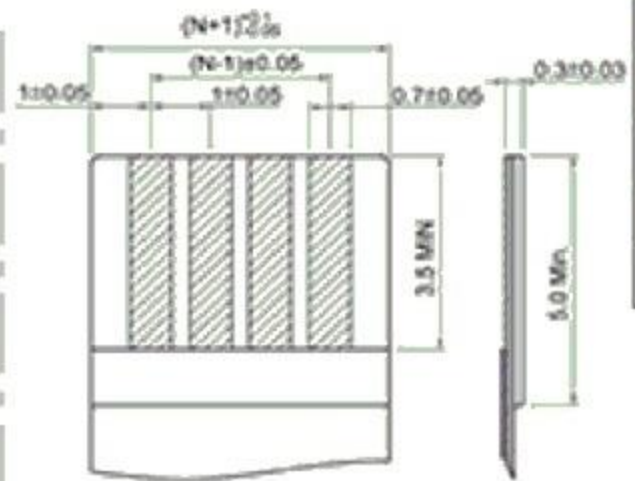
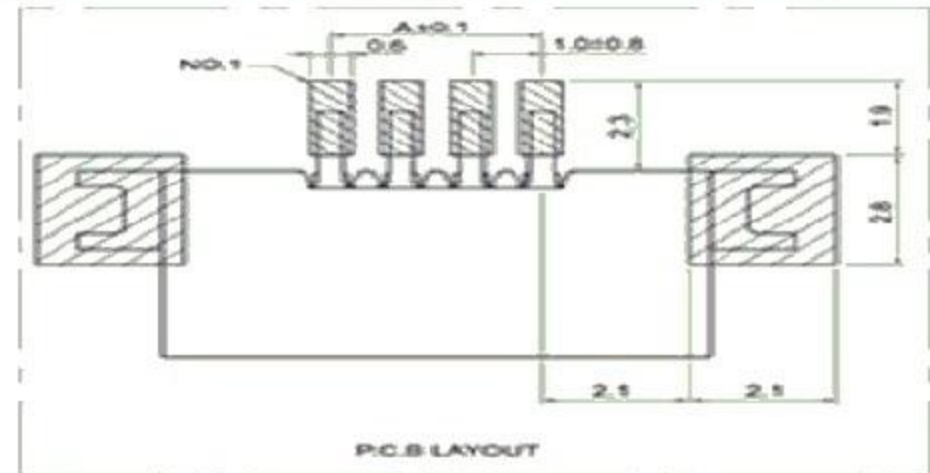
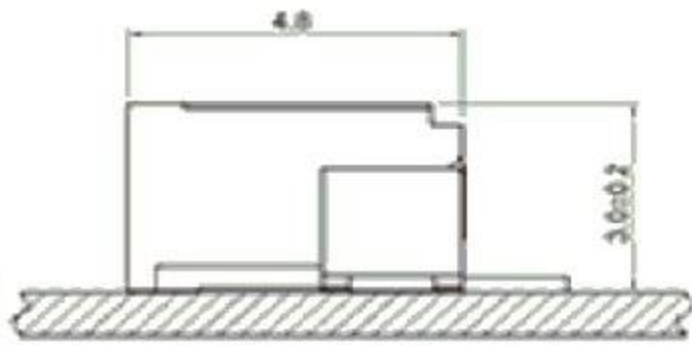
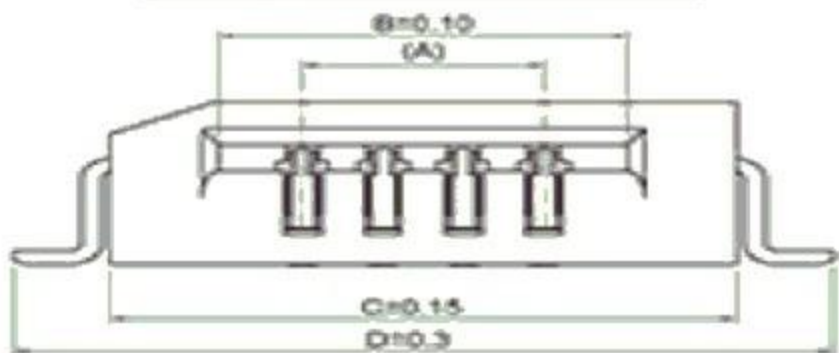
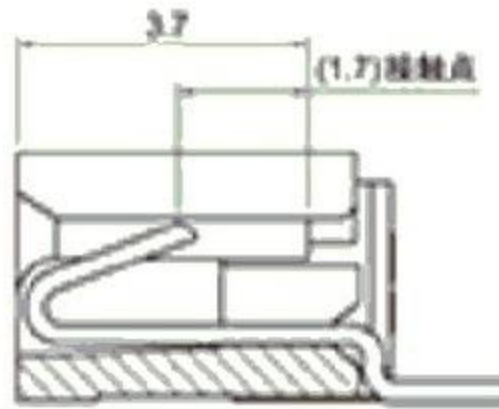
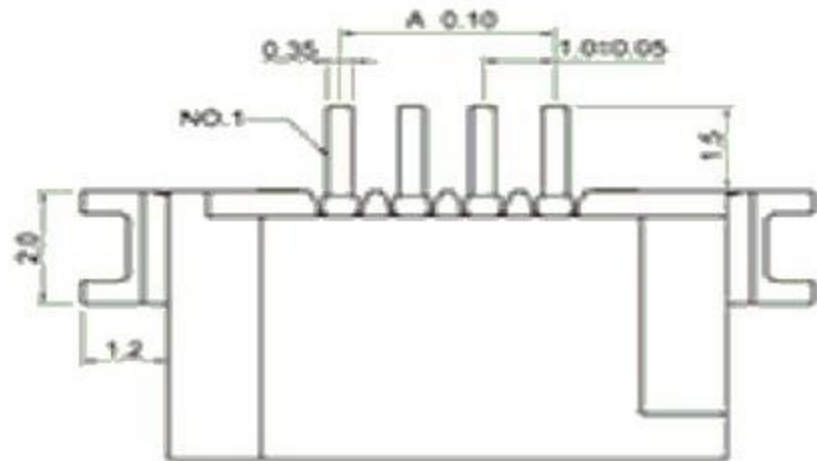


REV.	ECO NO.	DATE	SIGN	DESCRIPTION
A		2009.07.01		NEW DRAWING



CKT	尺寸Size(mm)			
	A	B	C	D
4	30	5.1	7.8	10.2
5	40	6.1	8.8	11.2
6	50	7.1	9.8	12.2
7	60	8.1	10.8	13.2
8	70	9.1	11.8	14.2
10	90	11.1	13.8	16.2
12	11.0	13.1	15.8	18.2
16	15.0	17.1	19.8	22.2
19	18.0	20.1	22.8	25.2
22	21.0	23.1	25.8	28.2
23	22.0	24.1	26.8	29.2
24	23.0	25.1	27.8	30.2
30	29.0	31.1	33.8	36.2

TOLERANCE UNLESS SPECIFIED	
LINEAR	ANGLE
.X ±0.25	.X° ±2°
.XX ±0.15	.X° ±2°
.XXX ±0.10	.XX° ±---

DATE 2009.07.01	DAR. BY	MATERIAL ---
SCALE 1/1	CHK. BY	FINISH ---
UNIT mm	APP. BY	PART NO. ---

廣東科斯達電子科技有限公司



TITLE: FPC 0.5Pitch 1.5H掀蓋式 connector	REV. A
DWG NO.	