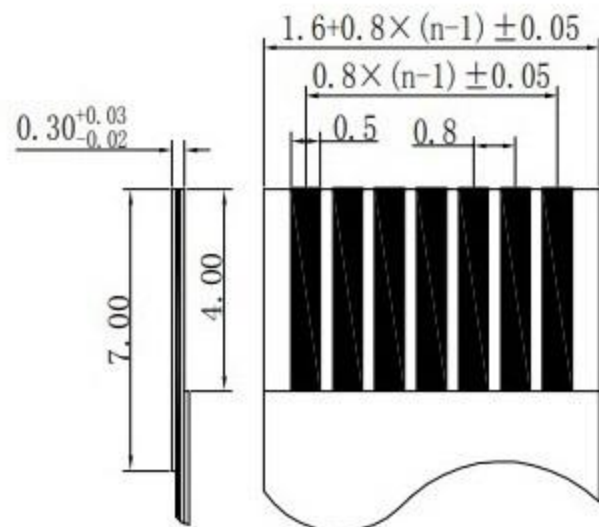
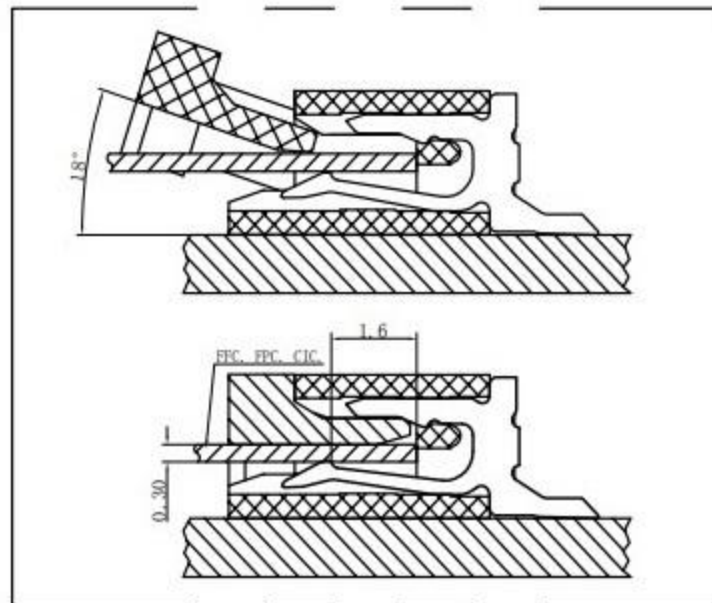
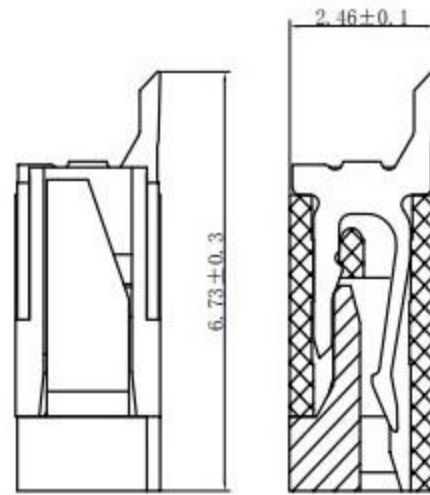


PC BOARD LAYOUT



Specifications:
 Housing: LCP UL94-V0 Color: Nature
 Cove: LCP UL94-V0 Color: Black
 Contact: Phosphor Bronze
 Operating Voltage: 50V AC/DC
 Current Rating: 0.5A AC/DC
 Withstand Voltage: 250V AC/Minute
 Contact Resistance: ≤20mΩ
 Insulation resistance: ≥100mΩ
 Operating Temperature: -25℃ ~ +85℃

NO. of Contacts (n)	Dimensions		
	A	B	C
004	4.1	2.4	9.95
005	4.9	3.2	10.75
006	5.7	4.0	11.55
007	6.5	4.8	12.35
008	7.3	5.6	13.15
009	8.1	6.4	13.95
010	8.9	7.2	14.75
011	9.7	8.0	15.55
012	10.5	8.8	16.35
013	11.3	9.6	17.15
014	12.1	10.4	17.95
015	12.9	11.2	18.75
016	13.7	12.0	19.55
017	14.5	12.8	20.35
018	15.3	13.6	21.15
019	16.1	14.4	21.95
020	16.9	15.2	22.75
021	17.7	16.0	23.55
022	18.5	16.8	24.35
023	19.3	17.6	25.15
024	20.1	18.4	25.95
025	20.9	19.2	26.75
026	21.7	20.0	27.55
027	22.5	20.8	28.35
028	23.3	21.6	29.15
029	24.1	22.4	29.95
030	24.9	23.2	30.75
031	25.7	24.0	31.55
032	26.5	24.8	32.35
033	27.3	25.6	33.15
034	28.1	26.4	33.95
035	28.9	27.2	34.75
036	29.7	28.0	35.55
037	30.5	28.8	36.35
038	31.3	29.6	37.15

廣東科斯達電子科技有限公司

檢驗尺寸標示 SYMBOLS ⊕ ⊗ INDICATE CLASSIFICATION DIMENSION	工程圖號	制圖 (DR) 08/5/16
⊕ MARK IS CRITICAL DIM. ⊗ MARK IS MAJOR DIM.	品名 FPC0.8mm -nP H2.5 下接半包	審核 (CHKD)
表面處理 (FINISH)	TITLE FPC0.8mm Pitch H2.5 ZIF FOR SMT (BOTTOM CONN)	核准 (APPD) Rigo Lu
	比例 (SCALE) 1:1	張數 (SHEET) 1 OF 1
	單位 (UNITS) mm	SIZE A4
		REV 0

REV	REVISION DESCRIPTION	DATE	SIGNATURE