

**SPECIFICATIONS**

Current rating : 2.0A AC , DC

Voltage rating : 250V AC , DC

Temperature rating : -25°C ~ +85°C

Insulation resistance : 100MΩ min.

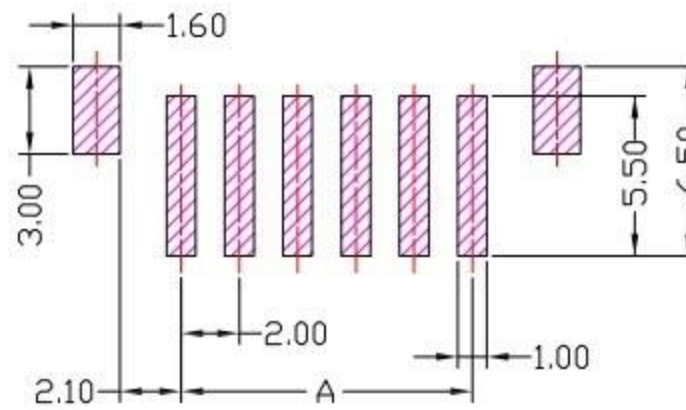
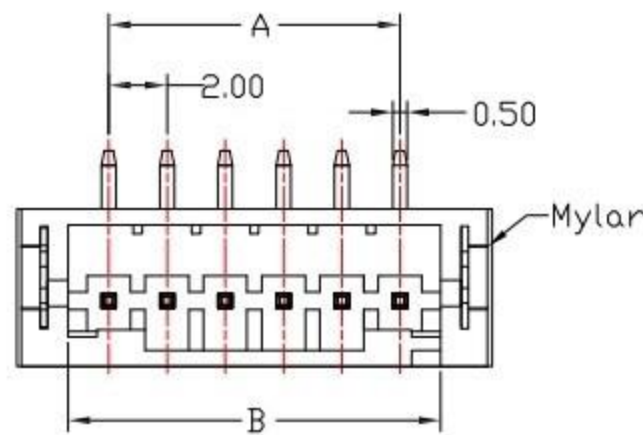
Withstand voltage : 200V AC/minute

Contact resistance : 20mΩ/Max

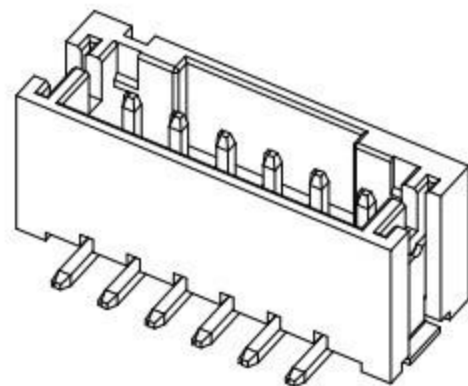
Material:

Housing : LCP, UL94V-0

Contact : Phosphor Bronze, Tin over Nickel



P.C.B LAYOUT MOUNTING PATTERN



Circuits	Dimensions (mm)		
	A	B	C
02	2.00	4.80	8.00
03	4.00	6.80	10.00
04	6.00	8.80	12.00
05	8.00	10.80	14.00
06	10.00	12.80	16.00
07	12.00	14.80	18.00
08	14.00	16.80	20.00
09	16.00	18.80	22.00
10	18.00	20.80	24.00
11	20.00	22.80	26.00
12	22.00	24.80	28.00
13	24.00	26.80	30.00
14	26.00	28.80	32.00
15	28.00	30.80	34.00
16	30.00	32.80	36.00

**廣東科斯達電子科技有限公司**

TOLERANCE UNLESS OTHERWISE STATED :  
 Up to 5 ±0.2  
 Above 5 ~ 15 ±0.3  
 Above 15 ~ 30 ±0.4  
 Above 30 ~ 50 ±0.5  
 Angle ±0.3

3RD. ANGEL'S



UNITS MM

DRAWN BY: Jack Lu  
 DATE: 04/22/19  
 CHECKED BY: Jacky Chen  
 DATE: 04/22/19  
 APPROVED BY: Tony Kao  
 DATE: 04/22/19

MAT'L	TITLE	CONNECTOR
FINISH	MODLE	WAFER P : 2.0mm SMT 180度
SCALE 1 : 1	DWG NO.	SIZE A4
SHEET NO. 1 of 1	PART NO.	VER R1

ITEM NO	DESCRIPTION	DRAWN	DATE
1	更新尺寸及SPEC	Jack	042219