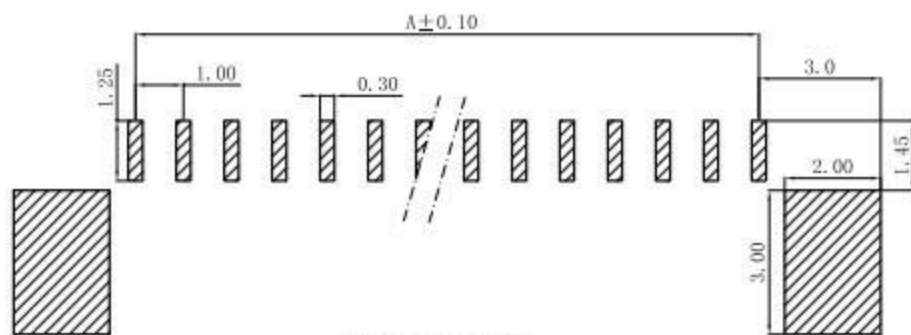
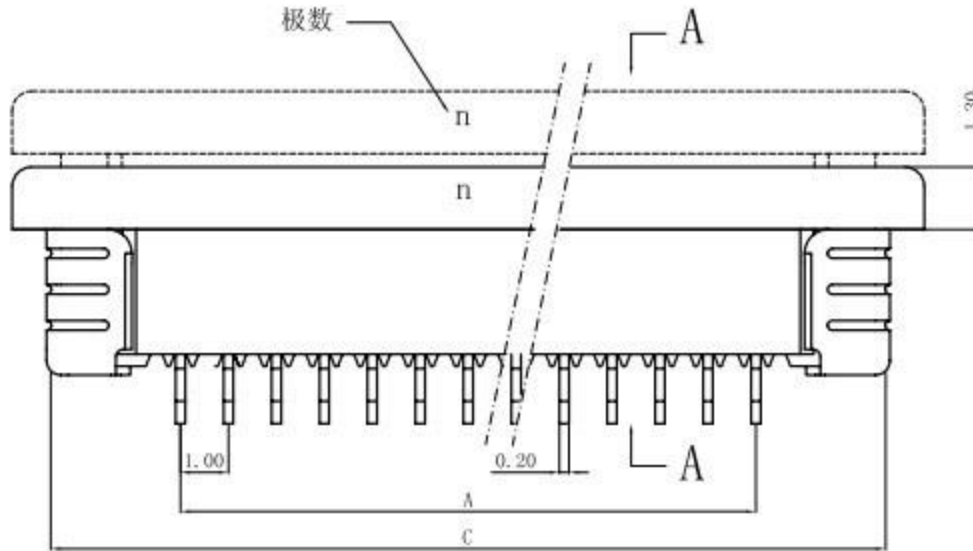
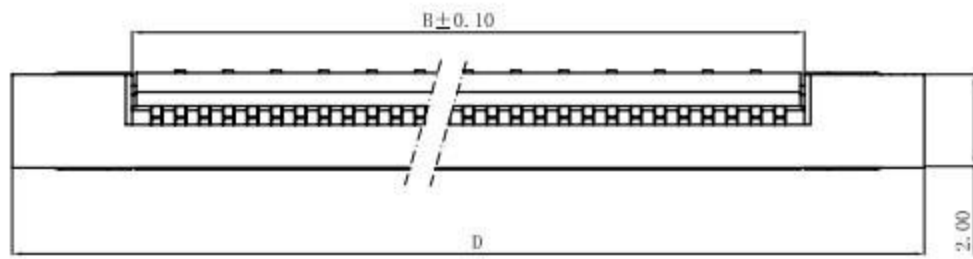


PITCH 1.0mm FPC CONNECTOR SMT TYPE

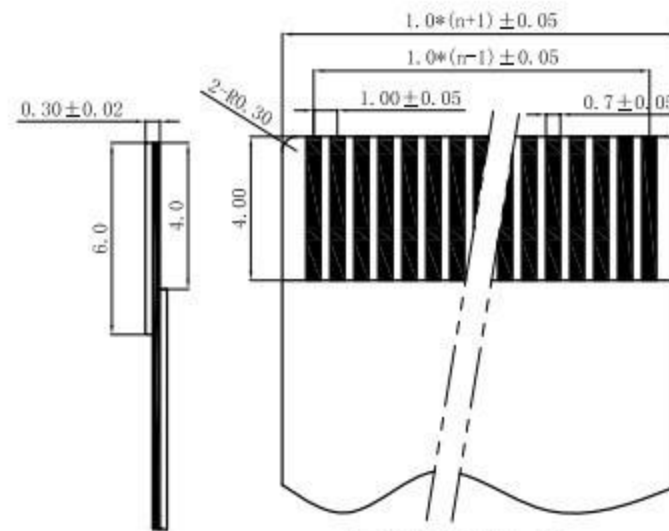
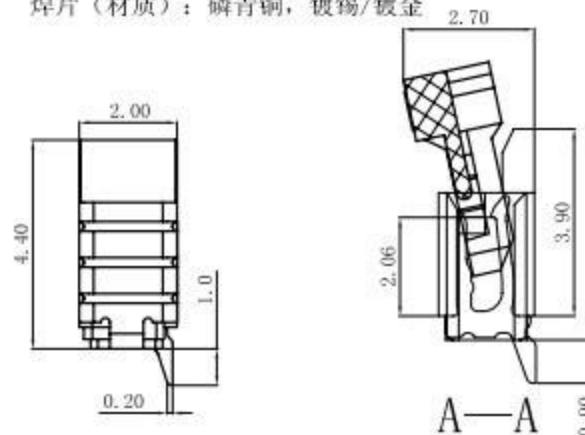
性能:

额定电流: 0.4A
 额定电压: 50V
 耐电压: 200V
 接触电阻: $\leq 20m\Omega$
 绝缘电阻: 500M Ω
 工作温度: $-20^{\circ}C \sim +85^{\circ}C$

塑件(材质): LCP, UL94V-0
 锁扣(材质): LCP, UL94V-0
 插簧(材质): 磷青铜, 镀锡/镀金
 焊片(材质): 磷青铜, 镀锡/镀金



PCB Layout



适用扁平电缆

孔位	A	B	C	D
2	1.00	3.10	6.85	8.15
3	2.00	4.10	7.85	9.15
4	3.00	5.10	8.85	10.15
5	4.00	6.10	9.85	11.15
6	5.00	7.10	10.85	12.15
7	6.00	8.10	11.85	13.15
8	7.00	9.10	12.85	14.15
9	8.00	10.10	13.85	15.15
10	9.00	11.10	14.85	16.15
11	10.00	12.10	15.85	17.15
12	11.00	13.10	16.85	18.15
13	12.00	14.10	17.85	19.15
14	13.00	15.10	18.85	20.15
15	14.00	16.10	19.85	21.15
16	15.00	17.10	20.85	22.15
17	16.00	18.10	21.85	23.15
18	17.00	19.10	22.85	24.15
19	18.00	20.10	23.85	25.15
20	19.00	21.10	24.85	26.15
21	20.00	22.10	25.85	27.15
22	21.00	23.10	26.85	28.15
23	22.00	24.10	27.85	29.15
24	23.00	25.10	28.85	30.15
25	24.00	26.10	29.85	31.15
26	25.00	27.10	30.85	32.15
27	26.00	28.10	31.85	33.15
28	27.00	29.10	32.85	34.15
29	28.00	30.10	33.85	35.15
30	29.00	31.10	34.85	36.15

X ± 0.3	X° ± 5°	UNITS mm
.X ± 0.25	.X° ± 2°	NAT'L
.XX ± 0.20	.XX° ± 1°	
.XXX ± 0.10	.XXX° ± 0.5°	FINISH
THESE DRAWINGS AND SPECIFICATIONS ARE THE PROPERTY OF DE RUI ELECTRON FACTORY AND SHALL NOT BE REPRODUCED, COPIED OR USED IN ANY MANNER WITHOUT THE PRIOR WRITTEN CONSENT OF DE RUI ELECTRON FACTORY		Q'TY

廣東科斯達電子科技有限公司

PART NO. (INTENDED USE)	TITLE: 1.0mm FPC (A型)下接(H=2.0)
APPD:	DWG NO.: 100K04-AXB0000000
CHKD:	SCALE SHEET REV. 1/1 1/1 A
DR: YLZ 2011.09.28	