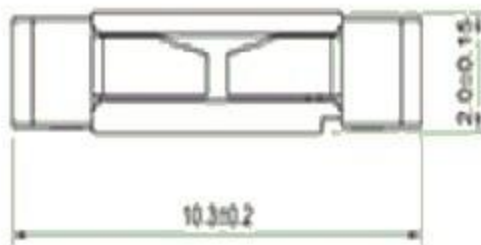
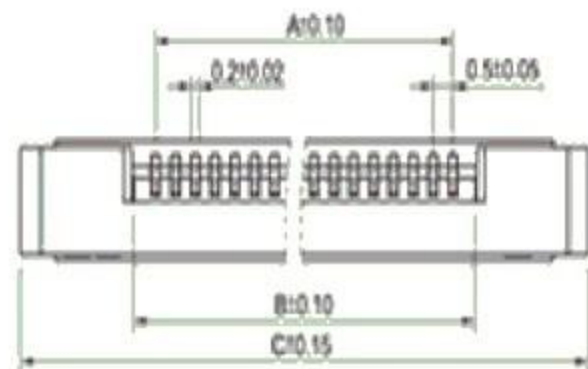
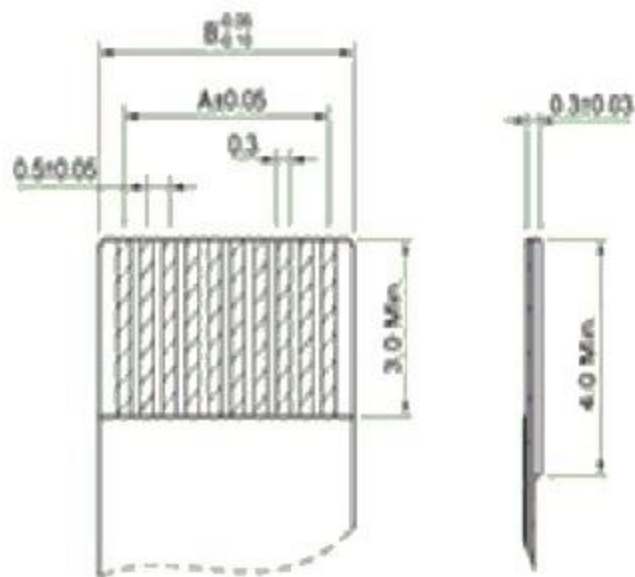
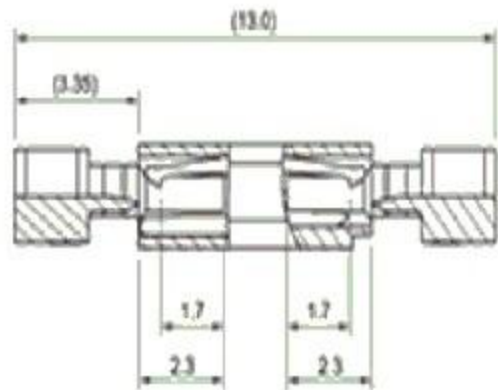
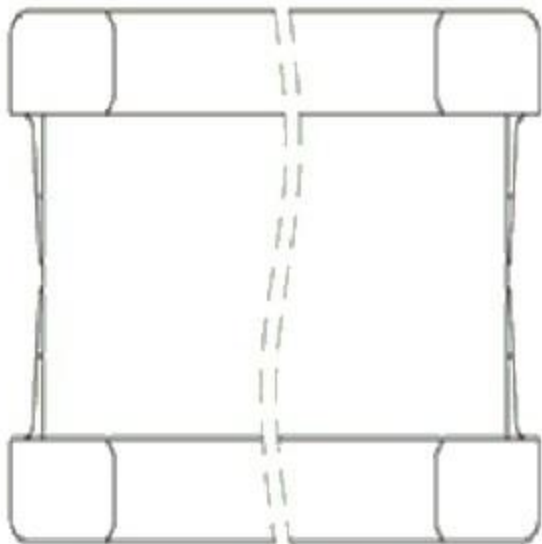


REV.	ECO NO.	DATE	SIGN	DESCRIPTION
A		2009.07.01		NEW DRAWING



Applicable Flat Cable

CKT	尺寸 Size(mm)		
	A	B	C
4	1.50	2.60	8.30
6	2.50	3.60	9.30
20	9.50	10.60	16.30
24	11.50	12.60	18.30
30	14.50	15.60	21.30
40	19.50	20.60	26.30
50	24.50	25.60	31.30
60	29.50	30.60	36.30

TOLERANCE UNLESS SPECIFIED	
LINEAR	ANGLE
.X ±0.25	.X° ±2°
.XX ±0.15	.X° ±2°
.XXX ±0.10	.XX° ±--

DATE 2009.07.01	DAR. BY	MATERIAL ---
SCALE 1/1	CHK. BY	FINISH ---
UNIT mm	APP. BY	PART NO. ---

廣東科斯達電子科技有限公司



TITLE: FPC 0.5Pitch 1.5H掀蓋式 connector
DWG NO.

REV. A