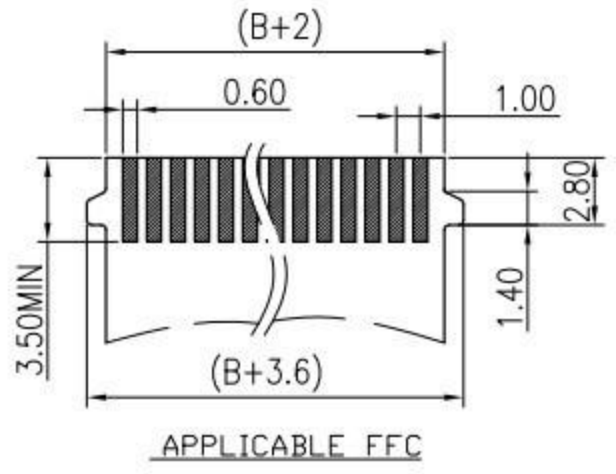
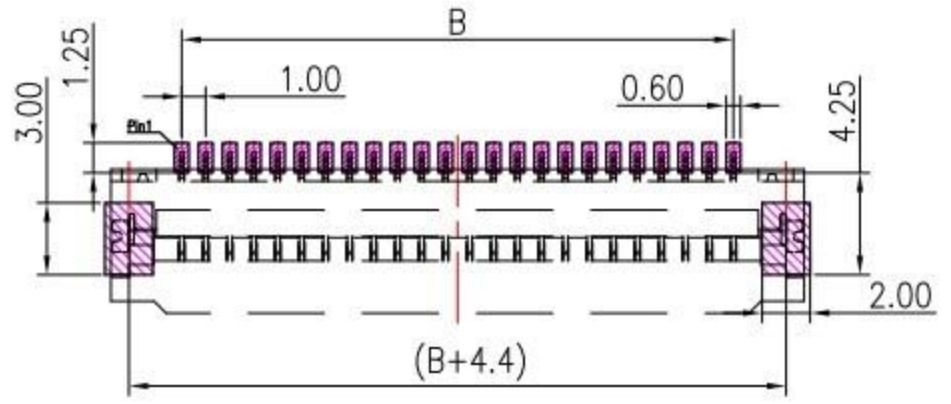


No. of contacts	Dimensions		
	A	B	C
04	8.90	3.00	5.10
05	9.90	4.00	6.10
06	10.90	5.00	7.10
07	11.90	6.00	8.10
08	12.90	7.00	9.10
09	13.90	8.00	10.10
10	14.90	9.00	11.10
11	15.90	10.00	12.10
12	16.90	11.00	13.10
13	17.90	12.00	14.10
14	18.90	13.00	15.10
15	19.90	14.00	16.10
16	20.90	15.00	17.10
17	21.90	16.00	18.10
18	22.90	17.00	19.10
19	23.90	18.00	20.10
20	24.90	19.00	21.10
21	25.90	20.00	22.10
22	26.90	21.00	23.10
23	27.90	22.00	24.10
24	28.90	23.00	25.10
25	29.90	24.00	26.10
26	30.90	25.00	27.10
27	31.90	26.00	28.10
28	32.90	27.00	29.00
29	33.90	28.00	30.10
30	34.90	29.00	31.10
31	35.90	30.00	32.10
32	36.90	31.00	33.10



NOTES:

- 1. MATERIAL:
  - 1.1 HOUSING: LCP,COLOR:BEIGE
  - 1.2 ACTUATOR: LCP,COLOR:BLACK
  - 1.3 CONTACT: PHOSPHOR BRONZE
  - 1.4 FITTING NAIL: BRASS
- 2. PLATING:
  - 2.1 CONTACT: GOLD OR TIN PLATED ON NICKEL OVERALL
  - 2.2 LEG: TIN PLATED ON NICKEL OVERALL

廣東科斯達電子科技有限公司

TOLERANCE UNLESS OTHERWISE STATED:  
 Up to 5 ±0.2  
 Above 5 - 15 ±0.3  
 Above 15 - 30 ±0.4  
 Above 30 - 50 ±0.5  
 Angle ±0.3

3RD. ANGEL'S



UNITS MM

DRAWN BY:	DATE	MAT'L	TITLE	CONNECTOR
Jack Lu	05/30/18		MODLE	FPC 1.0mm 掀蓋式 H:2.13mm 蝴蝶扣
CHECKED BY:	DATE	FINISH	DWG NO.	SIZE
Jacky Chen	05/30/18			A4
APPROVED BY:	DATE	SCALE	PART NO.	VER
Tony Kao	05/30/18	1:1		R
		SHEET NO.		
		1 of 1		

ITEM NO.	DESCRIPTION	DRAWN	DATE