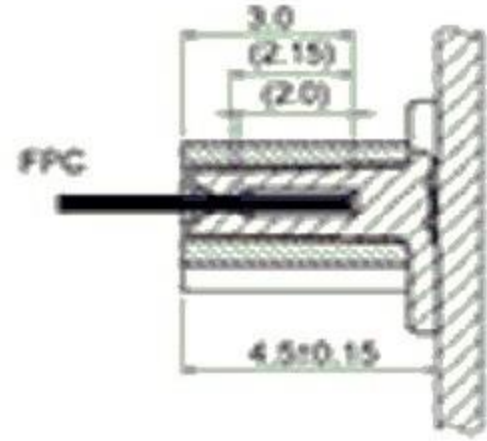
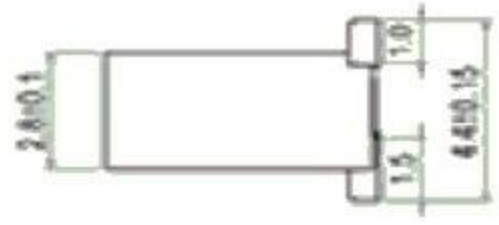
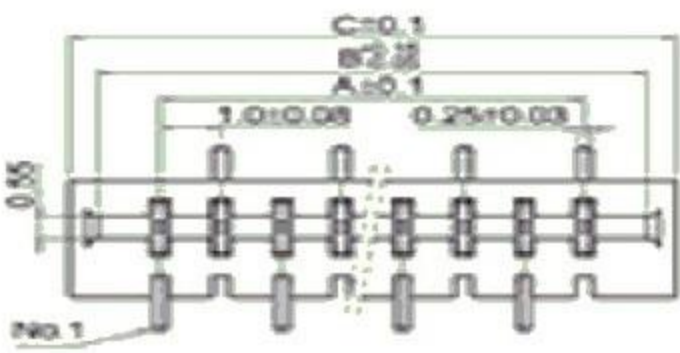
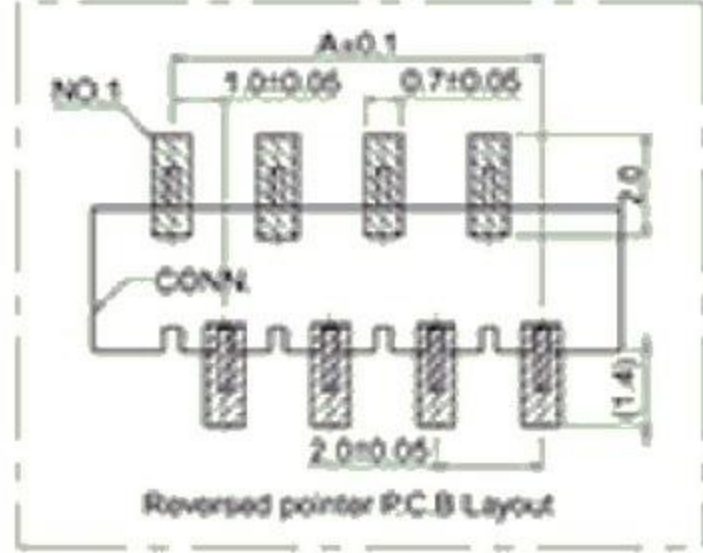
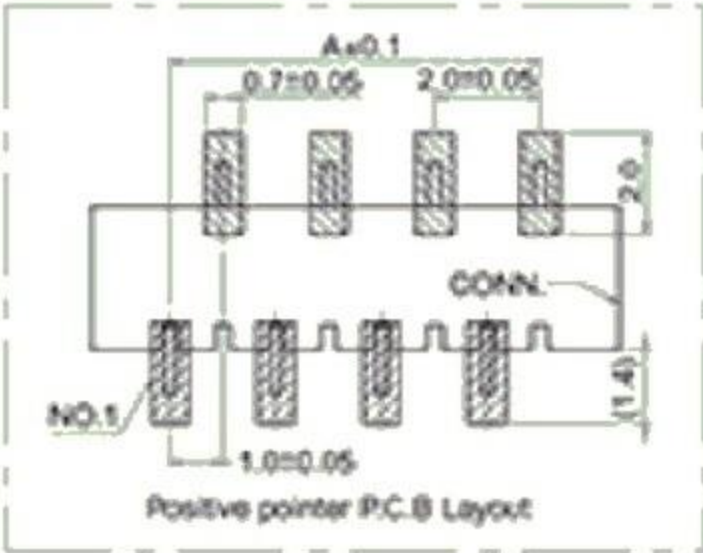
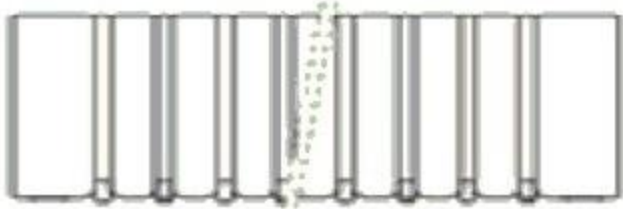


REV.	ECO NO.	DATE	SIGN	DESCRIPTION
A		2009.07.01		NEW DRAWING



ASSEMBLY LAYOUT



CKT	尺寸 Size(mm)		
	A	B	C
4	3.0	5.05	6.0
5	4.0	6.05	7.0
6	5.0	7.05	8.0
8	7.0	9.05	10.0
10	9.0	11.05	12.0
12	11.0	13.05	14.0
14	13.0	15.05	16.0
16	15.0	17.05	18.0
22	21.0	23.05	24.0
24	23.0	25.05	26.0
26	25.0	27.05	28.0
30	29.0	31.05	32.0

TOLERANCE UNLESS SPECIFIED		DATE 2009.07.01	DAR. BY	MATERIAL ---
LINEAR	ANGLE			
.X ±0.25	X° ±2°	SCALE 1/1	CHK. BY	FINISH ---
.XX ±0.15	.X° ±2°			
.XXX ±0.10	.XX° ±---	UNIT mm	APP. BY	PART NO. ---

廣東科斯達電子科技有限公司



TITLE: FPC 0.5Pitch 1.5H掀蓋式 connector	REV. A
DWG NO.	