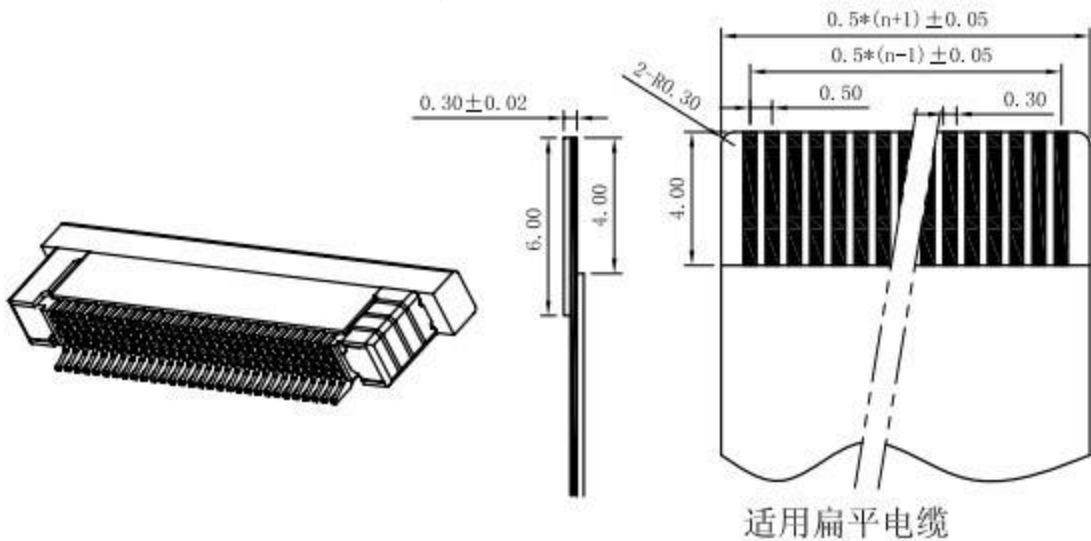
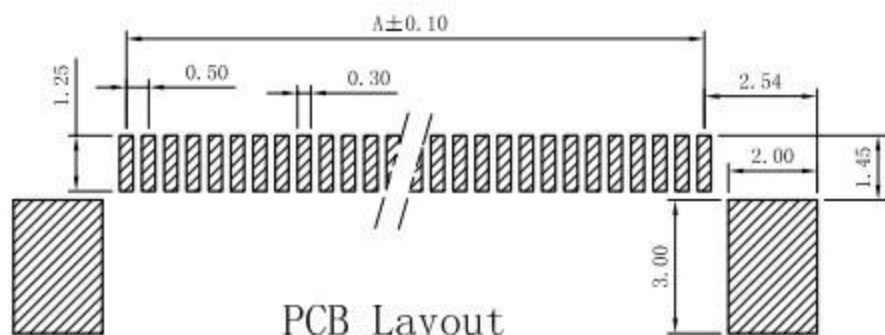
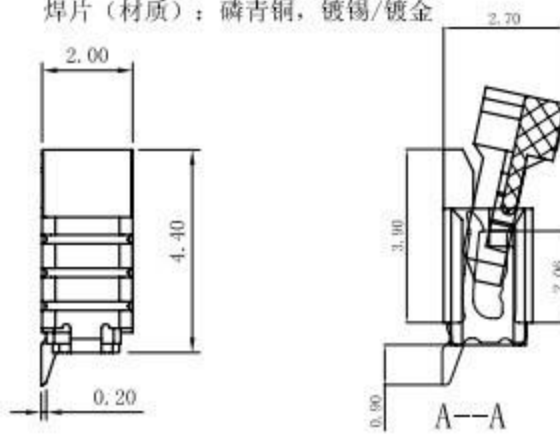
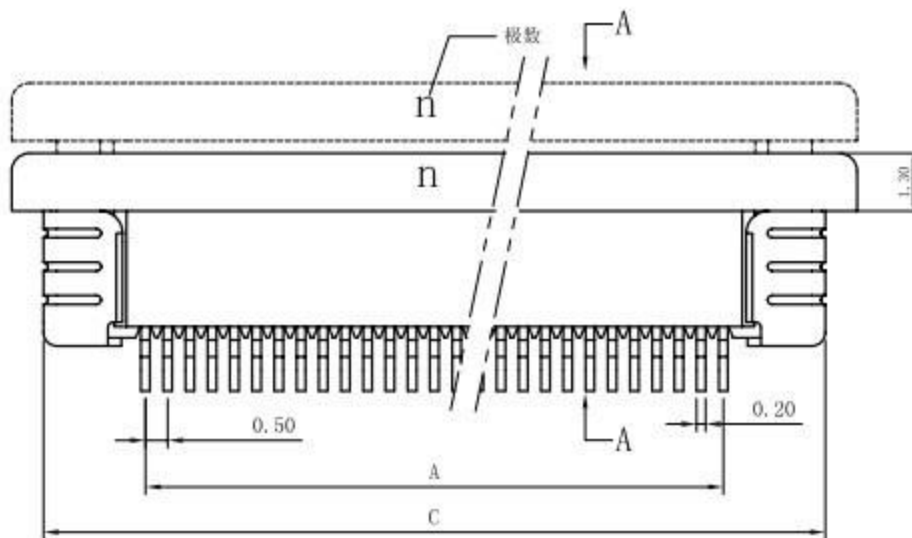
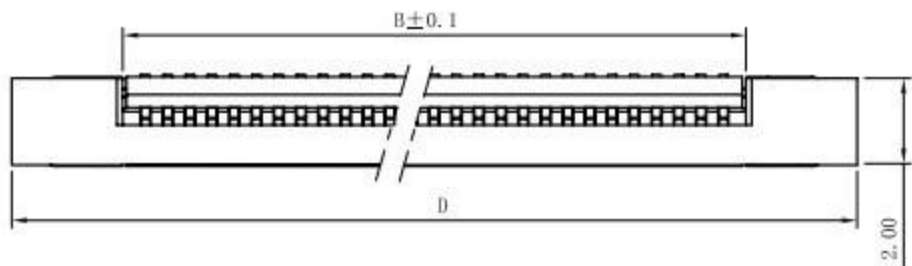


PITCH 0.5mm FPC CONNECTOR SMT TYPE

性能:

额定电流: 0.4A
 额定电压: 50V
 耐电压: 200V
 接触电阻: $< 20m\Omega$
 绝缘电阻: $500M\Omega$
 工作温度: $-20^{\circ}C \sim +85^{\circ}C$

塑件(材质): LCP, UL94V-0
 锁扣(材质): LCP, UL94V-0
 插簧(材质): 磷青铜, 镀锡/镀金
 焊片(材质): 磷青铜, 镀锡/镀金



孔位	A	B	C	D
4	1.50	2.60	6.35	7.65
5	2.00	3.10	6.85	8.15
6	2.50	3.60	7.35	8.65
7	3.00	4.10	7.85	9.15
8	3.50	4.60	8.35	9.65
9	4.00	5.10	8.85	10.15
10	4.50	5.60	9.35	10.65
11	5.00	6.10	9.85	11.15
12	5.50	6.60	10.35	11.65
13	6.00	7.10	10.85	12.15
14	6.50	7.60	11.35	12.65
15	7.00	8.10	11.85	13.15
16	7.50	8.60	12.35	13.65
17	8.00	9.10	12.85	14.15
18	8.50	9.60	13.35	14.65
19	9.00	10.10	13.85	15.15
20	9.50	10.60	14.35	15.65
21	10.00	11.10	14.85	16.15
22	10.50	11.60	15.35	16.65
23	11.00	12.10	15.85	17.15
24	11.50	12.60	16.35	17.65
25	12.00	13.10	16.85	18.15
26	12.50	13.60	17.35	18.65
27	13.00	14.10	17.85	19.15
28	13.50	14.60	18.35	19.65
29	14.00	15.10	18.85	20.15
30	14.50	15.60	19.35	20.65
31	15.00	16.10	19.85	21.15
32	15.50	16.60	20.35	21.65
33	16.00	17.10	20.85	22.15
34	16.50	17.60	21.35	22.65
35	17.00	18.10	21.85	23.15
36	17.50	18.60	22.35	23.65
37	18.00	19.10	22.85	24.15
38	18.50	19.60	23.35	24.65
39	19.00	20.10	23.85	25.15
40	19.50	20.60	24.35	25.65
41	20.00	21.10	24.85	26.15
42	20.50	21.60	25.35	26.65
43	21.00	22.10	25.85	27.15
44	21.50	22.60	26.35	27.65
45	22.00	23.10	26.85	28.15
46	22.50	23.60	27.35	28.65
47	23.00	24.10	27.85	29.15
48	23.50	24.60	28.35	29.65
49	24.00	25.10	28.85	30.15
50	24.50	25.60	29.35	30.65
51	25.00	26.10	29.85	31.15
52	25.50	26.60	30.35	31.65
53	26.00	27.10	30.85	32.15
54	26.50	27.60	31.35	32.65
55	27.00	28.10	31.85	33.15
56	27.50	28.60	32.35	33.65
57	28.00	29.10	32.85	34.15
58	28.50	29.60	33.35	34.65
59	29.00	30.10	33.85	35.15
60	29.50	30.60	34.35	35.65

X ± 0.3	X° ± 5°	UNITS	廣東科斯達電子科技有限公司			
.X ± 0.25	.X° ± 2°	mm				
.XX ± 0.20	.XX° ± 1°	MAT'L	PART NO. (INTENDED USE)	TITLE:		
.XXX ± 0.10	.XXX° ± 0.5°	FINISH	0.5K-AX-nPWB	0.5mm FPC (A型)下接		
THESE DRAWINGS AND SPECIFICATIONS ARE THE PROPERTY OF DE RUI ELECTRON FACTORY AND SHALL NOT BE REPRODUCED, COPIED OR USED IN ANY MANNER WITHOUT THE PRIOR WRITTEN CONSENT OF DE RUI ELECTRON FACTORY			APPD:	DWG NO.:		
			Q'TY	CHKD:	SCALE	
			DR: YLZ 2011.09.28	DR:	1/1	SHEET
				1/1	A	