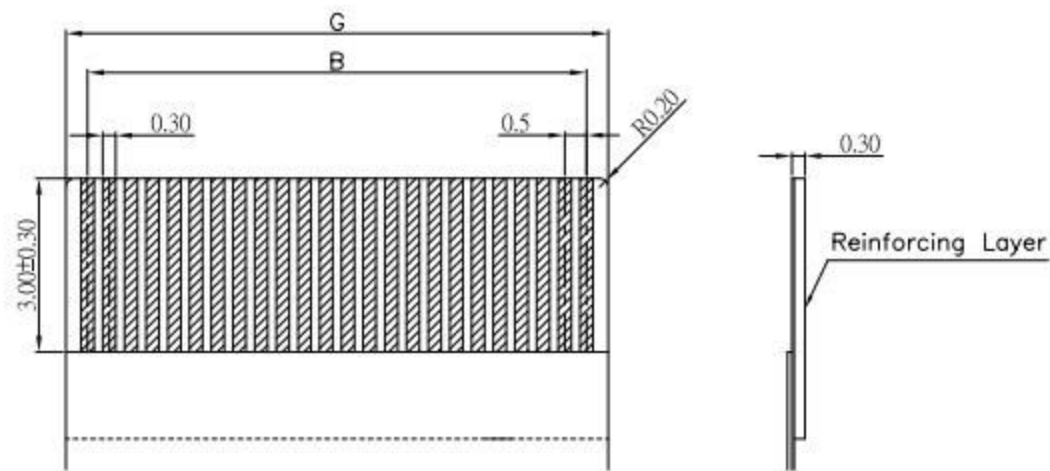
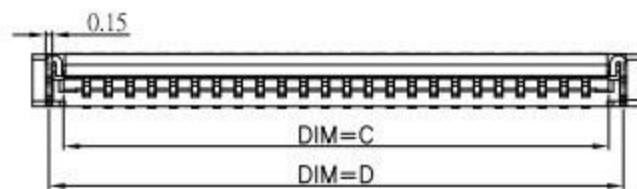


PCB LAYOUT



APPLICABLE FPC/FFC

NOTES:

1. MATERIAL:
 - 1.1 HOUSING: TEMP PLASTIC,UL 94-V0
 - 1.2 ACTUATOR: TEMP PLASTIC,UL 94-V0
 - 1.3 TEDMINAL: PHOSPHOR BRONZE
 - 1.4 FITTING NAIL: BRASS
2. PLATING:
 - 2.1 TEDMINAL: TIN PLATED ON NICKEL OVERALL
 - 2.2 FITTING NAIL: TIN PLATED ON NICKEL OVERALL

PIN#	DIM=A	DIM=B	DIM=C	DIM=D	DIM=E	DIM=F	DIM=G
4P	4.00	1.50	2.57	3.20	2.70	3.70	2.50
5P	4.50	2.00	3.07	3.70	3.20	4.20	3.00
6P	5.00	2.50	3.57	4.20	3.70	4.70	3.50
7P	5.50	3.00	4.07	4.70	4.20	5.20	4.00
8P	6.00	3.50	4.57	5.20	4.70	5.70	4.50
9P	6.50	4.00	5.07	5.70	5.20	6.20	5.00
10P	7.00	4.50	5.57	6.20	5.70	6.70	5.50
11P	7.50	5.00	6.07	6.70	6.20	7.20	6.00
12P	8.00	5.50	6.57	7.20	6.70	7.70	6.50
13P	8.50	6.00	7.07	7.70	7.20	8.20	7.00
14P	9.00	6.50	7.57	8.20	7.70	8.70	7.50
15P	9.50	7.00	8.07	8.70	8.20	9.20	8.00
16P	10.00	7.50	8.57	9.20	8.70	9.70	8.50
17P	10.50	8.00	9.07	9.70	9.20	10.20	9.00
18P	11.00	8.50	9.57	10.20	9.70	10.70	9.50
19P	11.50	9.00	10.07	10.70	10.20	11.20	10.00
20P	12.00	9.50	10.57	11.20	10.70	11.70	10.50
21P	12.50	10.00	11.07	11.70	11.20	12.20	11.00
22P	13.00	10.50	11.57	12.20	11.70	12.70	11.50
23P	13.50	11.00	12.07	12.70	12.20	13.20	12.00
24P	14.00	11.50	12.57	13.20	12.70	13.70	12.50
25P	14.50	12.00	13.07	13.70	13.20	14.20	13.00
26P	15.00	12.50	13.57	14.20	13.70	14.70	13.50
27P	15.50	13.00	14.07	14.70	14.20	15.20	14.00
28P	16.00	13.50	14.57	15.20	14.70	15.70	14.50
29P	16.50	14.00	15.07	15.70	15.20	16.20	15.00
30P	17.00	14.50	15.57	16.20	15.70	16.70	15.50
31P	17.50	15.00	16.07	16.70	16.20	17.20	16.00
32P	18.00	15.50	16.57	17.20	16.70	17.70	16.50
33P	18.50	16.00	17.07	17.70	17.20	18.20	17.00
34P	19.00	16.50	17.57	18.20	17.70	18.70	17.50
35P	19.50	17.00	18.07	18.70	18.20	19.20	18.00
36P	20.00	17.50	18.57	19.20	18.70	19.70	18.50
37P	20.50	18.00	19.07	19.70	19.20	20.20	19.00
38P	21.00	18.50	19.57	20.20	19.70	20.70	19.50
39P	21.50	19.00	20.07	20.70	20.20	21.20	20.00
40P	22.00	19.50	20.57	21.20	20.70	21.70	20.50

1	更新PIN選項	Jack	01/23/18
ITEM NO	DESCRIPTION	DRAWN	DATE

廣東科斯達電子科技有限公司

TOLERANCE UNLESS OTHERWISE STATED :
 Up to 5 ±0.2
 Above 5 - 15 ±0.3
 Above 15 - 30 ±0.4
 Above 30 - 50 ±0.5
 Angle ±0.3

3RD. ANGEL'S



UNITS MM

DRAWN BY:	DATE	MAT'L	TITLE	CONNECTOR
Jack Lu	01/23/18			
CHECKED BY:	DATE	FINISH	MODLE	FPC 0.5mm 掀蓋式 下接
Jacky Chen	01/23/18			
APPROVED BY:	DATE	SCALE	DWG NO.	SIZE
Tony Kao	01/23/18	1 : 1		A4
		SHEET NO.	PART NO.	VER
		1 of 1		R1