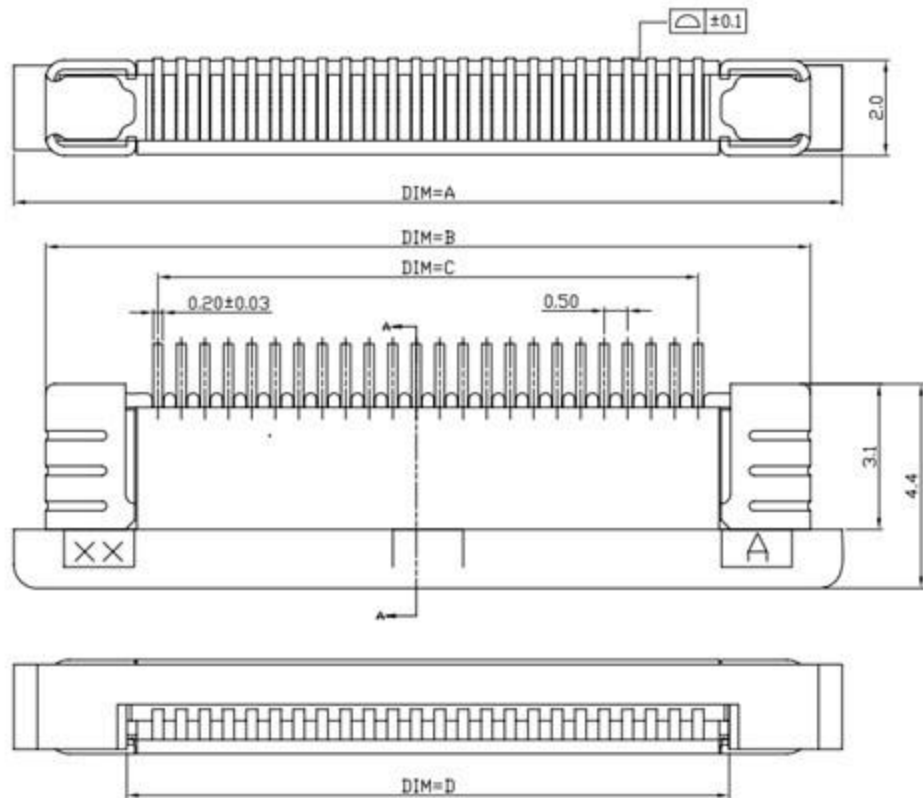
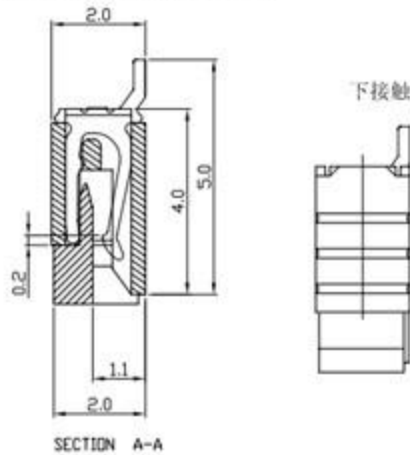


Electrical Characteristics:  
 Current rating: 0.4A AC/DC  
 Voltage rating: 50V AC/DC  
 Temperature range: -25°C~+85°C  
 Withstand Voltage: 500V AC/Minute  
 Contact Resistance:  $\leq 20m\Omega$   
 Insulation resistance:  $\geq 500M\Omega$   
 Relative Humidity: 93%+40°C

Material Description:  
 Terminal: Phosphor Bronze Tin-plated  
 Fitting Nail: Brass Tin-plated  
 Housing: Thermoplastic(UL94V-0)  
 Slider: Thermoplastic(UL94V-0)



PIN数	DIM=A	DIM=B	DIM=C	DIM=D
34P	22.60	21.50	16.50	17.65
33P	22.10	21.00	16.00	17.15
32P	21.60	20.50	15.50	16.65
31P	21.10	20.00	15.00	16.15
30P	20.60	19.50	14.50	15.65
29P	20.10	19.00	14.00	15.15
28P	19.60	18.50	13.50	14.65
27P	19.10	18.00	13.00	14.15
26P	18.60	17.50	12.50	13.65
25P	18.10	17.00	12.00	13.15
24P	17.60	16.50	11.50	12.65
23P	17.10	16.00	11.00	12.15
22P	16.60	15.50	10.50	11.65
21P	16.10	15.00	10.00	11.15
20P	15.60	14.50	9.50	10.65
19P	15.10	14.00	9.00	10.15
18P	14.60	13.50	8.50	9.65
17P	14.10	13.00	8.00	9.15
16P	13.60	12.50	7.50	8.65
15P	13.10	12.00	7.00	8.15
14P	12.60	11.50	6.50	7.65
13P	12.10	11.00	6.00	7.15
12P	11.60	10.50	5.50	6.65
11P	11.10	10.00	5.00	6.15
10P	10.60	9.50	4.50	5.65
9P	10.10	9.00	4.00	5.15
8P	9.60	8.50	3.50	4.65
7P	9.10	8.00	3.00	4.15
6P	8.60	7.50	2.50	3.65
5P	8.10	7.00	2.00	3.15
4P	7.60	6.50	1.50	2.65

0.5mm Pitch 2.0mm High Drawer touch down

廣東科斯達電子科技有限公司

UNLESS OTHERWISE SPECIFIED TOLERANCES ARE				APPROVED	DATE	PART NO	
X.X ±0.15				CHECKED	DATE	DRAWING NO	
X.XX ±0.10				DRAWN	DATE	COMPUTER NO	
X.XXX				NUMBER	SCALE	SIZE	NAME
ANG. ±0°30'				MM	A4		FPC 0.5拉拔式下接产品图
SER	AREA	REVISIONS	CHK	DATE			REV
							A