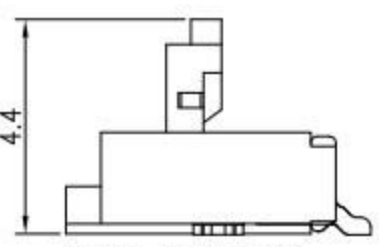
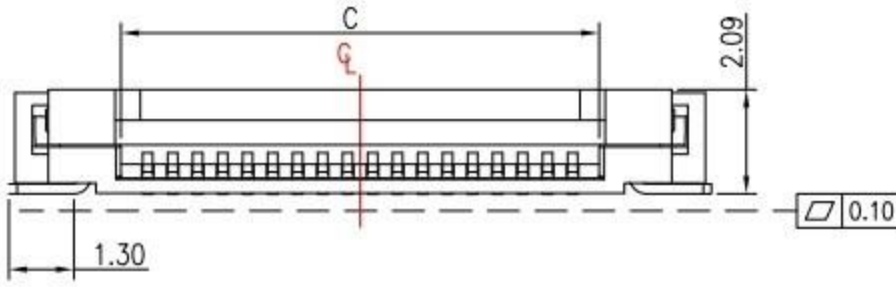
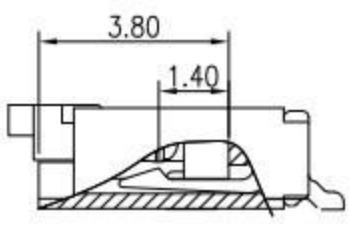


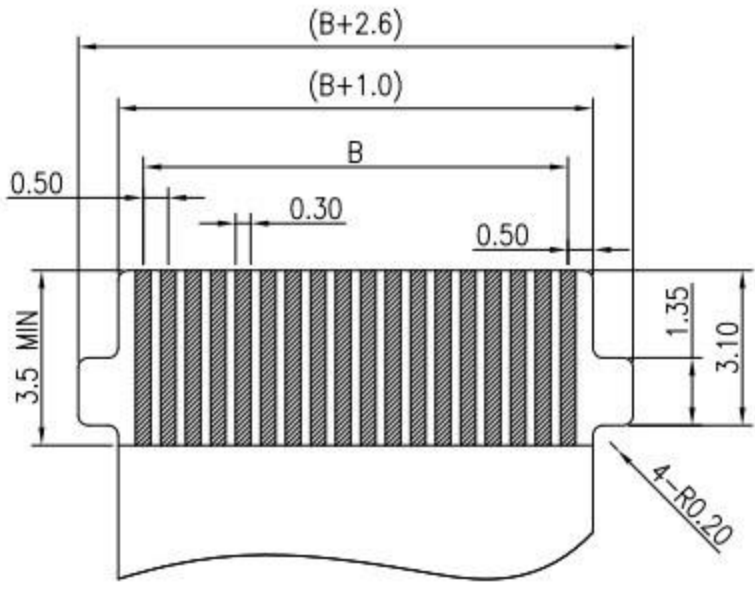
PCB LAYOUT



COVER OPEN STATE



CABLE INSERT DIM.
SECTION: A-A



APPLICABLE FPC/FFC

PIN	Dimensions			
	A	B	C	D
10	9.81	4.50	5.57	8.43
15	12.31	7.00	8.07	10.93
17	13.31	8.00	9.07	11.93
18	13.81	8.50	9.57	12.43
22	15.81	10.50	11.57	14.43
25	17.31	12.00	13.07	15.93
28	18.81	13.50	14.57	17.43
30	19.81	14.50	15.57	18.43
32	20.81	15.50	16.57	19.43
36	22.81	17.50	18.57	21.43
40	24.81	19.50	20.57	23.43
54	31.81	26.50	27.57	30.43

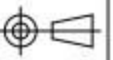
NOTES:

- MATERIAL:
 - HOUSING: HIGHT-TEMP PLASTIC,COLOR:BEIGE
 - ACTUATOR: HIGHT-TEMP PLASTIC,COLOR:BLACK
 - CONTACT: PHOSPHOR BRONZE
 - FITTING NAIL: BRASS
- PLATING:
 - CONTACT: GOLD / TIN PLATED ON NICKEL OVERALL
 - LEG: TIN PLATED ON NICKEL OVERALL

廣東科斯達電子科技有限公司

TOLERANCE UNLESS OTHERWISE STATED:
Up to 5 ±0.2
Above 5 - 15 ±0.3
Above 15 - 30 ±0.4
Above 30 - 50 ±0.5
Angle ±0.3

3RD. ANGEL'S



UNITS MM

DRAWN BY: Jack Lu
CHECKED BY: Jacky Chen
APPROVED BY: Tony Kao
DATE: 05/15/18

MAT'L	TITLE	CONNECTOR
FINISH	MODLE	FPC 0.5mm 掀蓋式 蝴蝶扣
SCALE 1:1	DWG NO.	SIZE A4
SHEET NO. 1 of 1	PART NO.	VER R

ITEM NO	DESCRIPTION	DRAWN	DATE