

- NOTE:
- MATERIAL:
HOUSING: LCP,UL 94V-0,COLOR:NATURE;
COVER: LCP,UL 94V-0,COLOR:BLACK;
CONTACT: P/B C5210,T=0.15;
PEG: BRASS C2680,T=0.20;
 - PLATING:
CONTACT: (SEE P/N. INFORMATION) GOLD OR TIN UNDER PLATED NICKEL OVERALL.
PEG: TIN UNDER PLATED NICKEL OVERALL.
 - DIM. MARKED ☺ SHOULD BE MEASURED BY FAI;
 - DIM. MARKED ▼ SHOULD BE CONTROLLED BY QC;
 - DIM. MARKED CPK SHOULD BE ANALYSED TERMPLY BY QC; CPK=1.0
 - DIMENSION A/B/C SEE TABLE 1;

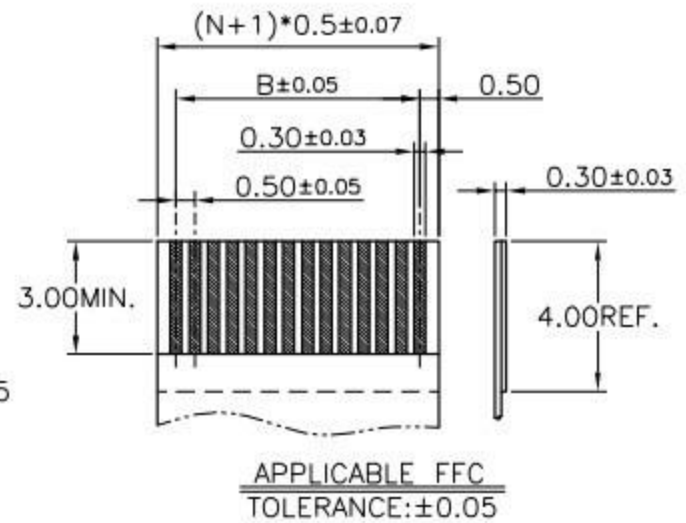
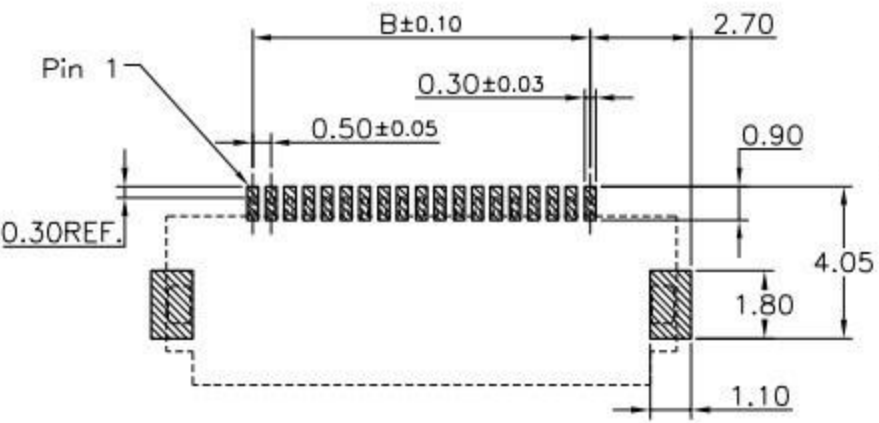
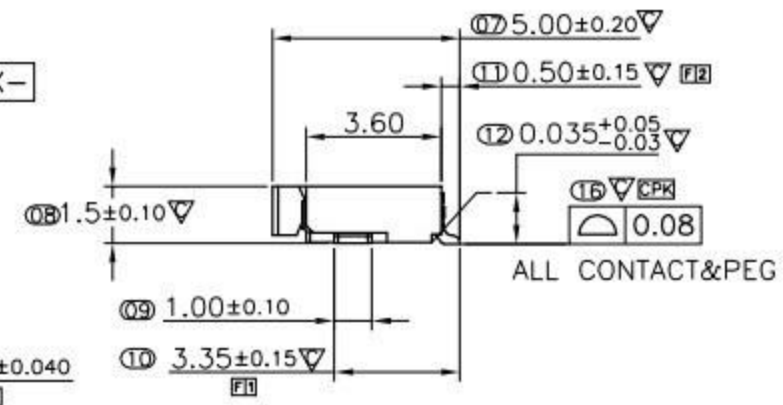
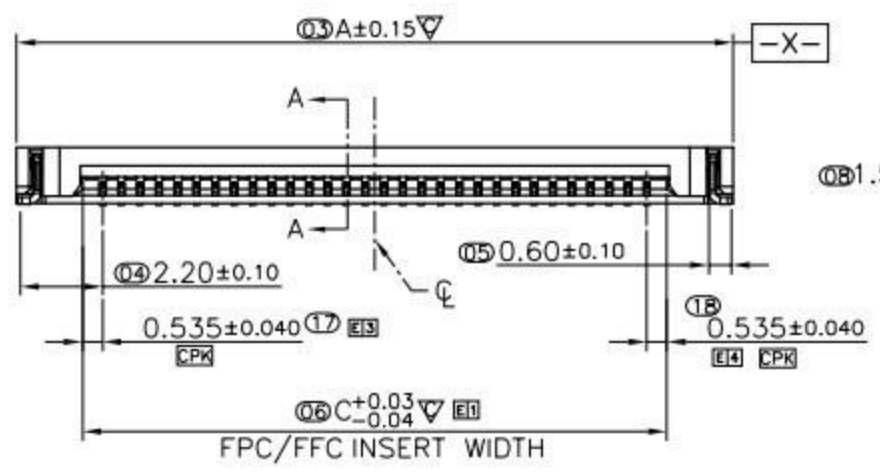


TABLE 1:

PIN NO.(N)	DIM. A	DIM. B	DIM. C
26~60	(N-1)*0.50+4.60	(N-1)*0.50	(N-1)*0.50+1.07

RECOMMEND PCB LAYOUT
TOLERANCE: ±0.05

UNITS mm	廣東科斯達電子科技有限公司		
MAT'L	PART NO.(INTENDED USE)	TITLE: 0.5翻盖H1.5	
FINISH	APPD:	DWG NO.:	
Q'TY PCS	CHKD:	DR: HU 2016.09.28	
		SCALE 1/1	SHEET 1/1
		REV. A	

X ± 0.3	X' ± 5'
.X ± 0.25	.X' ± 2'
.XX ± 0.20	.XX' ± 1'
.XXX ± 0.10	.XXX' ± 0.5'