

Section A-A
Scale 2:1

NOTES:

1. MATERIAL:

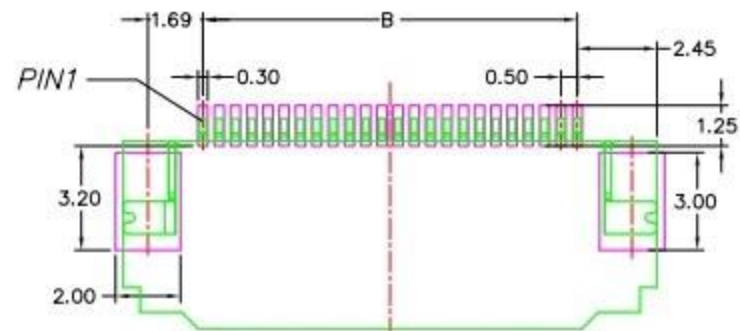
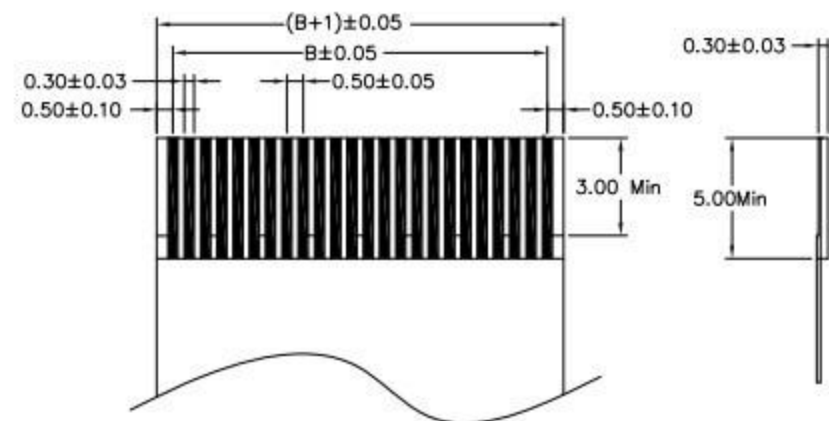
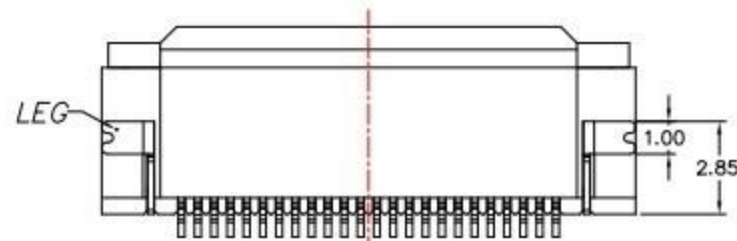
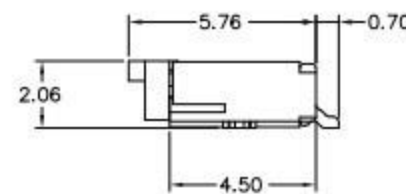
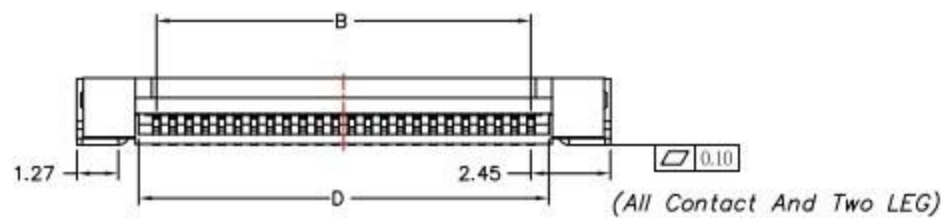
- 1.1 HOUSING: LCP,UL 94-V0,COLOR:BENSS
- 1.2 ACTUATOR: LCP,UL 94-V0,COLOR:BLACK
- 1.3 CONTACT: PHOSPHOR BRONZE
- 1.4 LEG: BRASS

2. PLATING:

- 2.1 CONTACT: GOLD OR TIN PLATED ON NICKEL OVERALL
- 2.2 LEG: TIN PLATED ON NICKEL OVERALL

3. RATING:

- 3.1 CURRENT RATING: 0.4A AC/DC
- 3.2 VOLTAGE RATING: 50V AC/DC
- 3.3 TEMPERATURE RANGE: -25°C~+85°C



RECOMMENDED PCB LAYOUT

APPLICABLE FPC

PIN	A	B	C	D	PIN	A	B	C	D
1	6.40	1.50	6.00	2.50	41	24.90	20.00	24.50	21.00
2	6.40	1.50	6.00	2.50	42	25.40	20.50	25.00	21.50
3	6.90	2.00	6.50	3.00	43	25.90	21.00	25.50	22.00
4	7.40	2.50	7.00	3.50	44	26.40	21.50	26.00	22.50
5	7.90	3.00	7.50	4.00	45	26.90	22.00	26.50	23.00
6	8.40	3.50	8.00	4.50	46	27.40	22.50	27.00	23.50
7	8.90	4.00	8.50	5.00	47	27.90	23.00	27.50	24.00
8	9.40	4.50	9.00	5.50	48	28.40	23.50	28.00	24.50
9	9.90	5.00	9.50	6.00	49	28.90	24.00	28.50	25.00
10	10.40	5.50	10.00	6.50	50	29.40	24.50	29.00	25.50
11	10.90	6.00	10.50	7.00	51	29.90	25.00	29.50	26.00
12	11.40	6.50	11.00	7.50	52	30.40	25.50	30.00	26.50
13	11.90	7.00	11.50	8.00	53	30.90	26.00	30.50	27.00
14	12.40	7.50	12.00	8.50	54	31.40	26.50	31.00	27.50
15	12.90	8.00	12.50	9.00	55	31.90	27.00	31.50	28.00
16	13.40	8.50	13.00	9.50	56	32.40	27.50	32.00	28.50
17	13.90	9.00	13.50	10.00	57	32.90	28.00	32.50	29.00
18	14.40	9.50	14.00	10.50	58	33.40	28.50	33.00	29.50
19	14.90	10.00	14.50	11.00	59	33.90	29.00	33.50	30.00
20	15.40	10.50	15.00	11.50	60	34.40	29.50	34.00	30.50
21	15.90	11.00	15.50	12.00	61	34.90	30.00	34.50	31.00
22	16.40	11.50	16.00	12.50	62	35.40	30.50	35.00	31.50
23	16.90	12.00	16.50	13.00	63	35.90	31.00	35.50	32.00
24	17.40	12.50	17.00	13.50	64	36.40	31.50	36.00	32.50
25	17.90	13.00	17.50	14.00	65	36.90	32.00	36.50	33.00
26	18.40	13.50	18.00	14.50	66	37.40	32.50	37.00	33.50
27	18.90	14.00	18.50	15.00	67	37.90	33.00	37.50	34.00
28	19.40	14.50	19.00	15.50	68	38.40	33.50	38.00	34.50
29	19.90	15.00	19.50	16.00	69	38.90	34.00	38.50	35.00
30	20.40	15.50	20.00	16.50	70	39.40	34.50	39.00	35.50
31	20.90	16.00	20.50	17.00	71	39.90	35.00	39.50	36.00
32	21.40	16.50	21.00	17.50	72	40.40	35.50	40.00	36.50
33	21.90	17.00	21.50	18.00	73	40.90	36.00	40.50	37.00
34	22.40	17.50	22.00	18.50	74	41.40	36.50	41.00	37.50
35	22.90	18.00	22.50	19.00	75	41.90	37.00	41.50	38.00
36	23.40	18.50	23.00	19.50	76	42.40	37.50	42.00	38.50
37	23.90	19.00	23.50	20.00	77	42.90	38.00	42.50	39.00
38	24.40	19.50	24.00	20.50	78	43.40	38.50	43.00	39.50
39	24.90	20.00	24.50	21.00	79	43.90	39.00	43.50	40.00
40	25.40	20.50	25.00	21.50	80	44.40	39.50	44.00	40.50

ITEM NO	DESCRIPTION	DRAWN	DATE
5	新增PCB LAYOUT中PIN1標示	Jack	101518
4	新增PIN1標示	Jack	101118
3	更新FPC	Jack	082318
2	新增尺寸	Jack	082917
1	新增插入深度尺寸	Jack	081117

廣東科斯達電子科技有限公司

TOLERANCE UNLESS OTHERWISE STATED:	Up to 5 ±0.2	3RD. ANGEL'S	UNITS	MM
	Above 5 ~ 15 ±0.3			
	Above 15 ~ 30 ±0.4			
	Above 30 ~ 50 ±0.5			
	Angle ±0.3			

DRAWN BY:	DATE	MAT'L	TITLE	CONNECTOR
Jack Lu	10/15/18			
CHECKED BY:	DATE	FINISH	MODLE	FPC 0.5 PITCH 下接掀蓋式 H:2.0mm
Jacky Chen	10/15/18			
APPROVED BY:	DATE	SCALE	DWG NO.	SIZE
Tony Kao	10/15/18	1:1		A4
		SHEET NO.	PART NO.	VER
		1 of 1		R5