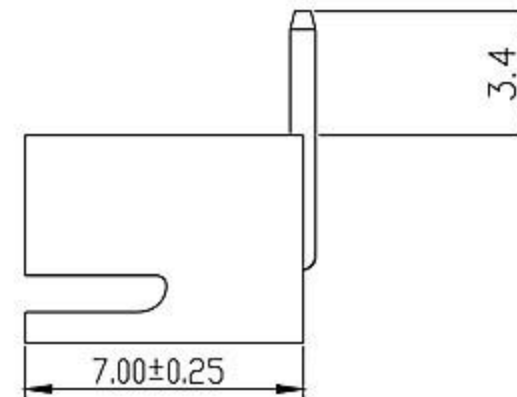
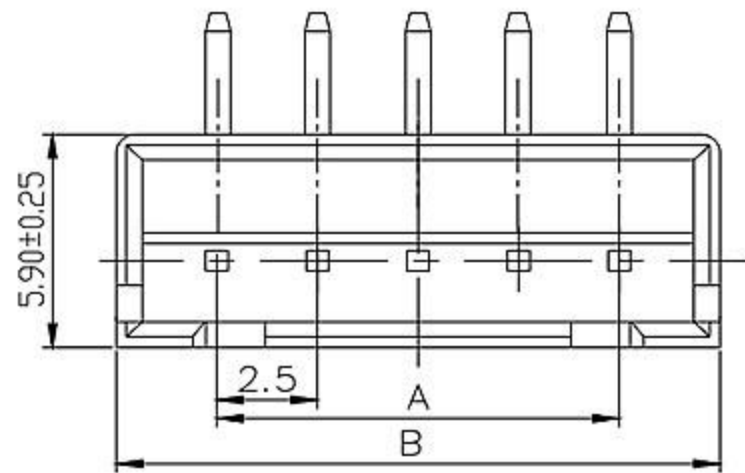




**SPECIFICATIONS**

Current rating : 2.0A AC , DC  
 Voltage rating : 100V AC , DC  
 Temperature rating : -25°C ~ +85°C  
 Insulation resistance : 1,000MΩ min.  
 Withstand voltage : 800V AC/minute  
 Contact resistance : 20mΩ/Max  
 Material:  
 Housing : Nylon 66, UL94V-2  
 Pin : Brass / Tin-plated  
 Contact : Phosphor Bronze



**廣東科斯達電子科技有限公司**

TOLERANCE UNLESS OTHERWISE STATED :  
 Up to 5 ±0.2  
 Above 5 ~ 15 ±0.3  
 Above 15 ~ 30 ±0.4  
 Above 30 ~ 50 ±0.5  
 Angle ±0.3

3RD. ANGEL'S



UNITS MM

DRAWN BY:	DATE	MAT'L	TITLE	CONNECTOR
Jack Lu	11/13/12			
CHECKED BY:	DATE	FINISH	MODLE	
Jacky Chen	11/13/12			
APPROVED BY:	DATE	SCALE	DWG NO.	SIZE
Tony Kao	11/13/12	1 : 1		A4
		SHEET NO.	PART NO.	VER
		1 of 1		R

ITEM NO.	DESCRIPTION	DRAWN	DATE