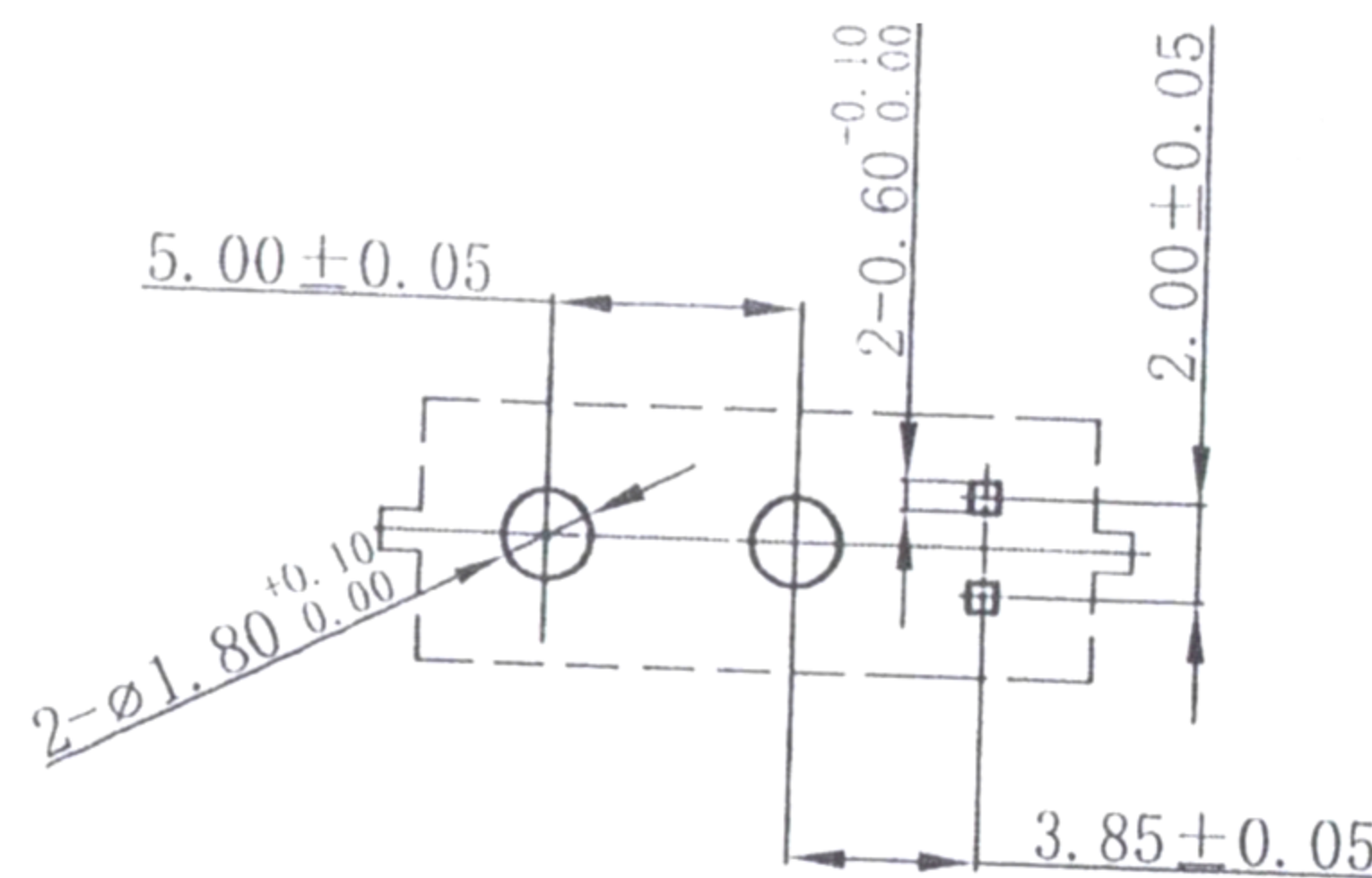
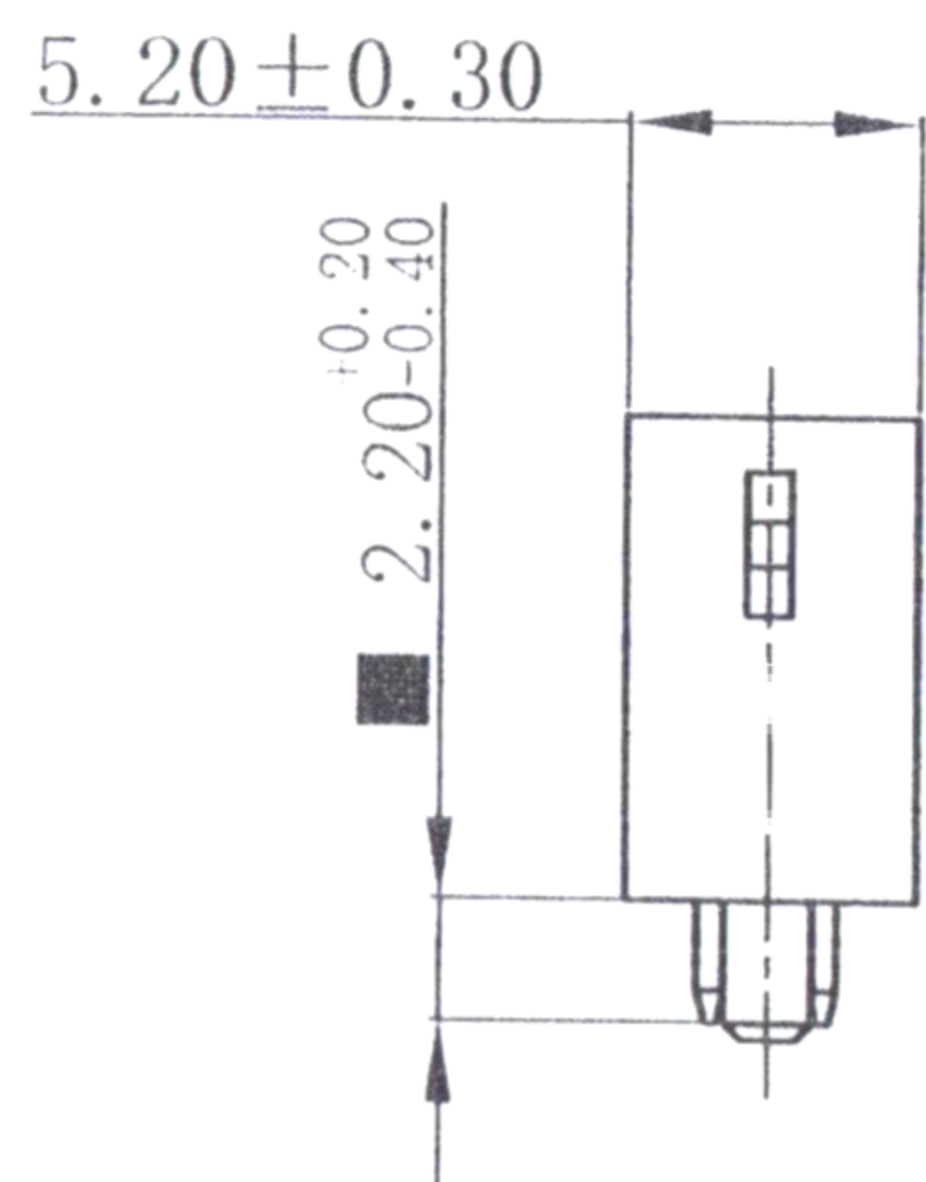


PCB LAYOUT



航模连接器

电气特性

额定电流: 15A

信号针: 1A

耐电压: 500V DC

接触电阻 ≤ 1.2mΩ

绝缘电阻 ≥ 2000MΩ

瞬时电流: &A1min < 80C 30A

温升: 15A 4h < 60C

爬电距离: 1.5mm

4	更新材質	Jack	050420
3	更新尺寸	Jack	121119
2	更新尺寸標示位置	Jack	082719
1	更新尺寸	Jack	080519
ITEM NO.	DESCRIPTION	DRAWN	DATE

广东科斯达电子科技有限公司
KSDKG Guangdong Keside Electronic Technology Co., Ltd.

TOLERANCE UNLESS OTHERWISE STATED:
Up to 5 ±0.2
Above 5 ~ 15 ±0.3
Above 15 ~ 30 ±0.4
Above 30 ~ 50 ±0.5
Angle ±0.3°

3RD. ANGEL'S

UNITS MM

DRAWN BY:	DATE	MAT'L	TITLE	JACK
Ming Ming Zou	6/8/23		JACK	
CHECKED BY:	DATE	FINISH	MODLE	TX connector
Ning Ning Su	6/8/23			
APPROVED BY:	DATE	SCALE	DWG NO.	KSD-TX-30LX-G
Jia Xiang	6/8/23	1:1		
SHEET NO.	1 of 1	PART NO.		

SIZE	A4
VER	R4