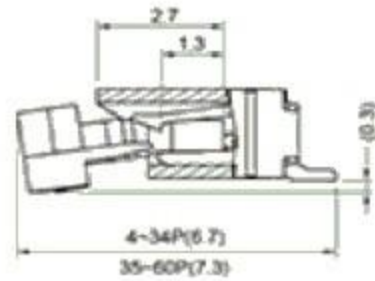
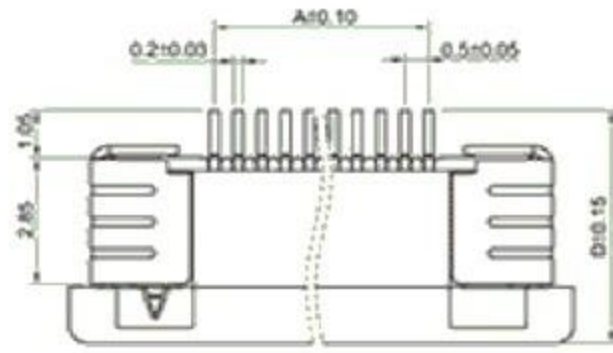
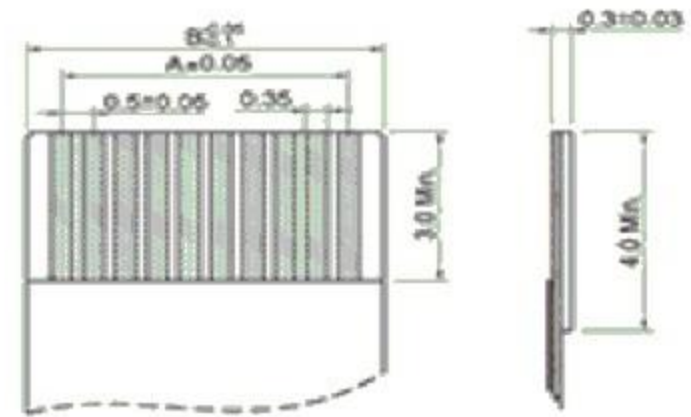


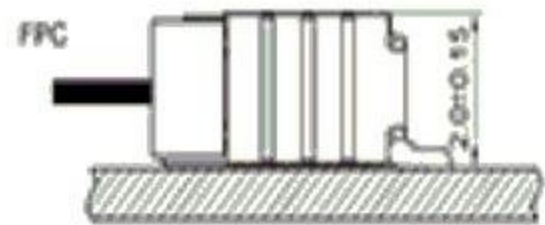
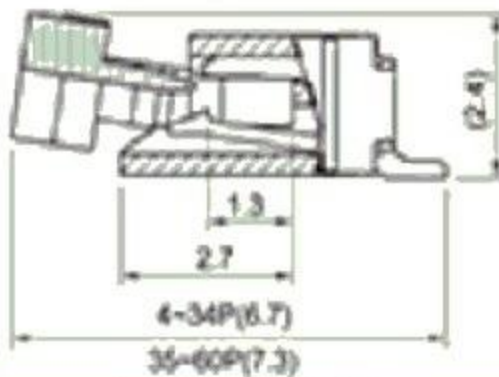
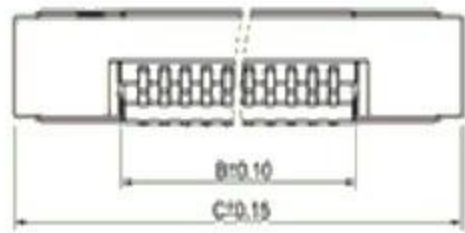
REV.	ECO NO.	DATE	SIGN	DESCRIPTION
A		2009.07.01		NEW DRAWING



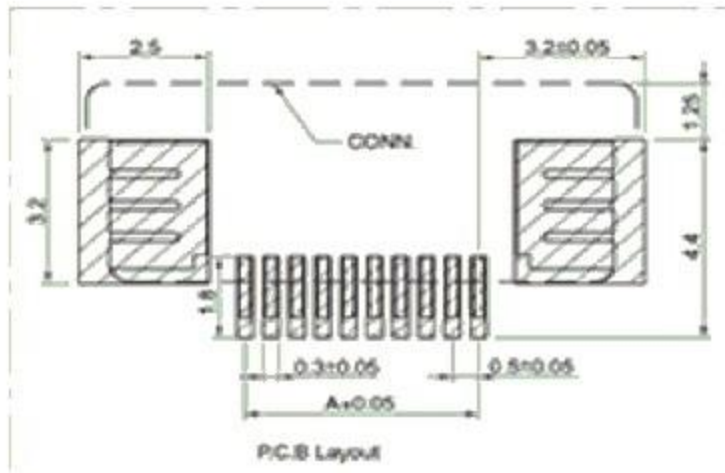
上接触 Upper contact



Applicable Flat Cable



C KT	尺寸 Size(mm)			
	A	B	C	D
4	1.50	2.56	7.60	5.20
5	2.00	3.06	8.10	
6	2.50	3.56	8.60	
8	3.50	4.56	9.60	
10	4.50	5.56	10.60	
12	5.50	6.56	11.60	
15	7.00	8.06	13.10	
16	7.50	8.56	13.60	
18	8.50	9.56	14.60	
20	9.50	10.56	15.60	
24	11.50	12.56	17.60	
28	13.50	14.56	19.60	
30	14.50	15.56	20.60	
34	16.50	17.56	22.60	
40	19.50	20.56	25.60	
50	24.50	25.56	30.60	
56	27.50	28.56	33.60	
60	29.50	30.56	35.60	
			5.75	



PCB Layout

TOLERANCE UNLESS SPECIFIED	
LINEAR	ANGLE
.X ±0.25	X° ±2°
.XX ±0.15	.X° ±2°
.XXX ±0.10	.XX° ±---

DATE 2009.07.01	DAR. BY	MATERIAL ---
SCALE 1/1	CHK. BY	FINISH ---
UNIT mm	APP. BY	PART NO. ---

廣東科斯達電子科技有限公司



TITLE: FPC 0.5Pitch 1.5H掀蓋式 connector
DWG NO.

REV. A