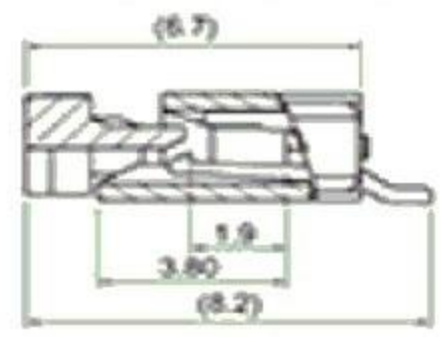
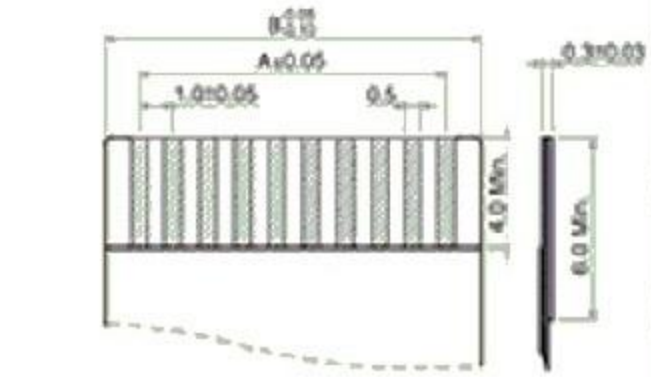
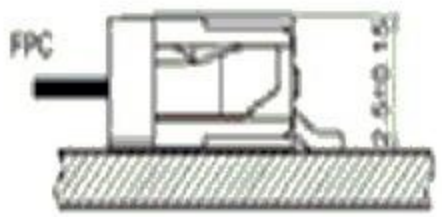
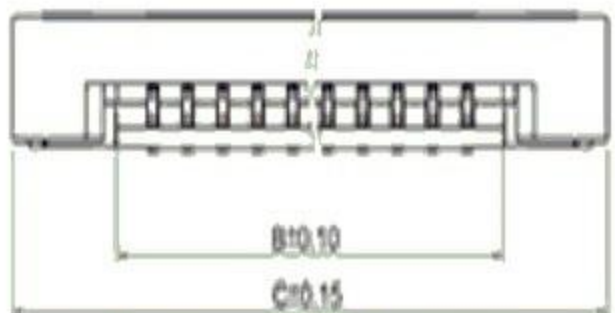


上接触 Upper contact

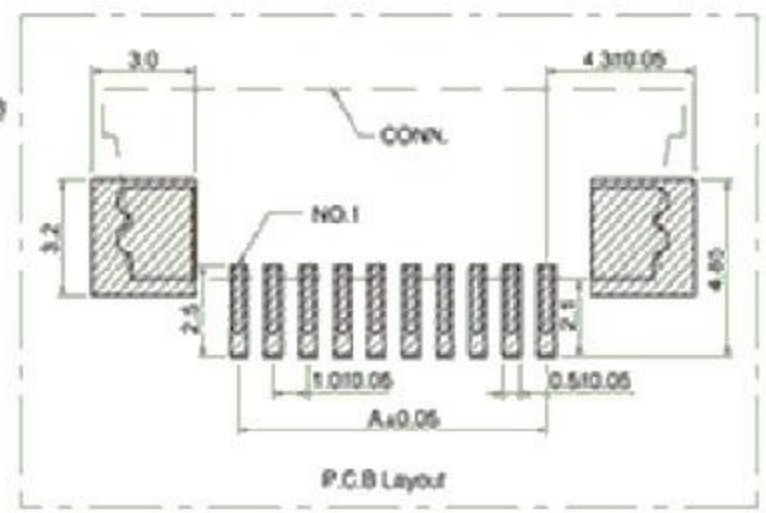
REV.	ECO NO.	DATE	SIGN	DESCRIPTION
A		2009.07.01		NEW DRAWING



下接触 Lower contact



Applicable Flat Cable



P.C.B Layout

CKT	F.C.P Size(mm)		
	A	B	C
4	3.00	5.03	11.00
5	4.00	6.03	12.00
6	5.00	7.03	13.00
7	6.00	8.03	14.00
8	7.00	9.03	15.00
10	9.00	11.03	17.00
12	11.00	13.03	19.00
16	15.00	17.03	23.00
20	19.00	21.03	27.00
24	23.00	25.03	31.00
28	27.00	29.03	35.00
30	29.00	31.03	37.00
32	31.00	33.03	39.00
36	35.00	37.03	43.00
40	39.00	41.03	47.00

TOLERANCE UNLESS SPECIFIED		DATE 2009.07.01	DAR. BY	MATERIAL ---
LINEAR	ANGLE			
.X ±0.25	X° ±2°	SCALE 1/1	CHK. BY	FINISH ---
.XX ±0.15	.X° ±2°	UNIT mm	APP. BY	PART NO. ---
.XXX ±0.10	.XX° ±---			

廣東科斯達電子科技有限公司

	TITLE: FPC 0.5Pitch 1.5H掀蓋式 connector	REV. A
	DWG NO.	A