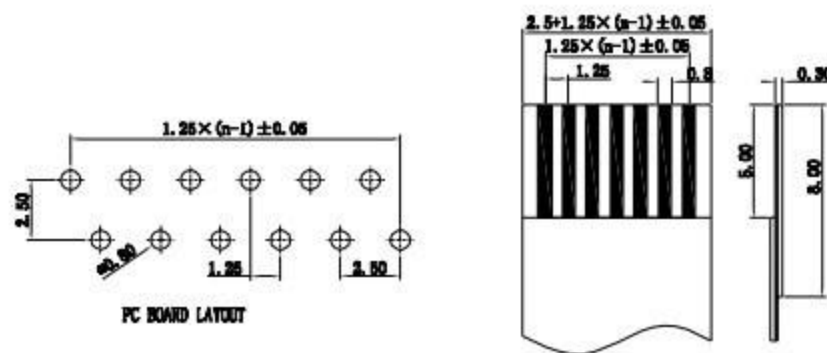
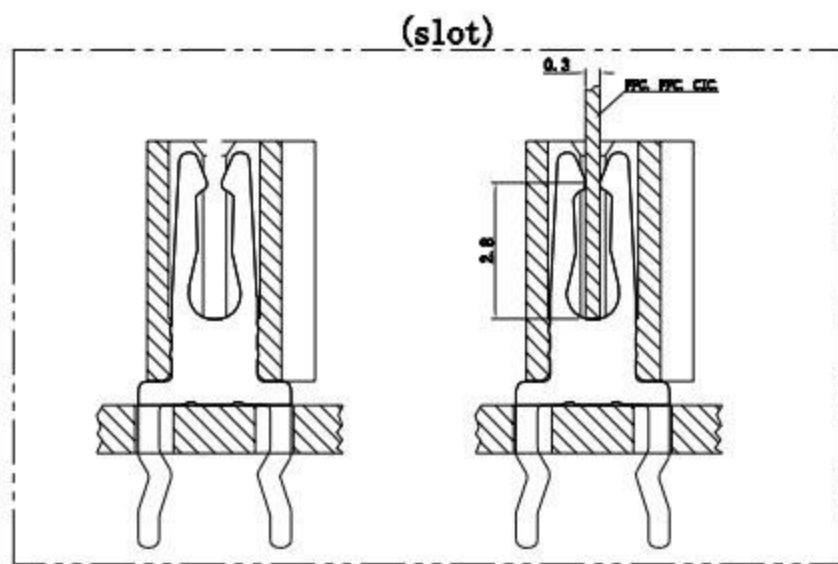


**Electrical**

Voltage: 50 V AC(rms)/DC  
 Current: 0.5 A AC(rms)/DC  
 Contact Resistance: 40 mΩ max(initial)  
 Dielectric Withstanding Voltage: 200 V AC/rms  
 Insulation Resistance: 800 MΩ min  
 Operating Temp: -25° C ~ +85° C



UNITS mm  
 MAT'L 廣東科斯達電子科技有限公司

X ± 0.3	X' ± 5'
.X ± 0.25	.X' ± 2'
.XX ± 0.20	.XX' ± 1'
.XXX ± 0.10	.XXX' ± 0.5'

PART NO.(INTENDED USE)	TITLE:
APPD:	1.25双面接直插FPC连接器
CHKD:	DWG NO.:
DR: HU 2016.09.28	

	SCALE	SHEET	REV.
	1/1	1/1	A