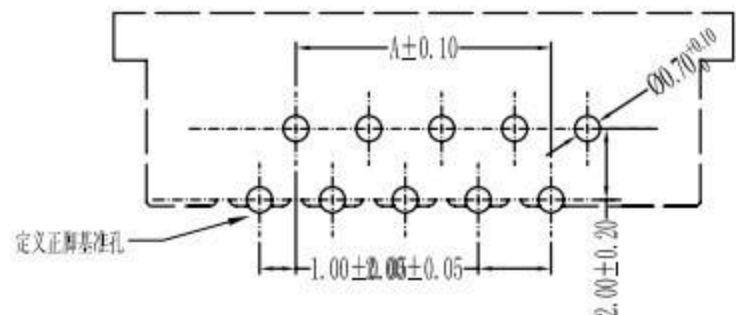
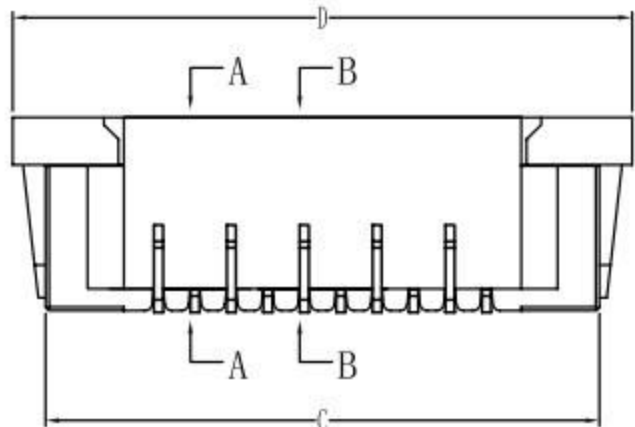
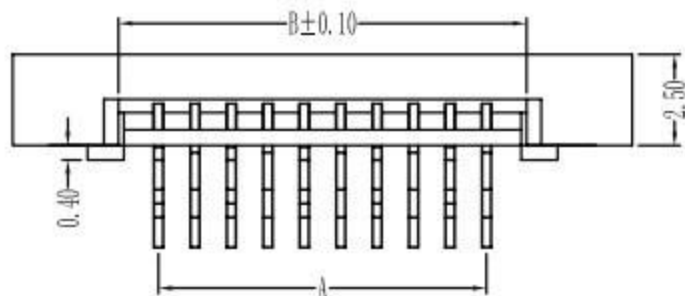


# 1.0mm PITCH FPC CONNECTORS

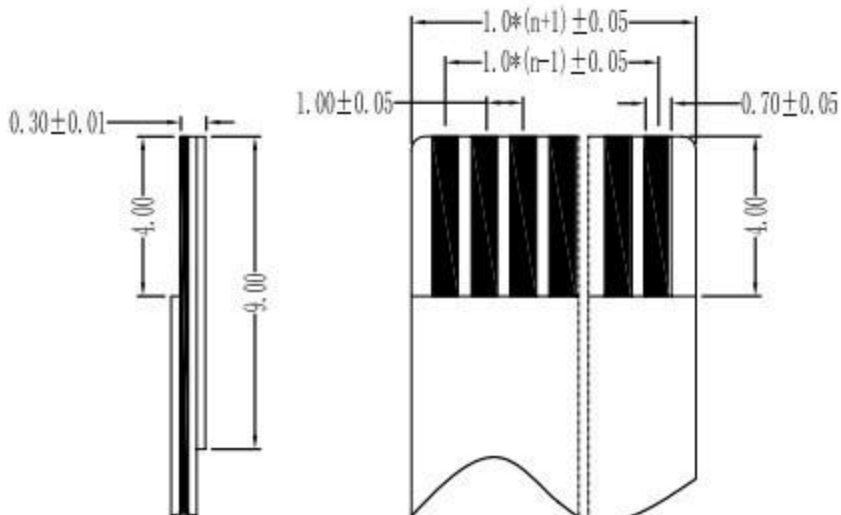
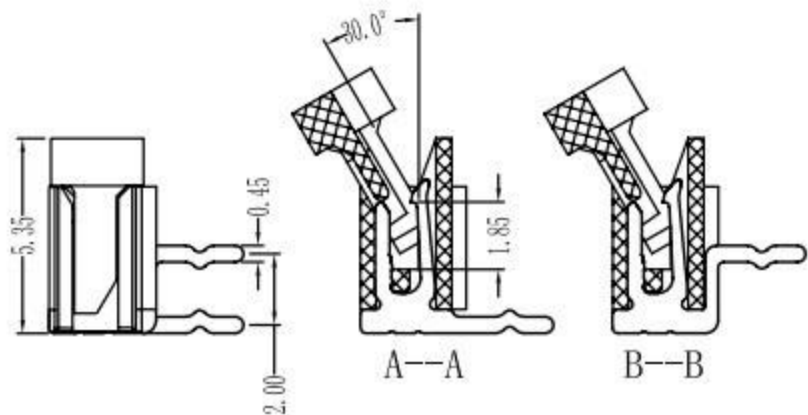


PCB Layout

性能:

额定电流: 0.5A  
 额定电压: 50V  
 耐电压: 500V  
 接触电阻:  $\leq 20m\Omega$   
 绝缘电阻: 800M $\Omega$   
 工作温度: -20°C ~ +85°C

塑件(材质): LCP, UL94V-0  
 锁扣(材质): LCP, UL94V-0  
 插簧(材质): 磷青铜, 镀锡/镀金



适用扁平电缆

孔位	A	B	C	D
2	1	3.15	7.2	9.1
3	2	4.15	8.2	10.1
4	3	5.15	9.2	11.1
5	4	6.15	10.2	12.1
6	5	7.15	11.2	13.1
7	6	8.15	12.2	14.1
8	7	9.15	13.2	15.1
9	8	10.15	14.2	16.1
10	9	11.15	15.2	17.1
11	10	12.15	16.2	18.1
12	11	13.15	17.2	19.1
13	12	14.15	18.2	20.1
14	13	15.15	19.2	21.1
15	14	16.15	20.2	22.1
16	15	17.15	21.2	23.1
17	16	18.15	22.2	24.1
18	17	19.15	23.2	25.1
19	18	20.15	24.2	26.1
20	19	21.15	25.2	27.1
21	20	22.15	26.2	28.1
22	21	23.15	27.2	29.1
23	22	24.15	28.2	30.1
24	23	25.15	29.2	31.1
25	24	26.15	30.2	32.1
26	25	27.15	31.2	33.1
27	26	28.15	32.2	34.1
28	27	29.15	33.2	35.1
29	28	30.15	34.2	36.1
30	29	31.15	35.2	37.1
31	30	32.15	36.2	38.1
32	31	33.15	37.2	39.1
33	32	34.15	38.2	40.1
34	33	35.15	39.2	41.1
35	34	36.15	40.2	42.1

X. ± 0.3	X.° ± 5°	UNITS mm
.X ± 0.25	.X° ± 2°	MAT'L
.XX ± 0.20	.XX° ± 1°	FINISH
.XXX ± 0.10	.XXX° ± 0.5°	
THESE DRAWINGS AND SPECIFICATIONS ARE THE PROPERTY OF DE RUI ELECTRON FACTORY AND SHALL NOT BE REPRODUCED, COPIED OR USED IN ANY MANNER WITHOUT THE PRIOR WRITTEN CONSENT OF DE RUI ELECTRON FACTORY		Q'TY

廣東科斯達電子科技有限公司

PART NO. (INTENDED USE) 1.0K-J-nPW	TITLE: 1.0mm FPC (J型)弯插式(正脚)
APPD:	DWG NO.:
CHKD:	SCALE SHEET REV. 1/1 1/1 A
DR: YLZ 2011.09.28	