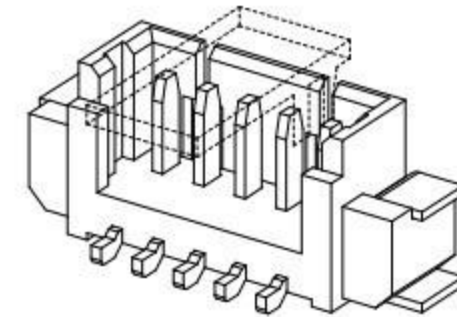


P.C.B LAYOUT MOUNTING PATTERN



**SPECIFICATIONS**

Current rating : 1.0A AC , DC

Voltage rating : 250V AC , DC

Temperature rating : -25°C ~ +85°C

Insulation resistance : 1000MΩ min.

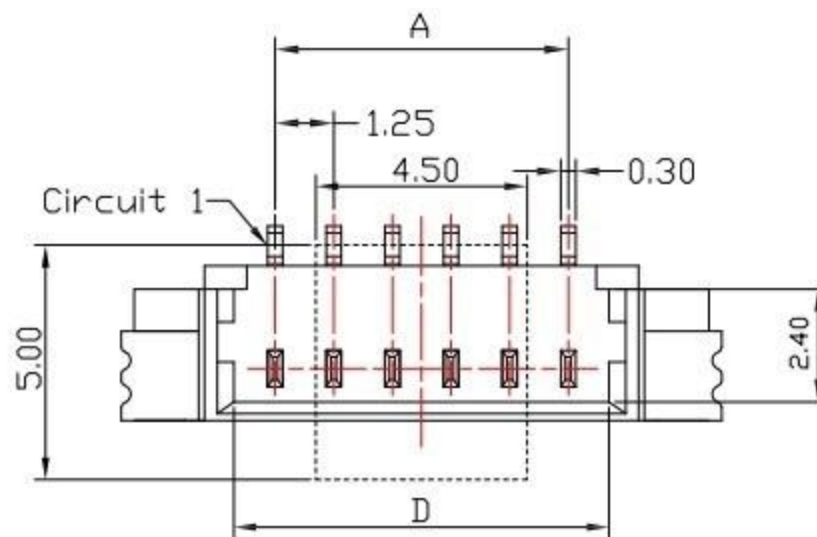
Withstand voltage : 500 AC / minute

Contact resistance : 20mΩ / Max

Material:

Housing : Nylon 46 or LCP, UL94V-0

Contact : Brass / Tin over Nickel

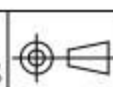


PORT NO	A	B	C	D
02P	1.25	4.25	7.35	3.05
03P	2.50	5.50	8.60	4.30
04P	3.75	7.75	9.85	5.55
05P	5.00	8.00	11.10	6.80
06P	6.25	9.25	12.35	8.05
07P	7.50	10.50	13.60	9.30
08P	8.75	11.75	14.85	10.55
09P	10.00	13.00	16.10	11.80
10P	11.25	14.25	17.35	13.05
11P	12.50	15.50	18.60	14.30
12P	13.75	16.75	19.85	15.55
13P	15.00	18.00	21.10	16.80
14P	16.25	19.25	22.35	18.05
15P	17.50	20.50	23.60	19.30
16P	18.75	21.75	24.85	20.55

**廣東科斯達電子科技有限公司**

TOLERANCE UNLESS OTHERWISE STATED :  
 Up to 5 ±0.2  
 Above 5 ~ 15 ±0.3  
 Above 15 ~ 30 ±0.4  
 Above 30 ~ 50 ±0.5  
 Angle ±0.3

3RD. ANGEL'S



UNITS MM

DRAWN BY:	DATE	MAT'L	TITLE	CONNECTOR
Jack Lu	01/06/16			
CHECKED BY:	DATE	FINISH	MODLE	WAFER P : 1.25mm SMT 180度
Jacky Chen	01/06/16			
APPROVED BY:	DATE	SCALE	DWG NO.	SIZE
Tony Kao	01/06/16	1 : 1		A4
		SHEET NO.	PART NO.	VER
		1 of 1		R1

ITEM NO	DESCRIPTION	DRAWN	DATE
1	更新圖面	Jack	010616