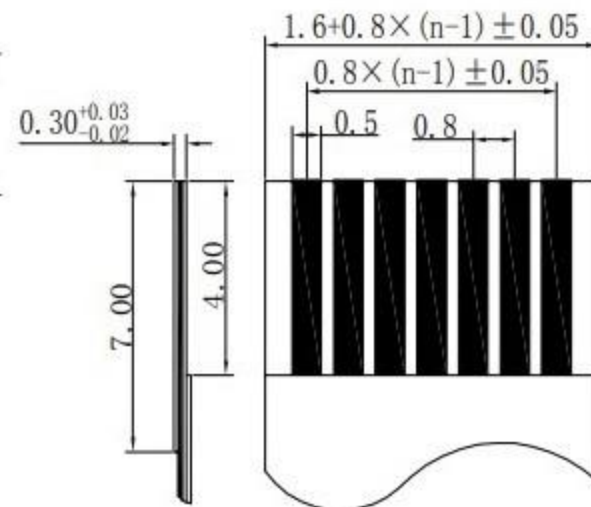
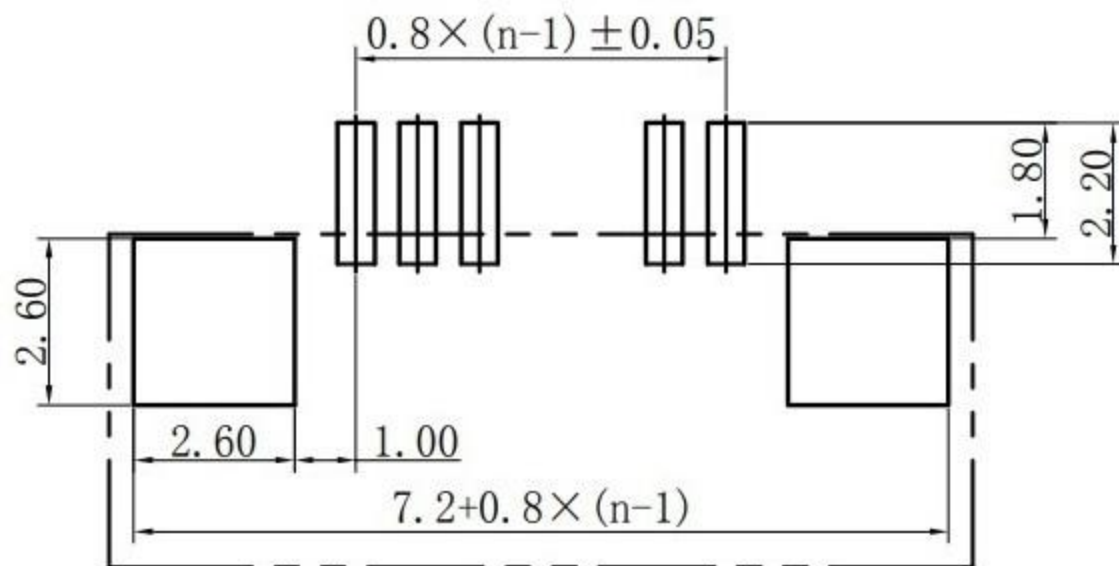


Specifications:
 Housing: LCP UL94-V0 Color: Nature
 Cove: LCP UL94-V0 Color: Black
 Contact: Phosphor Bronze
 Operating Voltage: 50V AC/DC
 Current Rating: 0.5A AC/DC
 Withstand Voltage: 250V AC/Minute
 Contact Resistance: $\leq 20m\Omega$
 Insulation resistance: $\geq 100M\Omega$
 Operating Temperature: $-25^{\circ}C \sim +85^{\circ}C$

| NO. of Contacts (n) | Dimensions | | |
|---------------------|------------|------|-------|
| | A | B | C |
| 004 | 4.1 | 2.4 | 9.95 |
| 005 | 4.9 | 3.2 | 10.75 |
| 006 | 5.7 | 4.0 | 11.55 |
| 007 | 6.5 | 4.8 | 12.35 |
| 008 | 7.3 | 5.6 | 13.15 |
| 009 | 8.1 | 6.4 | 13.95 |
| 010 | 8.9 | 7.2 | 14.75 |
| 011 | 9.7 | 8.0 | 15.55 |
| 012 | 10.5 | 8.8 | 16.35 |
| 013 | 11.3 | 9.6 | 17.15 |
| 014 | 12.1 | 10.4 | 17.95 |
| 015 | 12.9 | 11.2 | 18.75 |
| 016 | 13.7 | 12.0 | 19.55 |
| 017 | 14.5 | 12.8 | 20.35 |
| 018 | 15.3 | 13.6 | 21.15 |
| 019 | 16.1 | 14.4 | 21.95 |
| 020 | 16.9 | 15.2 | 22.75 |
| 021 | 17.7 | 16.0 | 23.55 |
| 022 | 18.5 | 16.8 | 24.35 |
| 023 | 19.3 | 17.6 | 25.15 |
| 024 | 20.1 | 18.4 | 25.95 |
| 025 | 20.9 | 19.2 | 26.75 |
| 026 | 21.7 | 20.0 | 27.55 |
| 027 | 22.5 | 20.8 | 28.35 |
| 028 | 23.3 | 21.6 | 29.15 |
| 029 | 24.1 | 22.4 | 29.95 |
| 030 | 24.9 | 23.2 | 30.75 |
| 031 | 25.7 | 24.0 | 31.55 |
| 032 | 26.5 | 24.8 | 32.35 |
| 033 | 27.3 | 25.6 | 33.15 |
| 034 | 28.1 | 26.4 | 33.95 |
| 035 | 28.9 | 27.2 | 34.75 |
| 036 | 29.7 | 28.0 | 35.55 |
| 037 | 30.5 | 28.8 | 36.35 |
| 038 | 31.3 | 29.6 | 37.15 |



PC BOARD LAYOUT

廣東科斯達電子科技有限公司

| | | |
|---|--|-----------|
| 檢驗尺寸標示 SYMBOLS ① ② INDICATE CLASSIFICATION DIMENSION | 工程圖號 | 制圖 (DR) |
| ① MARK IS CRITICAL DIM. ② MARK IS MAJOR DIM. | 品名 | '08/5/16 |
| 表面處理 (FINISH) | FPC0.8mm -nP H2.5 上接半包 | 審核 (CHKD) |
| 比例 (SCALE) | TITLE | 核准 (APPD) |
| 1:1 | FPC0.8mm Pitch H2.5 ZIF FOR SMT (UPPER CONN) | Rigo Lu |
| 單位 (UNITS) | 張數 (SHEET) | SIZE |
| mm | 1 OF 1 | A4 |
| | REV | 0 |

| | | |
|------------------------------|------------|-----------------|
| 修改摘要 REVISION DESCRIPTION | 日期 DATE | 簽名 SIGNATURE |
| | | |