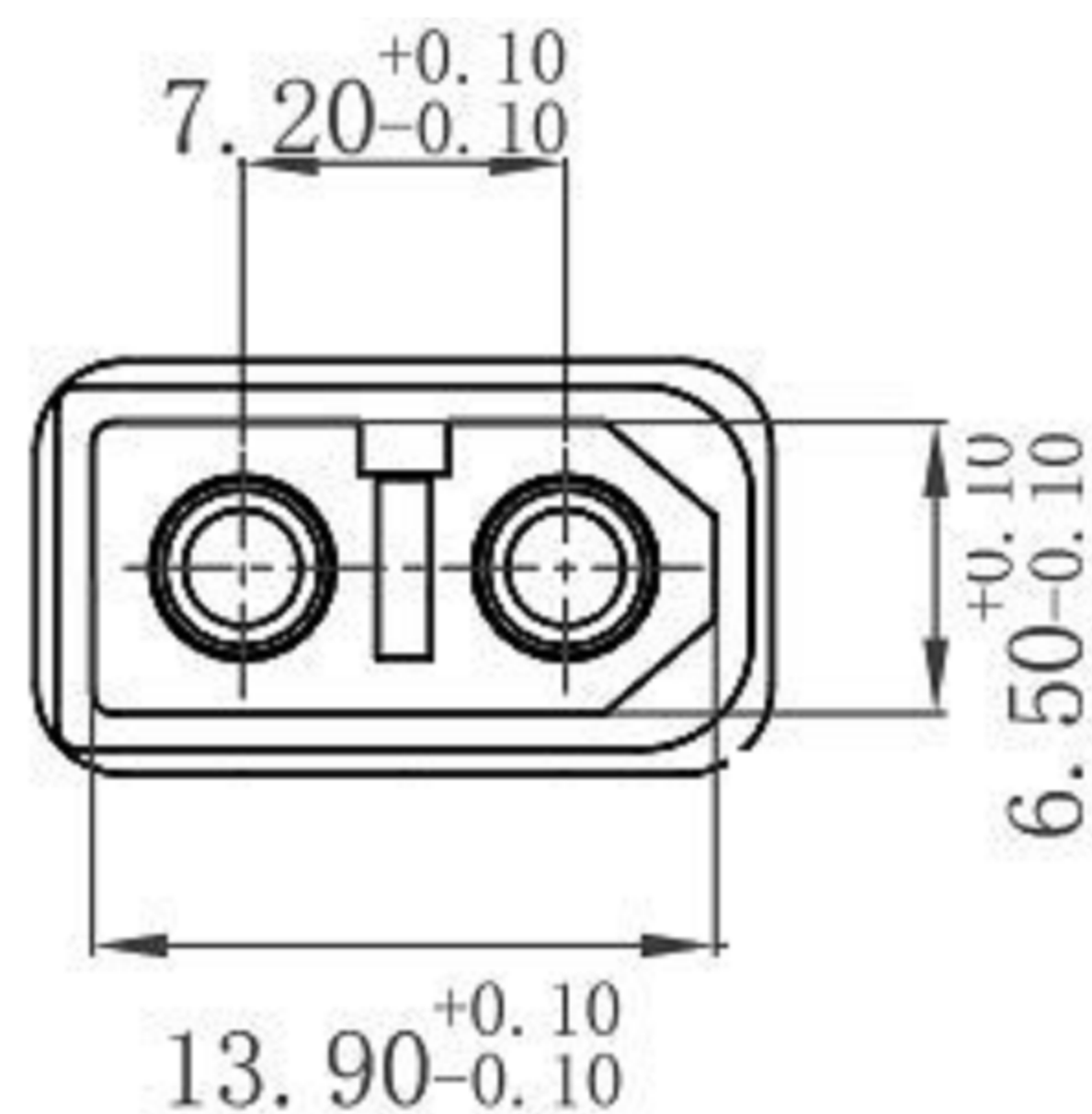
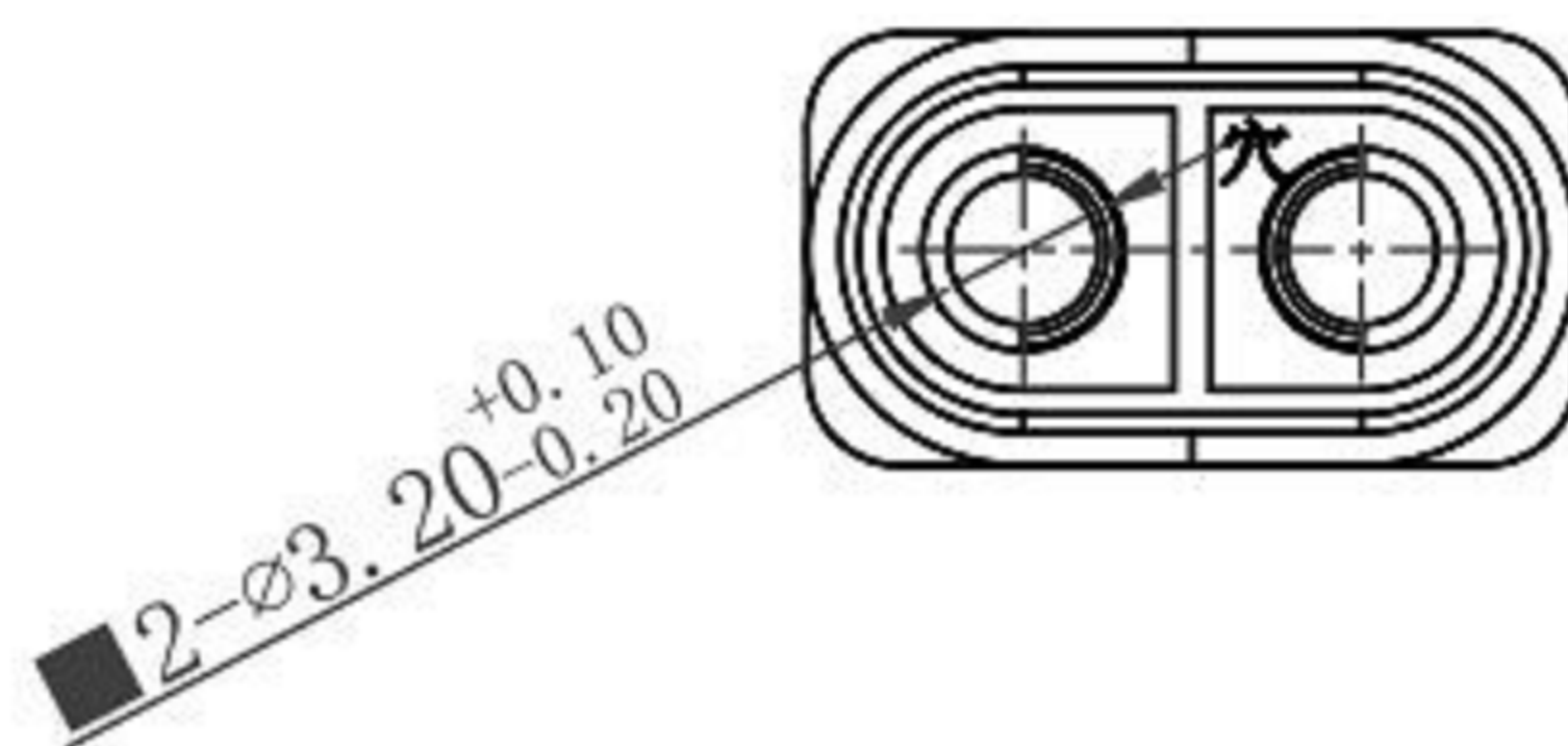
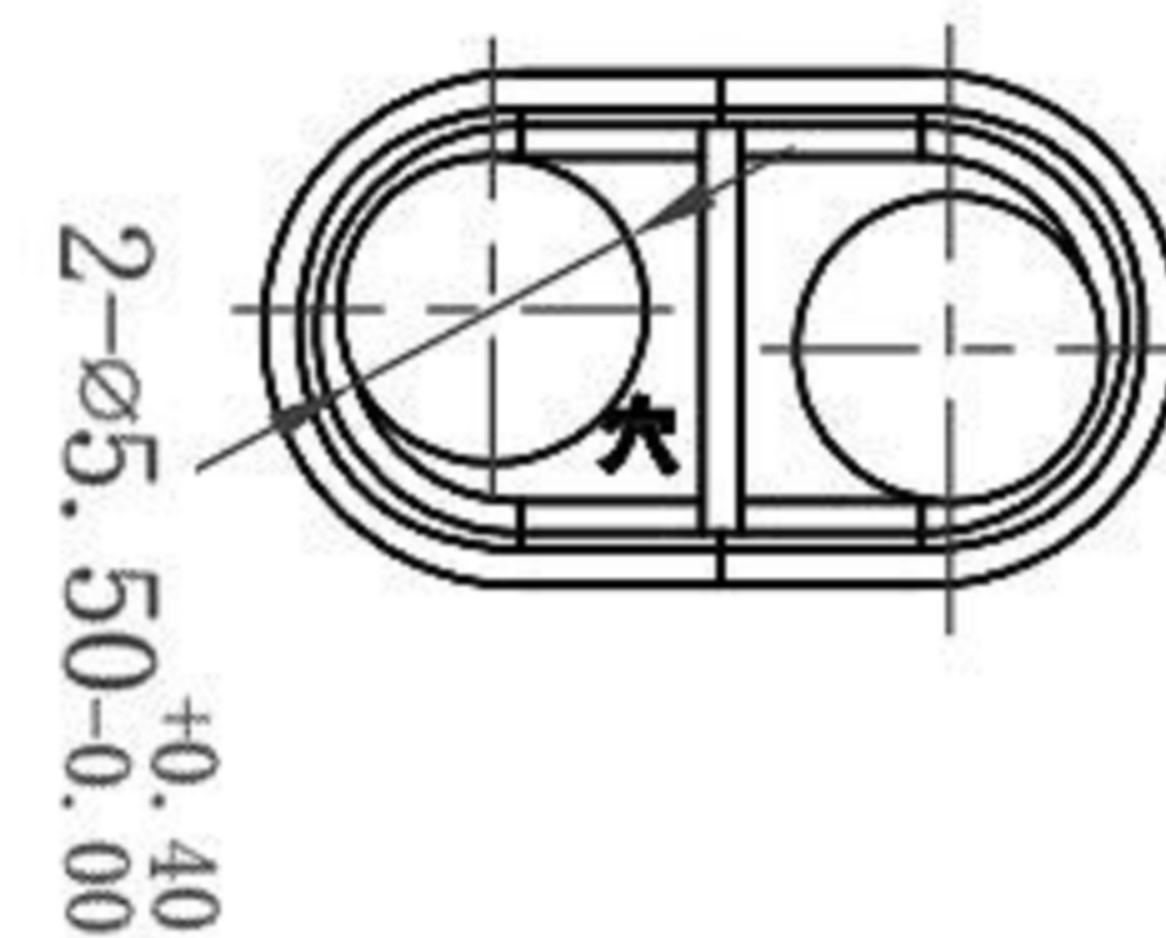
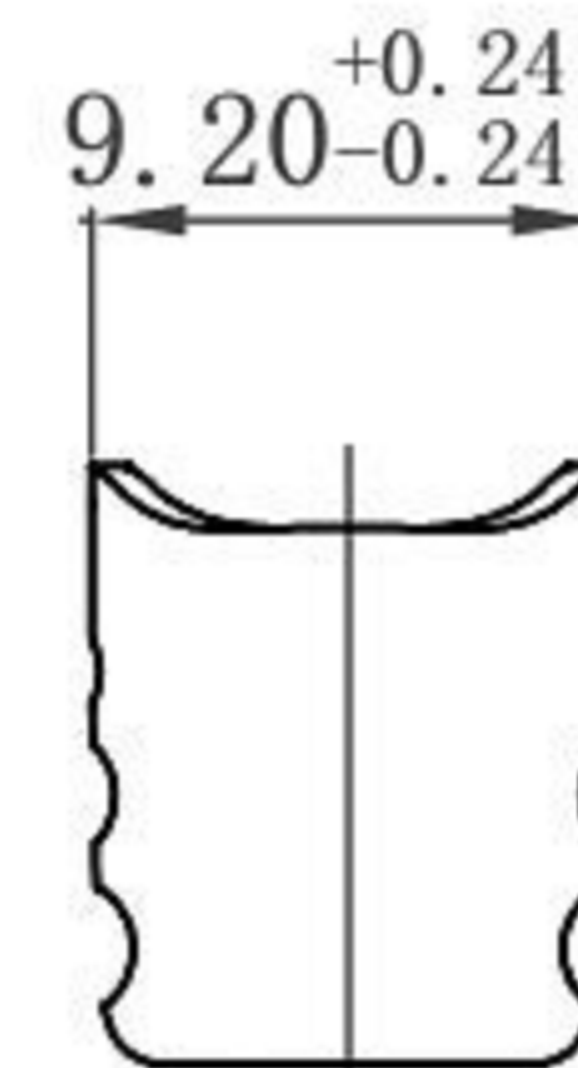
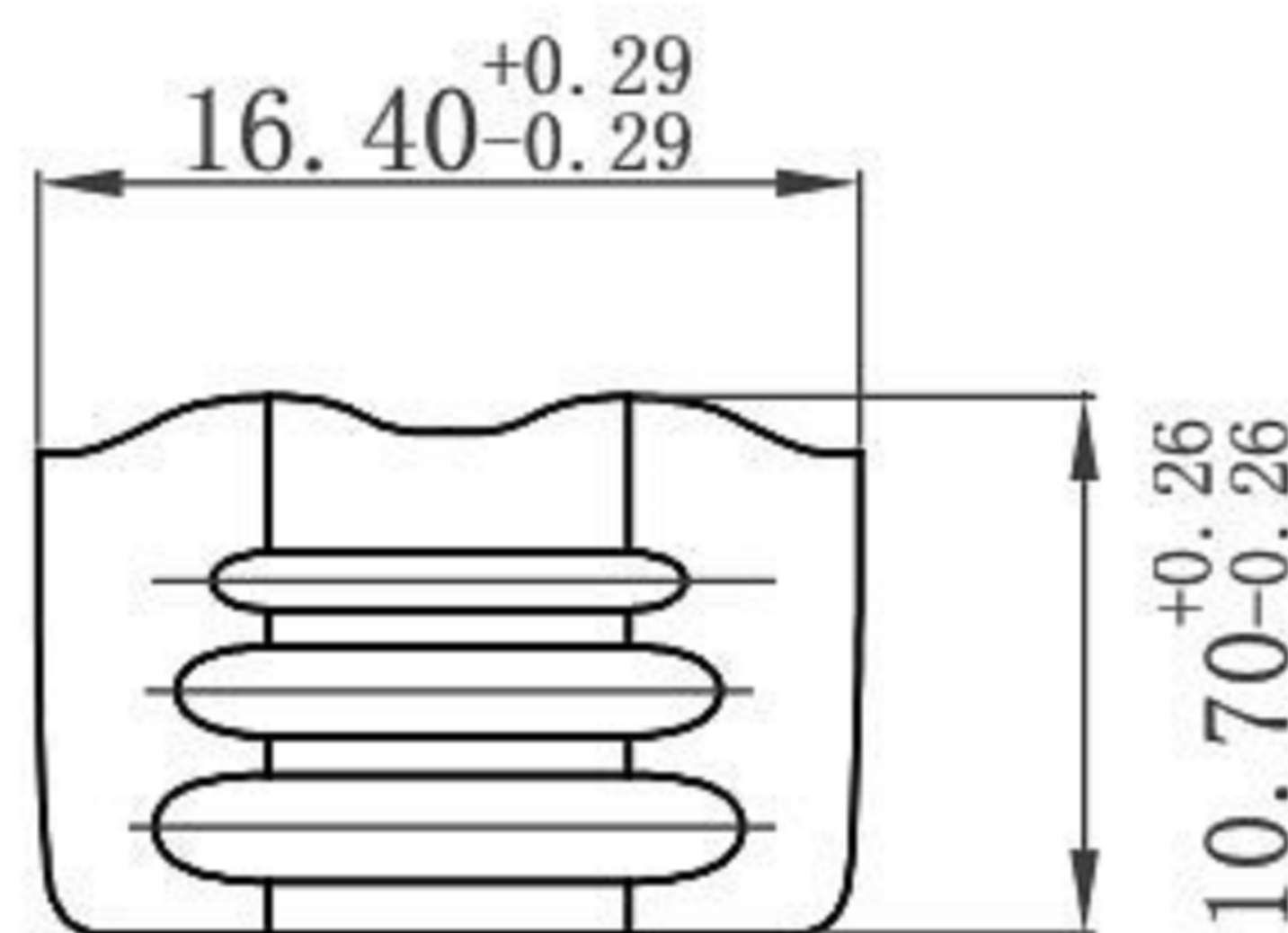
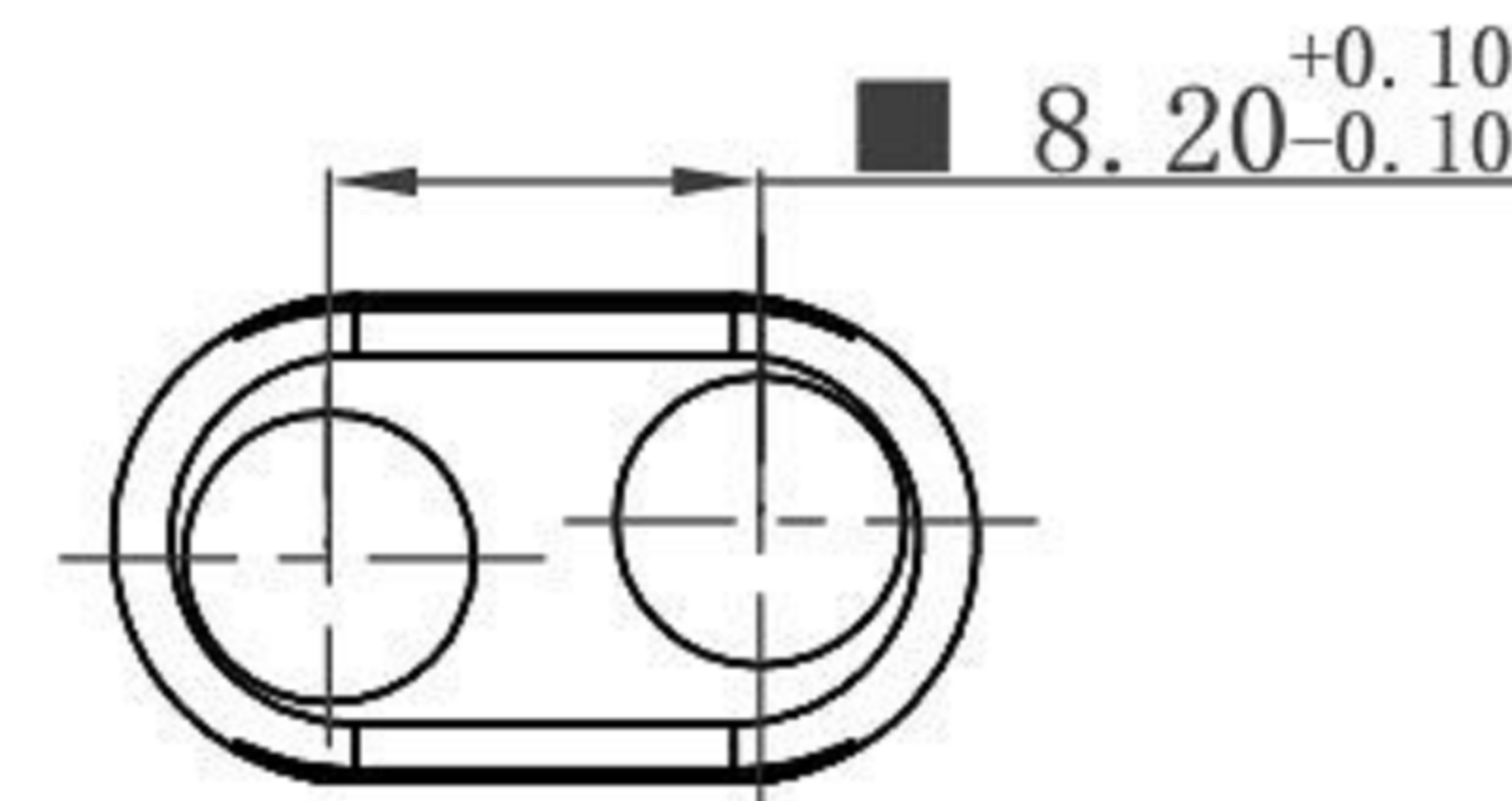


后盖



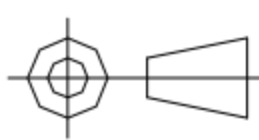
产品型号		GDTX60U-M/-F (UL认证)	
额定电流	30A	瞬间电流	60A
接触电阻	0.45mΩ	额定电压	DC500V
金属材质	铜镀金	绝缘材质	PA
工作温度	-20°C to 120°C	阻燃等级	UL94 V0
推荐线规	12AWG	推荐使用次数	100times

ITEM NO.	DESCRIPTION	DRAWN	DATE
4	更新材質	Jack	050420
3	更新尺寸	Jack	121119
2	更新尺寸標示位置	Jack	082719
1	更新尺寸	Jack	080519

**广东科斯达电子科技有限公司**  
KSDKG Guangdong Keside Electronic Technology Co., Ltd.

TOLERANCE UNLESS OTHERWISE STATED:  
 Up to 5 ±0.2  
 Above 5 ~ 15 ±0.3  
 Above 15 ~ 30 ±0.4  
 Above 30 ~ 50 ±0.5  
 Angle ±0.3°

3RD. ANGEL'S



UNITS MM

DRAWN BY:	DATE	MAT'L	TITLE	JACK
Ming Ming Zou	6/8/23			
CHECKED BY:	DATE	FINISH	MODLE	TX connector
Ning Ning Su	6/8/23			
APPROVED BY:	DATE	SCALE	DWG NO.	TX60 series
Jia Xiang	6/8/23	1:1		
		SHEET NO.	PART NO.	XT-60-ML
		1 of 1		

SIZE A4  
VER R4